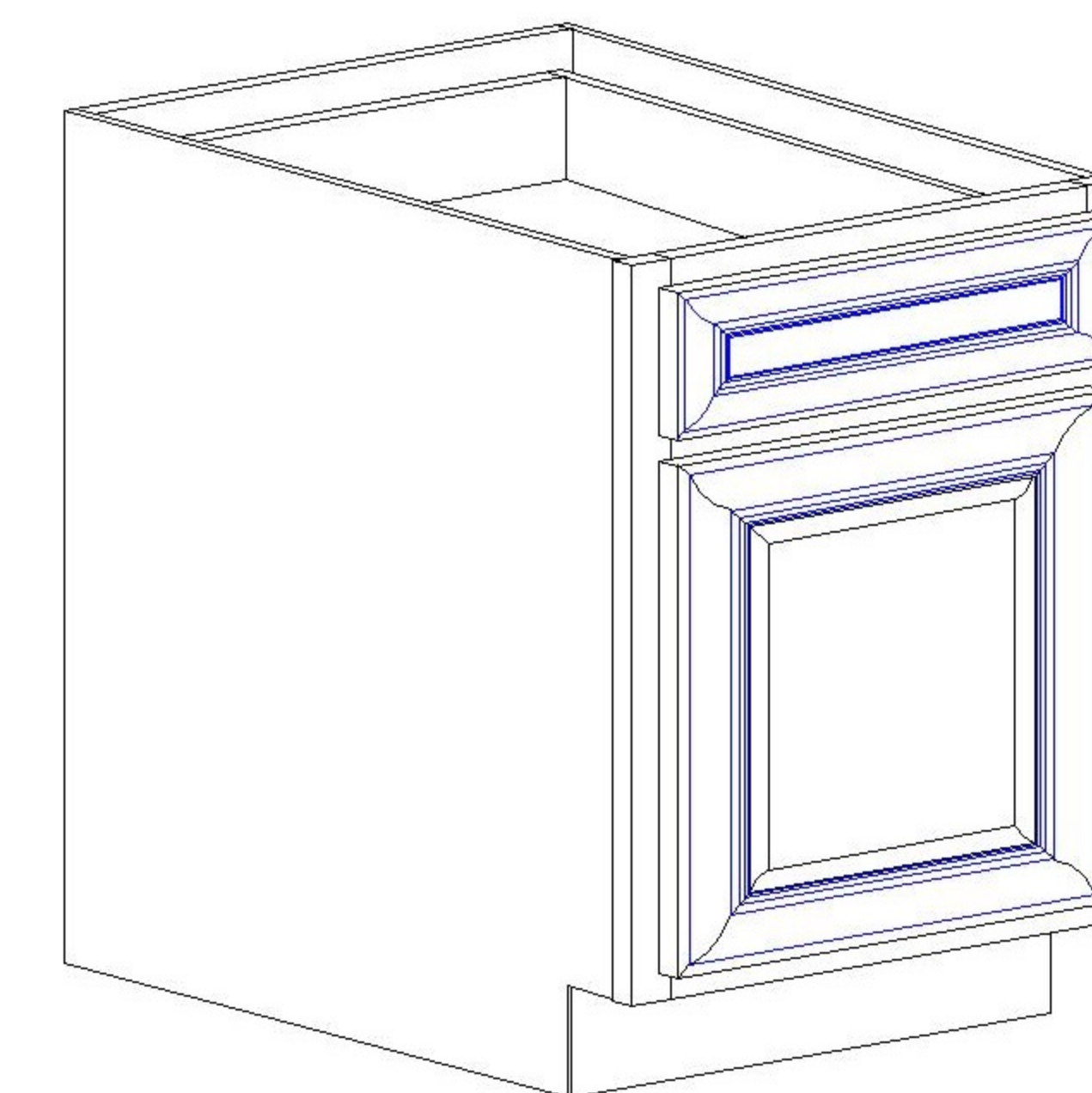
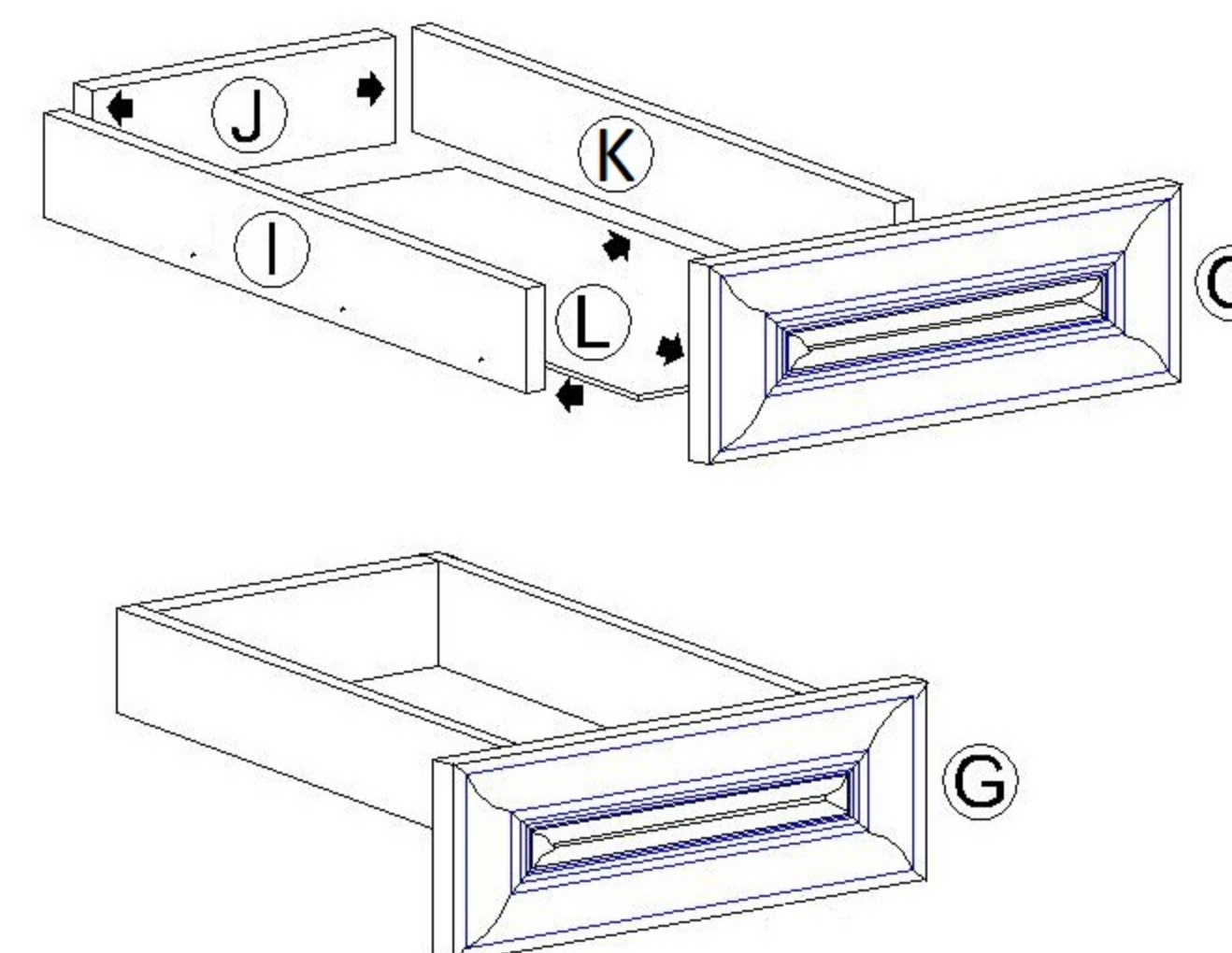
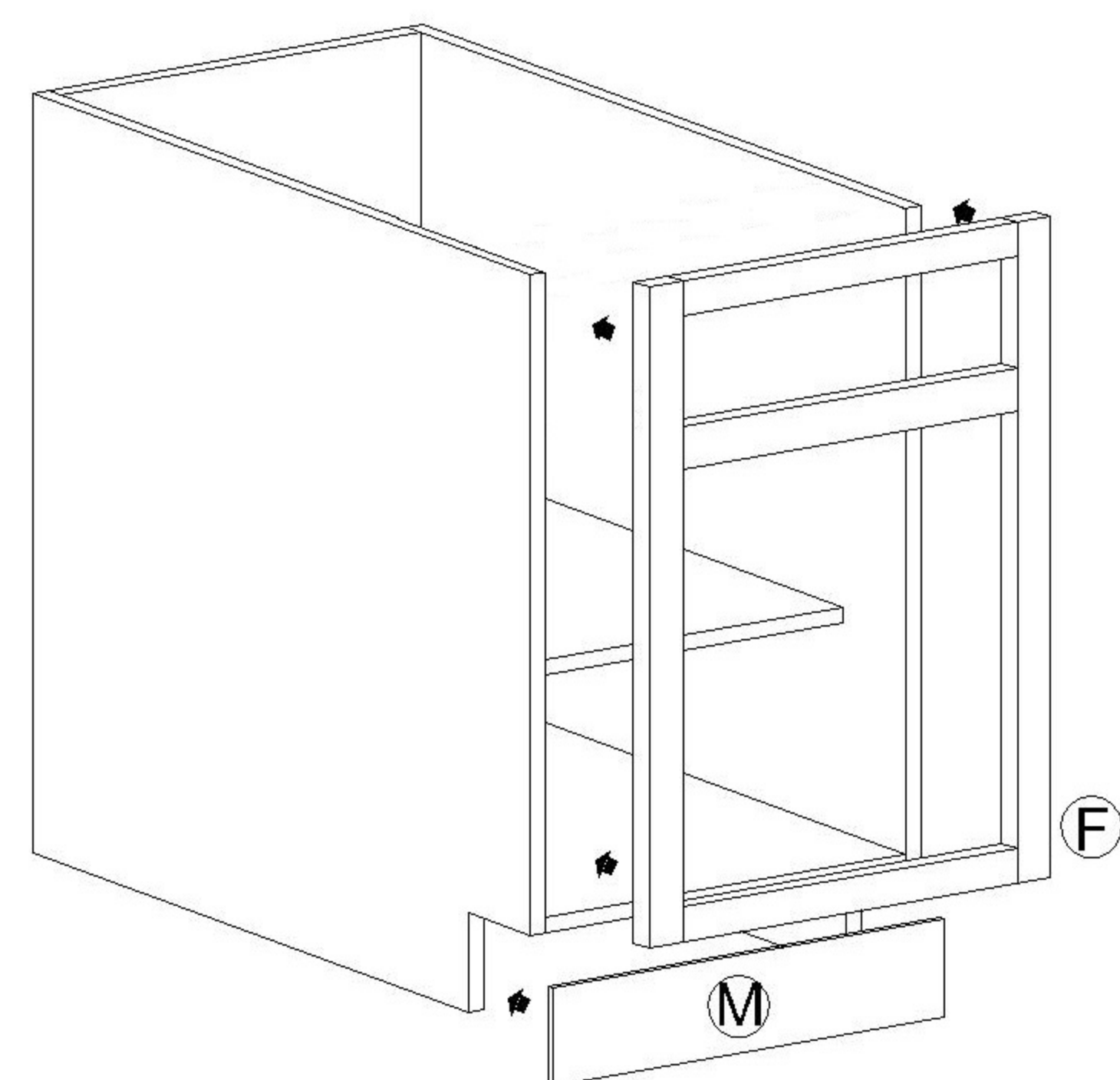
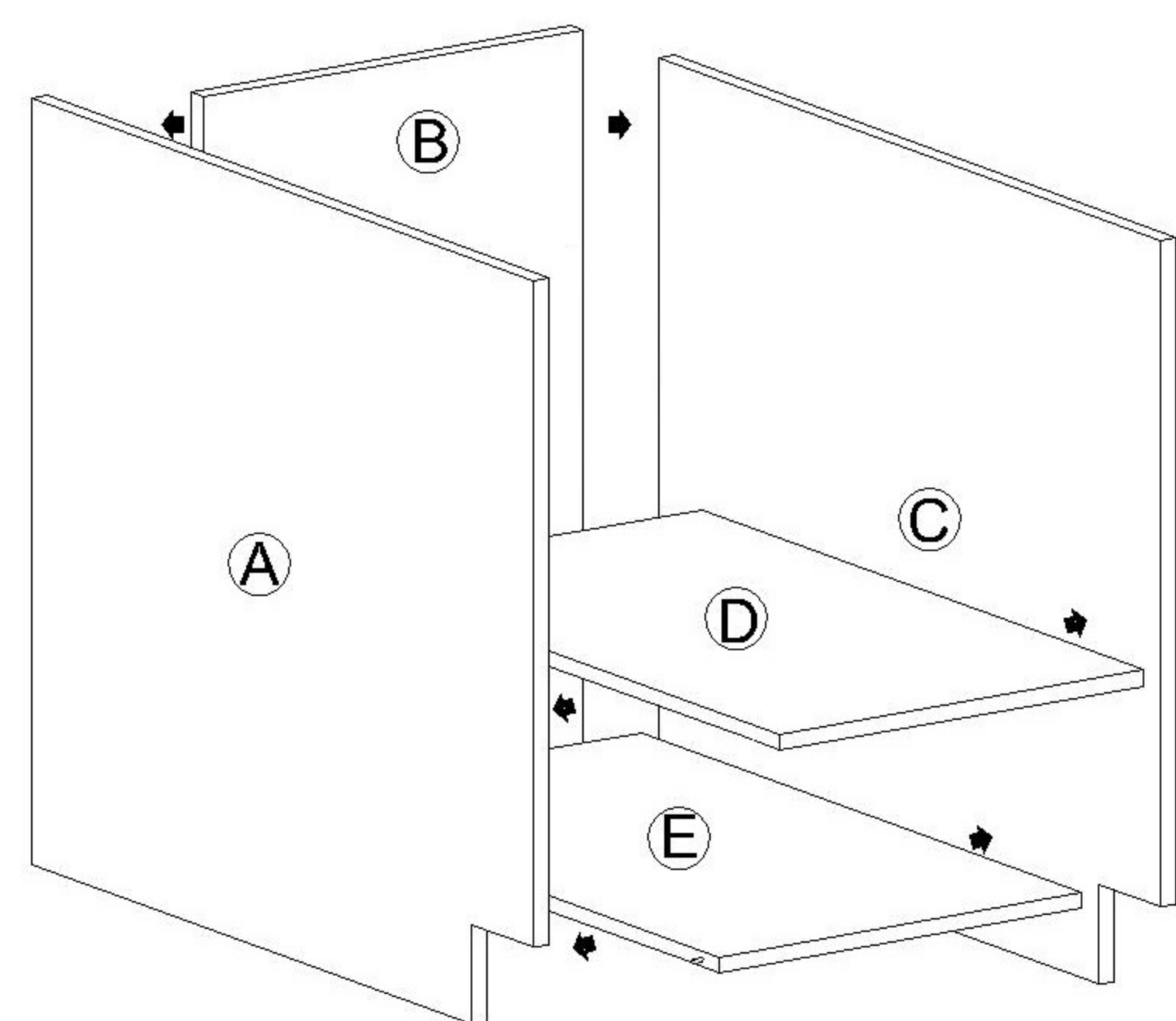
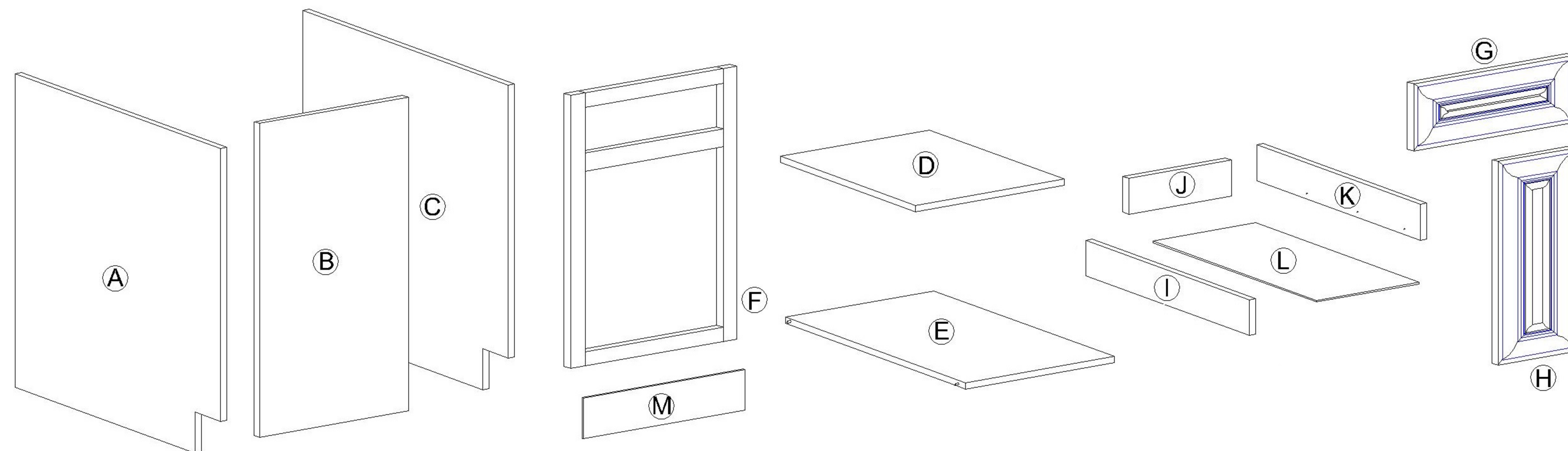


# Assembling Instructionong for Frame Base Cabinet - 1 Door - 1 Drawer

AVAILABLE TYPE: B09 B12 B15 B18 B21

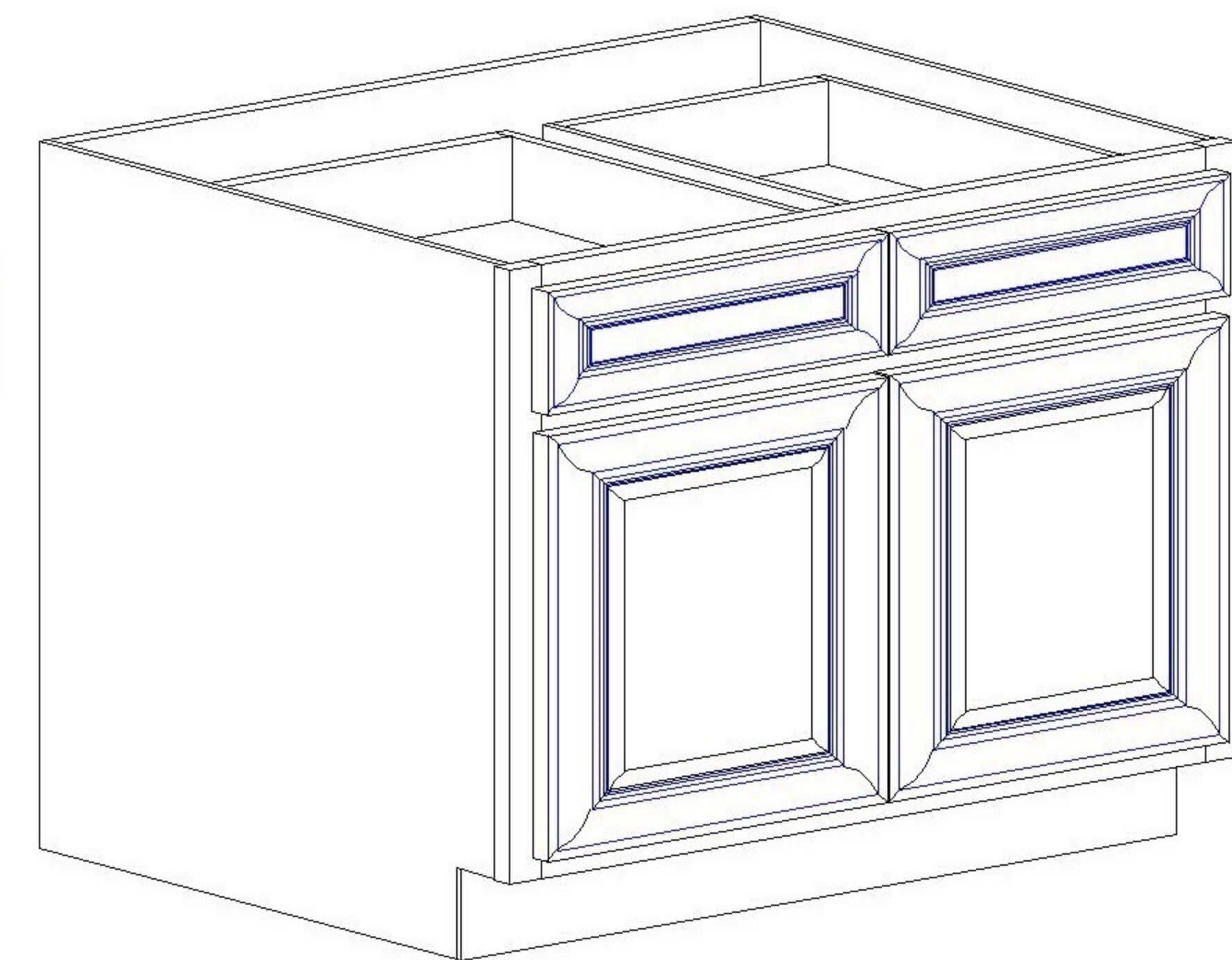
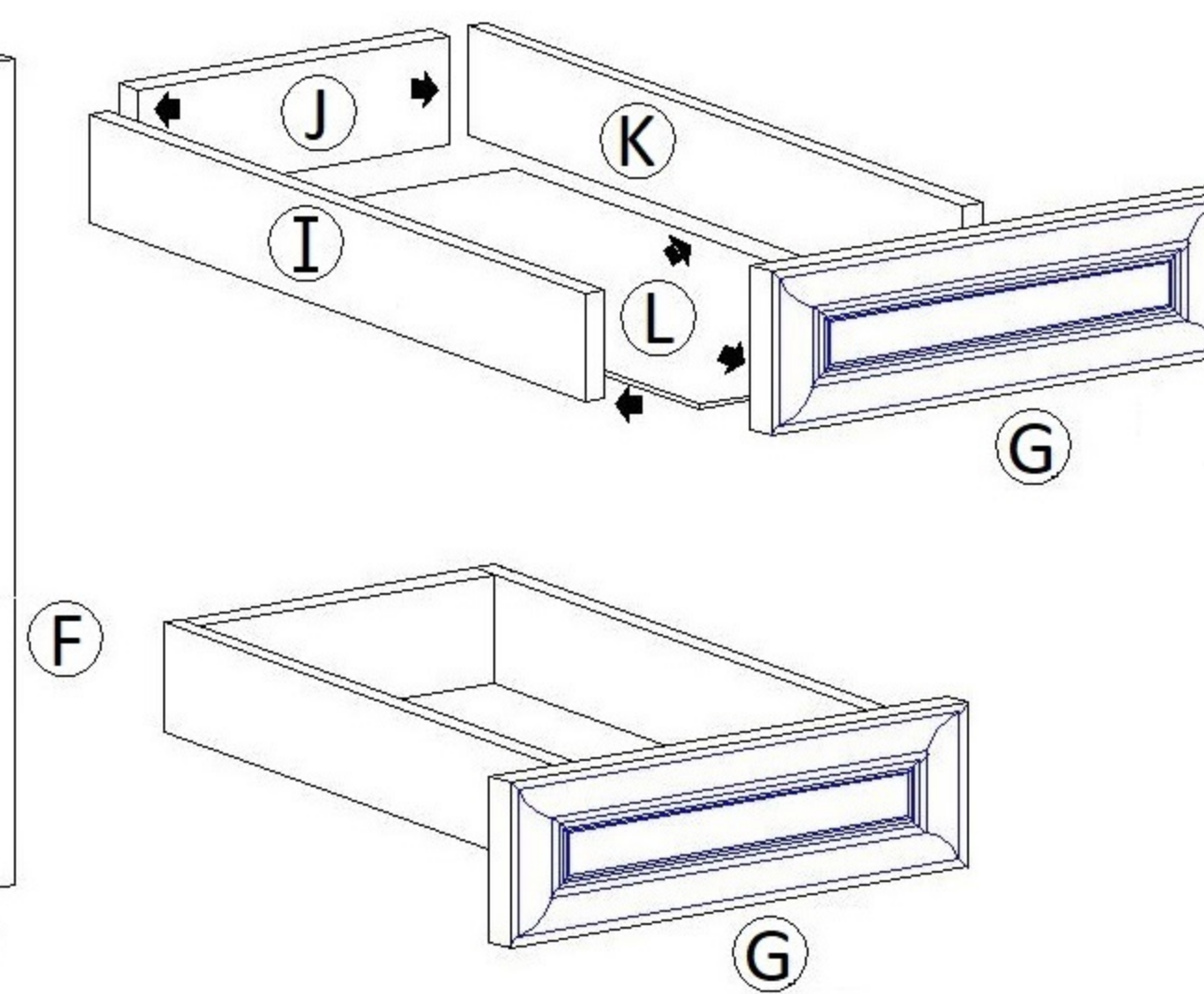
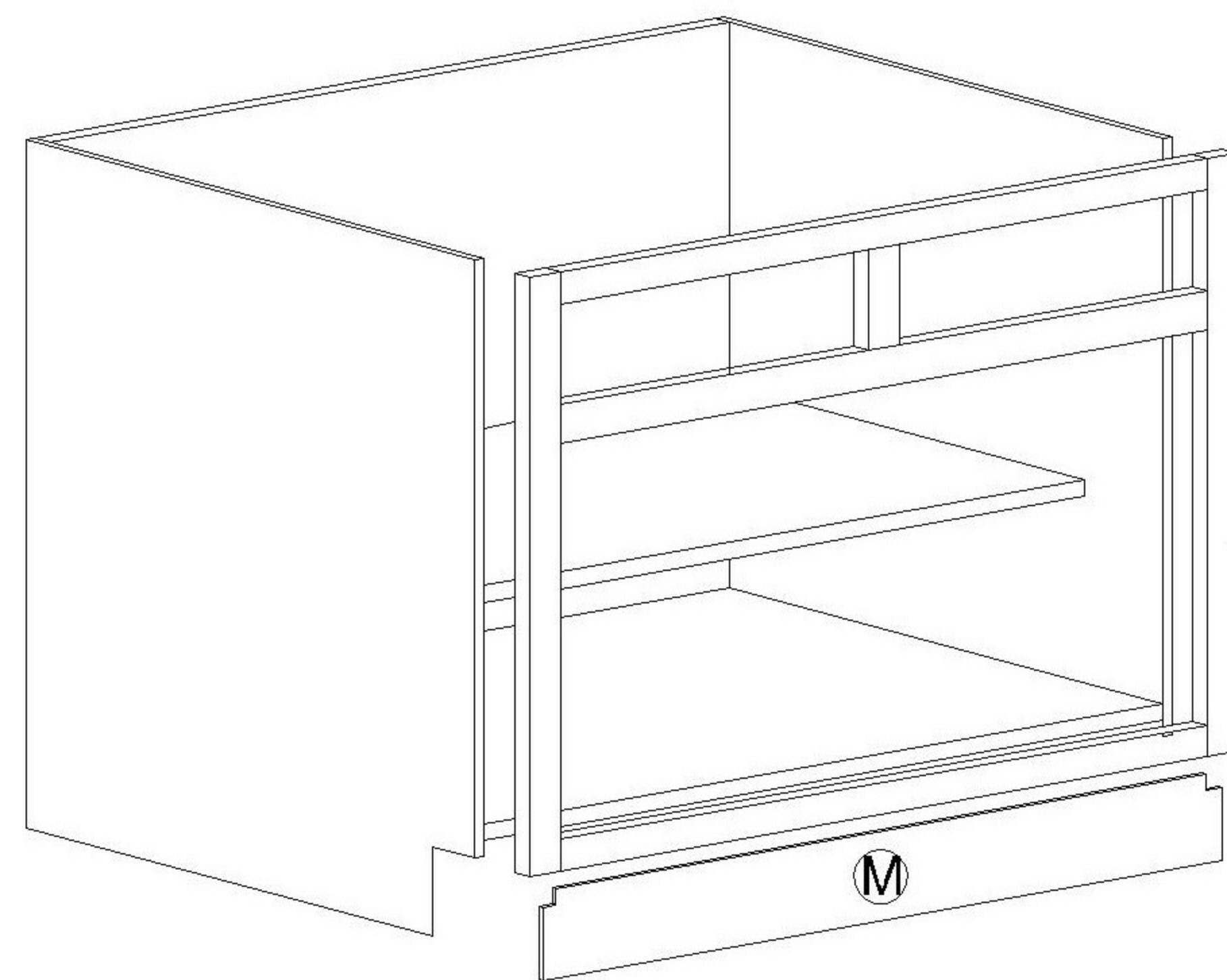
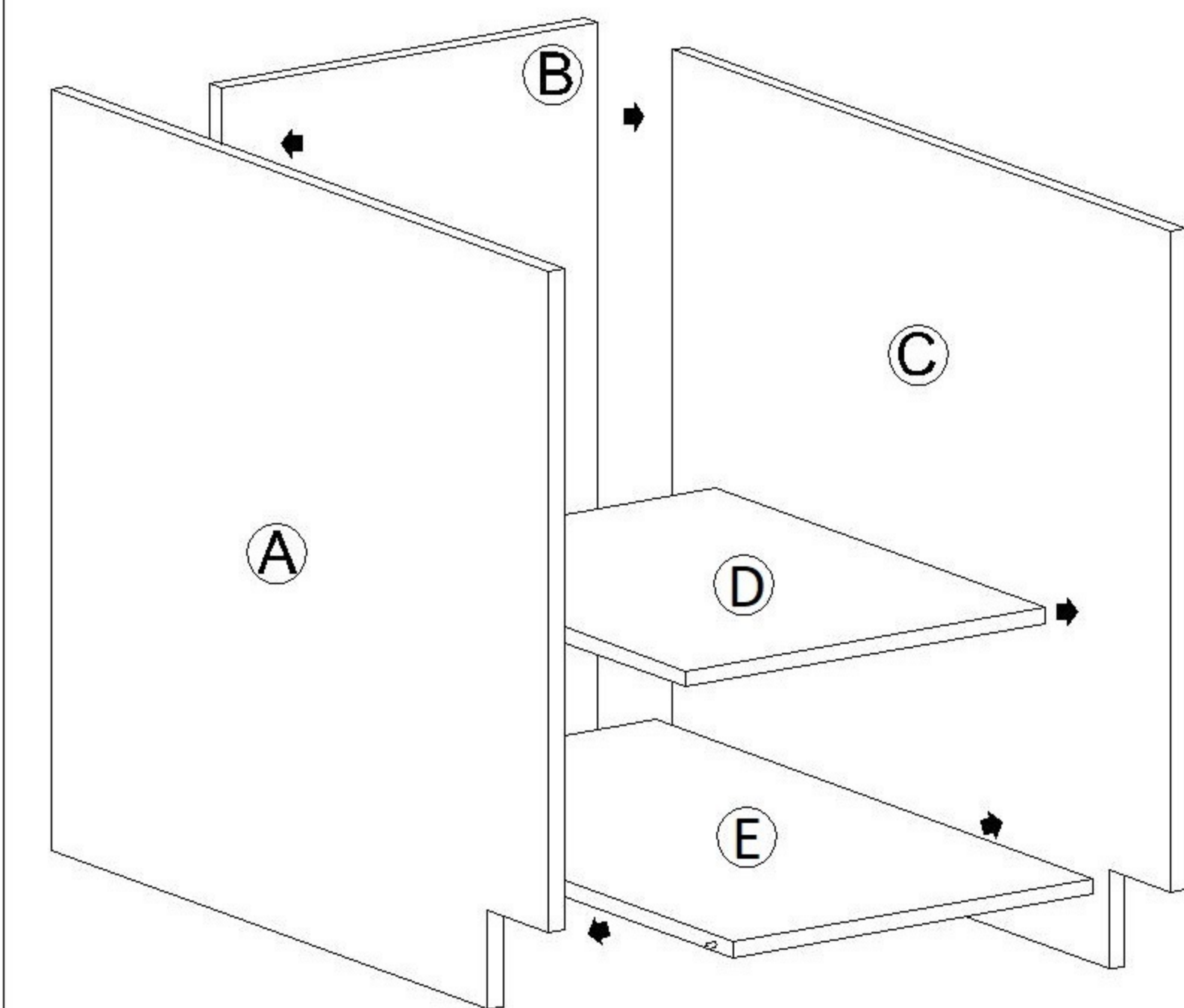
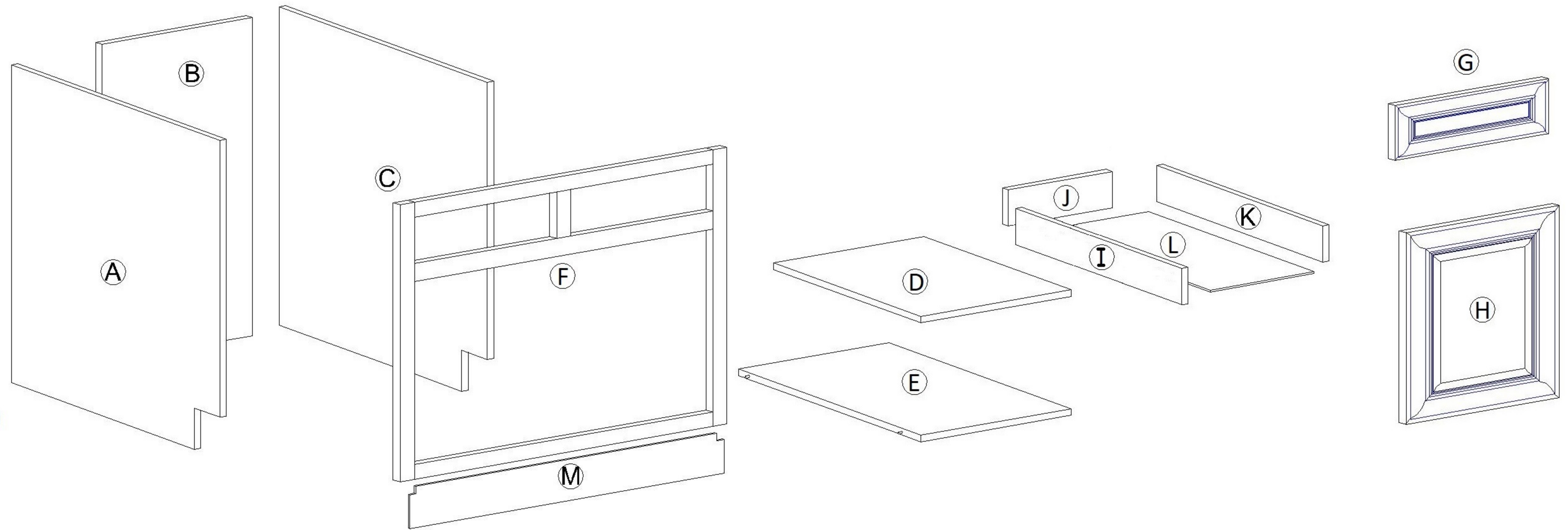
- A: Side Panel (Left)
- B: Back Panel
- C: Side Panel (Right)
- D: Shelf (Adjustable Height)
- E: Bottom Panel
- F: Face Frame
- G: Drawer Face
- H: Door
- I: Drawer Box Panel (Left)
- J: Drawer Box Panel (Back)
- K: Drawer Box Panel (Right)
- L: Drawer Box Panel (Bottom)
- M: Toe Kick



# Assembling Instruction for Frame Base Cabinet-2 Drawers, 2 Doors

AVAILABLE TYPE: B33 B36 B39 B42

- A: Side Panel (Left)
- B: Back Panel
- C: Side Panel (Right)
- D: Shelf (Adjustable Height)
- E: Drawer Bottom Panel
- F: Face Frame
- G: Drawer Face
- H: Door
- I: Drawer Box (Left Panel)
- J: Drawer Box (Back Panel)
- K: Drawer Box (Right Panel)
- L: Drawer Box (Bottom Panel)
- M: Toe Kick

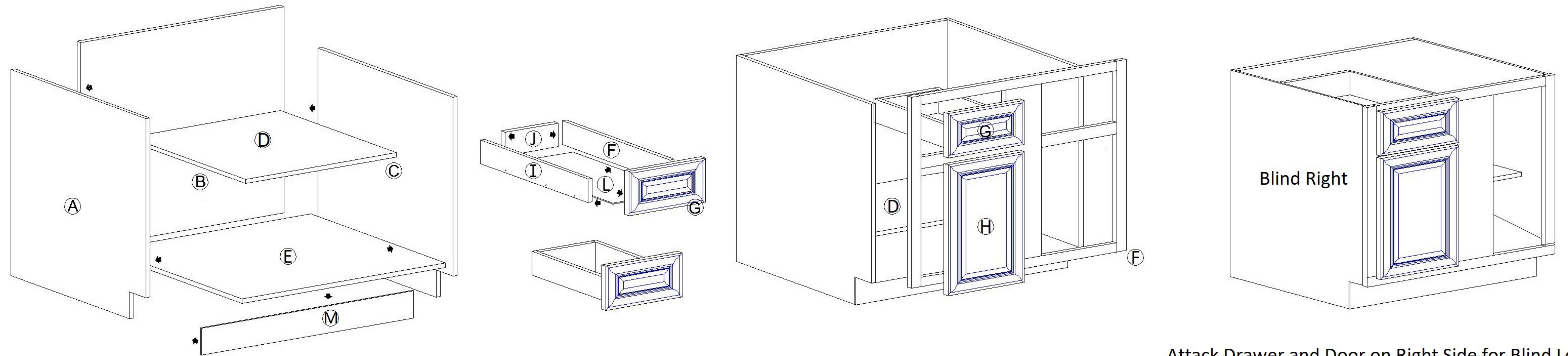
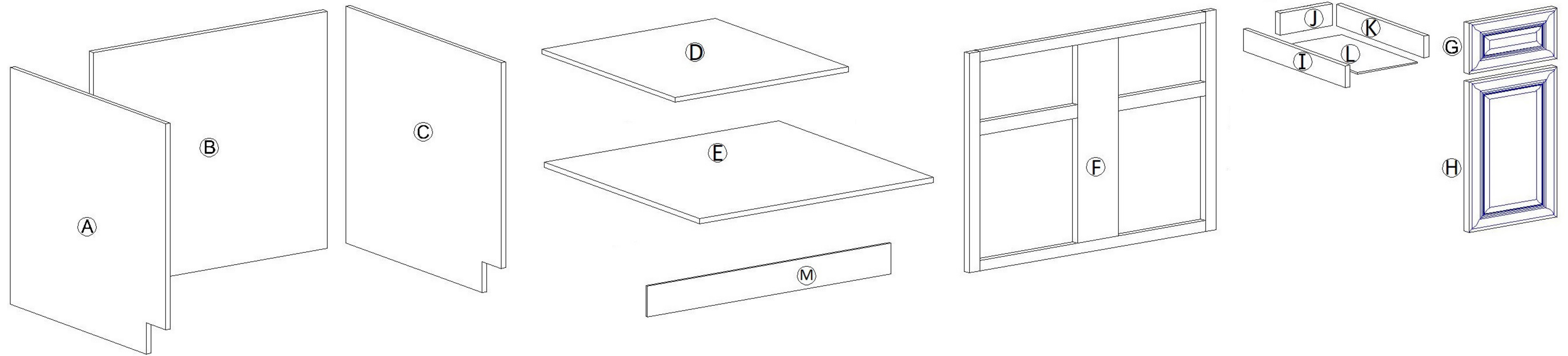


# Assembling Instruction for Blind Base Cabinet

AVAILABLE TYPE: BBC36

BBC39 BBC42

- A: Side Panel (Left)
- B: Back Panel
- C: Side Panel (Right)
- D: Shelf
- E: Bottom Panel
- F: Face Frame
- G: Drawer Face
- H: Door
- I: Drawer Box (Left Panel)
- J: Drawer Box (Back Panel)
- K: Drawer Box (Right Panel)
- L: Drawer Box (Bottom Panel)
- M: Toe Kick
- N:

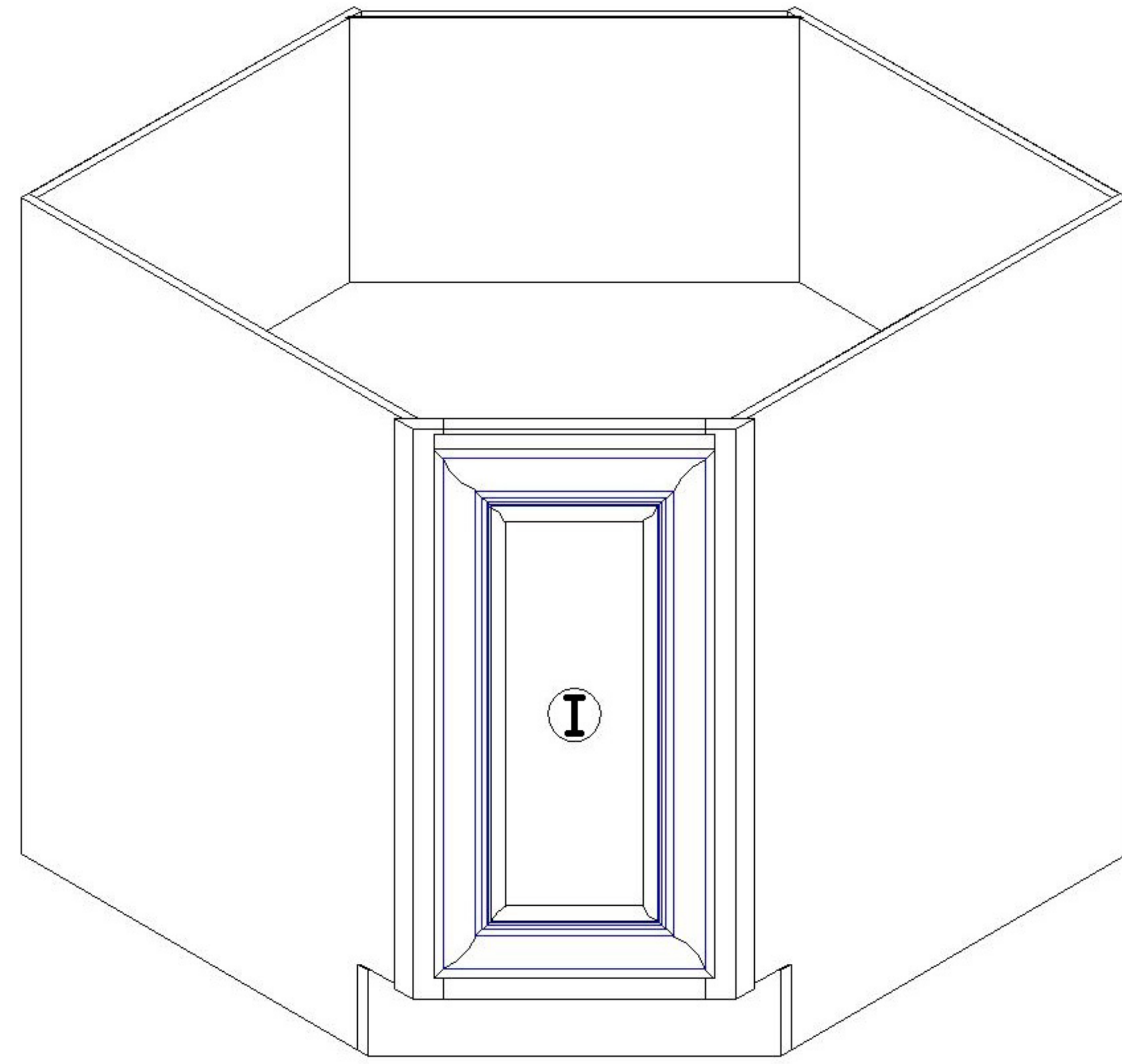
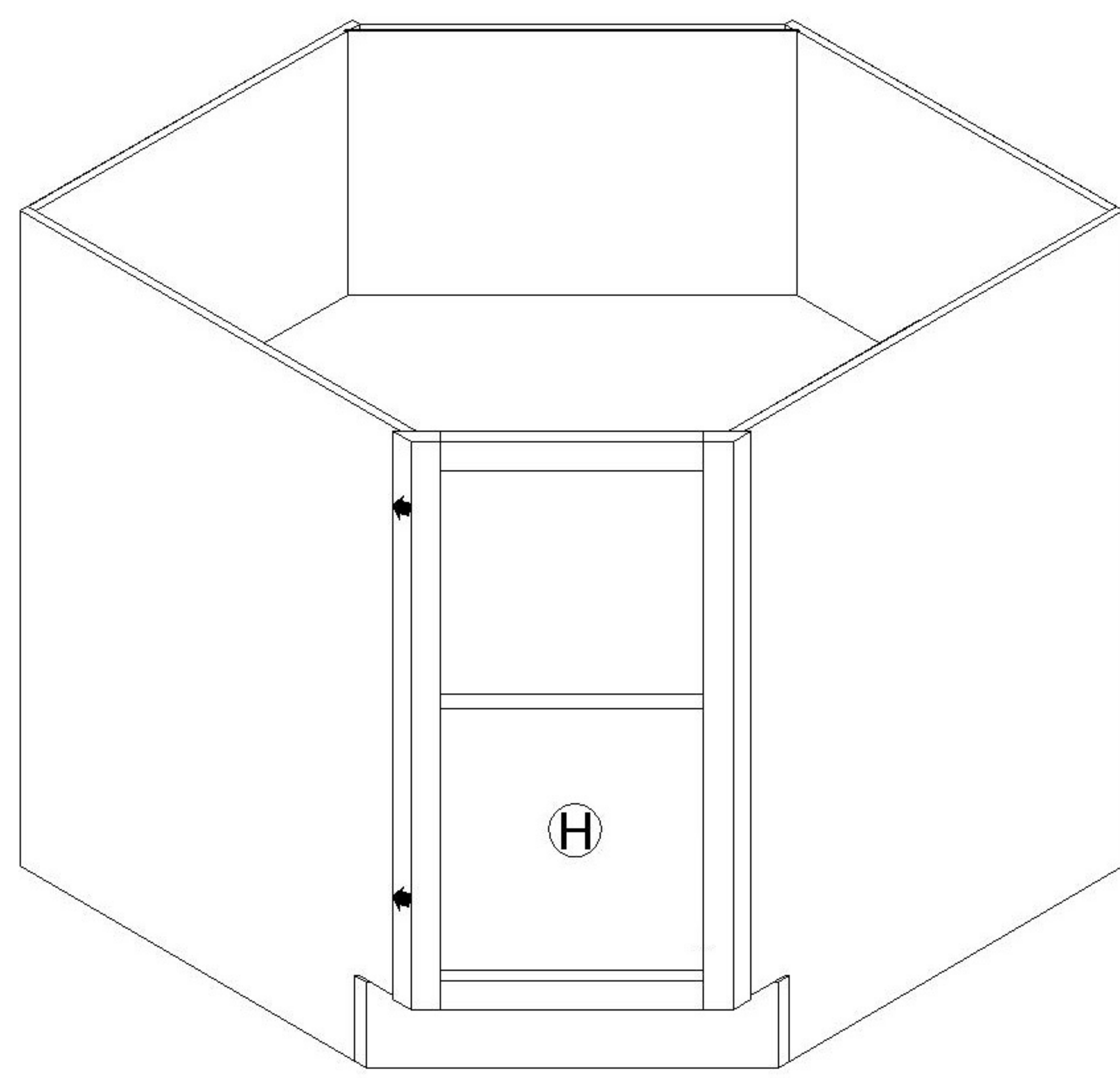
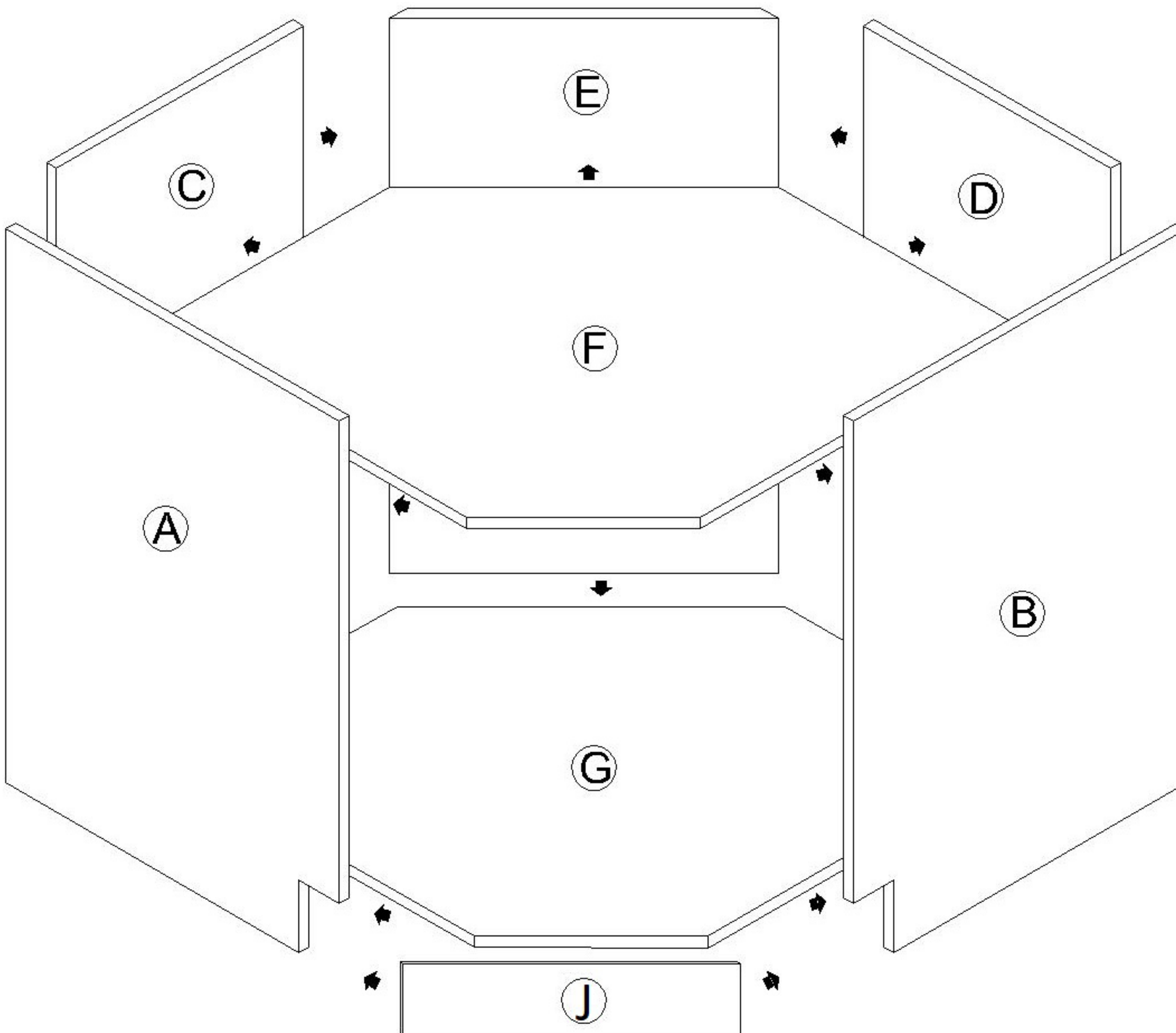
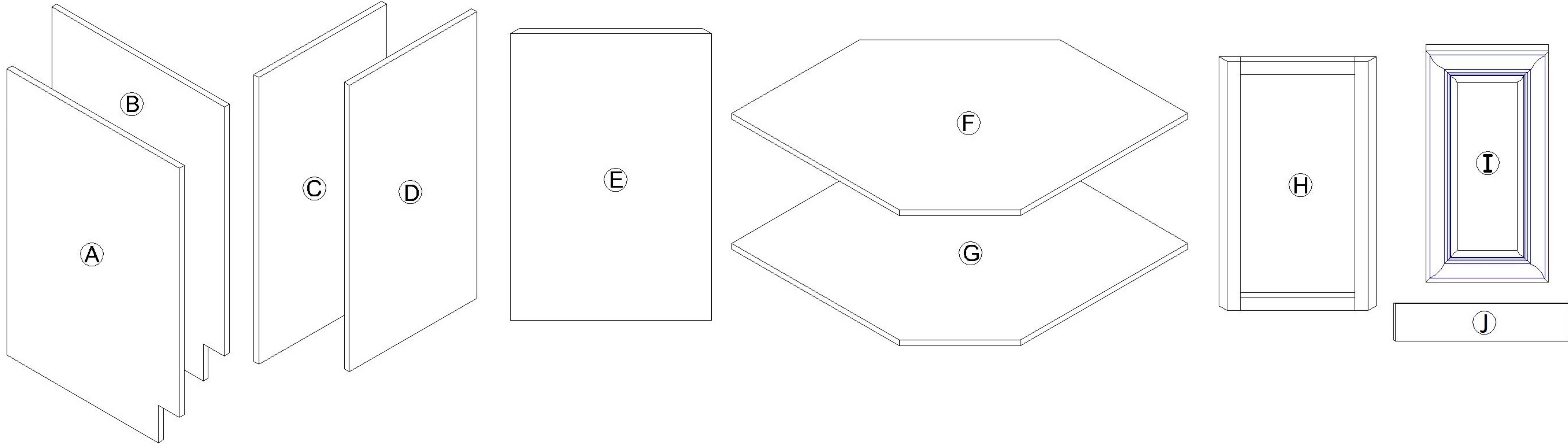


Attack Drawer and Door on Right Side for Blind Left

# Assembling Instruction for Base Diagonal Cabinet - 1 Door

AVAILABLE TYPE: BDC36 BDC39

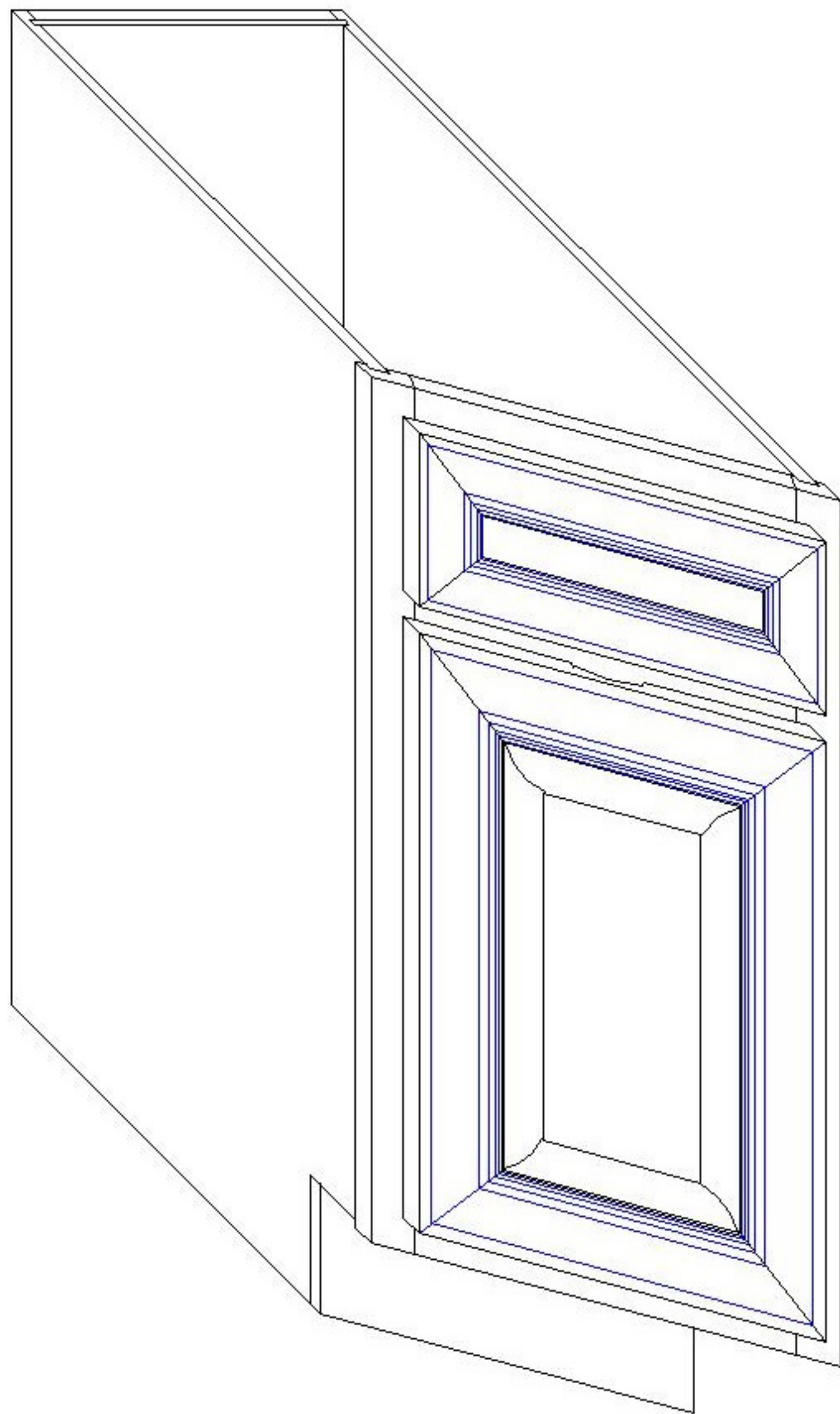
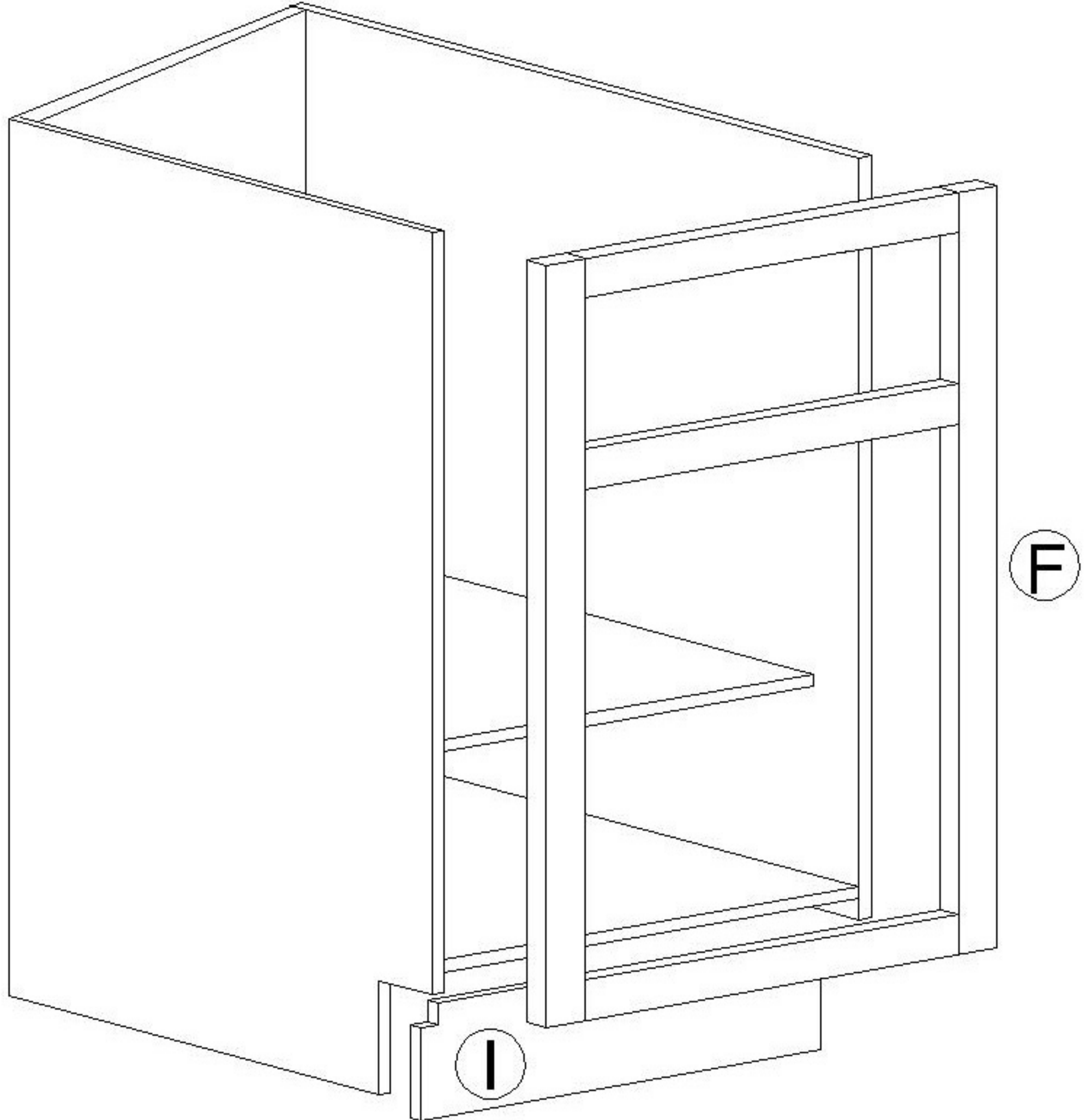
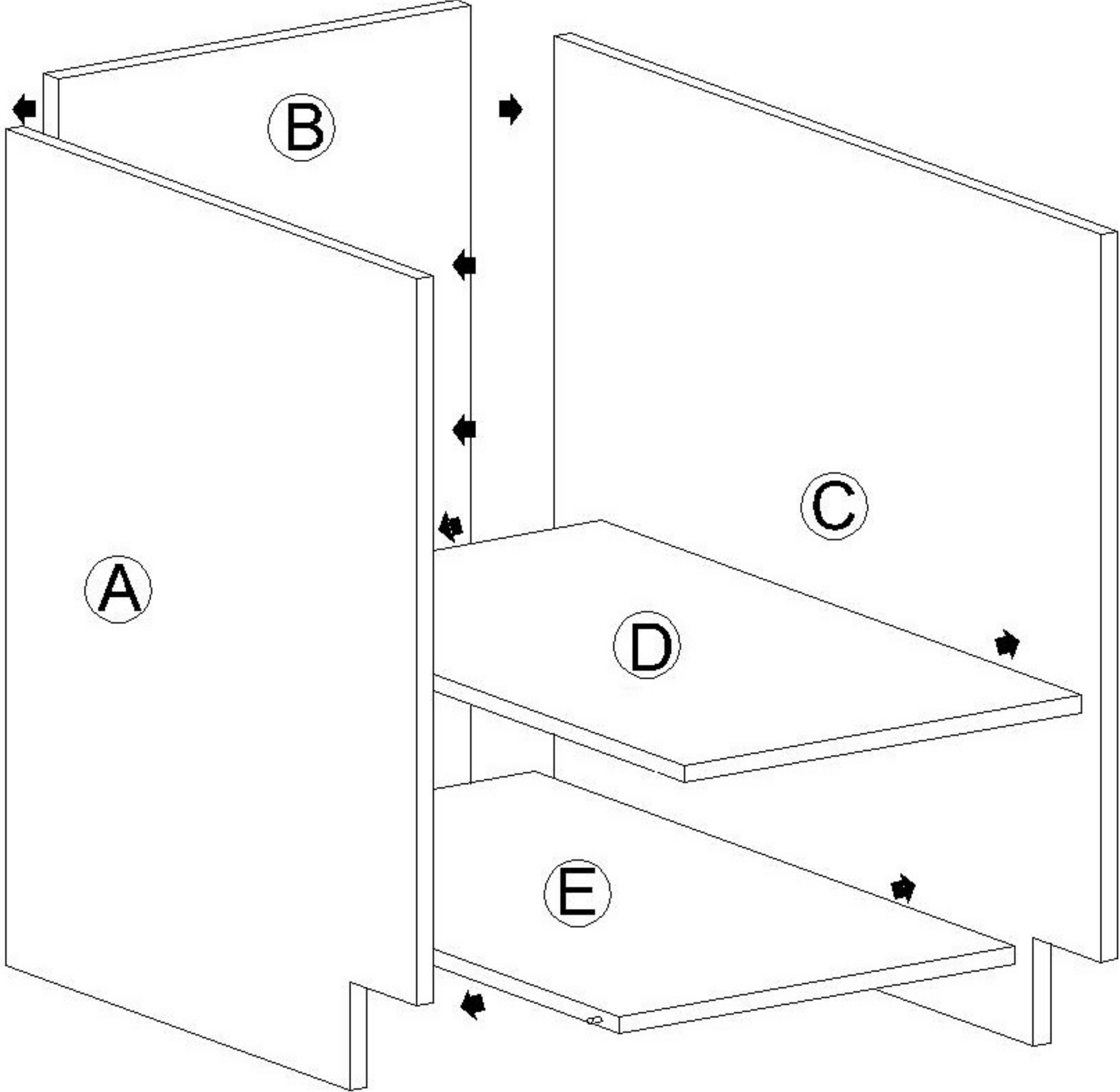
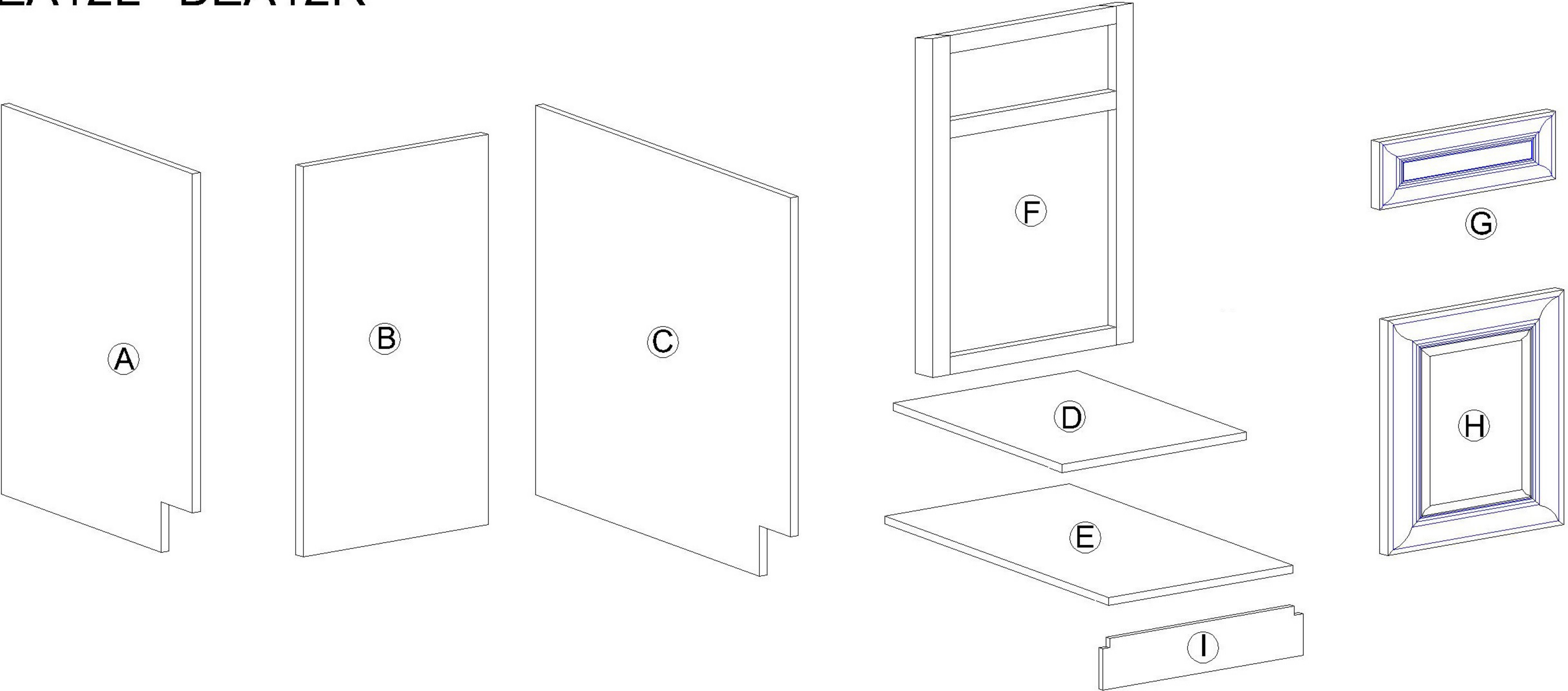
- A: Side Panel (Left)
- B: Side Panel (Right Front)
- C: Side Panel (Left Back)
- D: Side Panel (Right Back)
- E: Back Center Panel
- F: Shelf
- G: Bottom Panel
- H: Face Frame
- I: Door
- J: Toe Kick



# Assembling Instruction for Base End Angle Cabinet

AVAILABLE TYPE: BEA12L BEA12R

- A: Side Panel (Left)
- B: Back Panel
- C: Side Panel (Right)
- D: Shelf
- E: Bottom Panel
- F: Face Frame
- G: Drawer Face
- H: Door
- I: Toe Kick

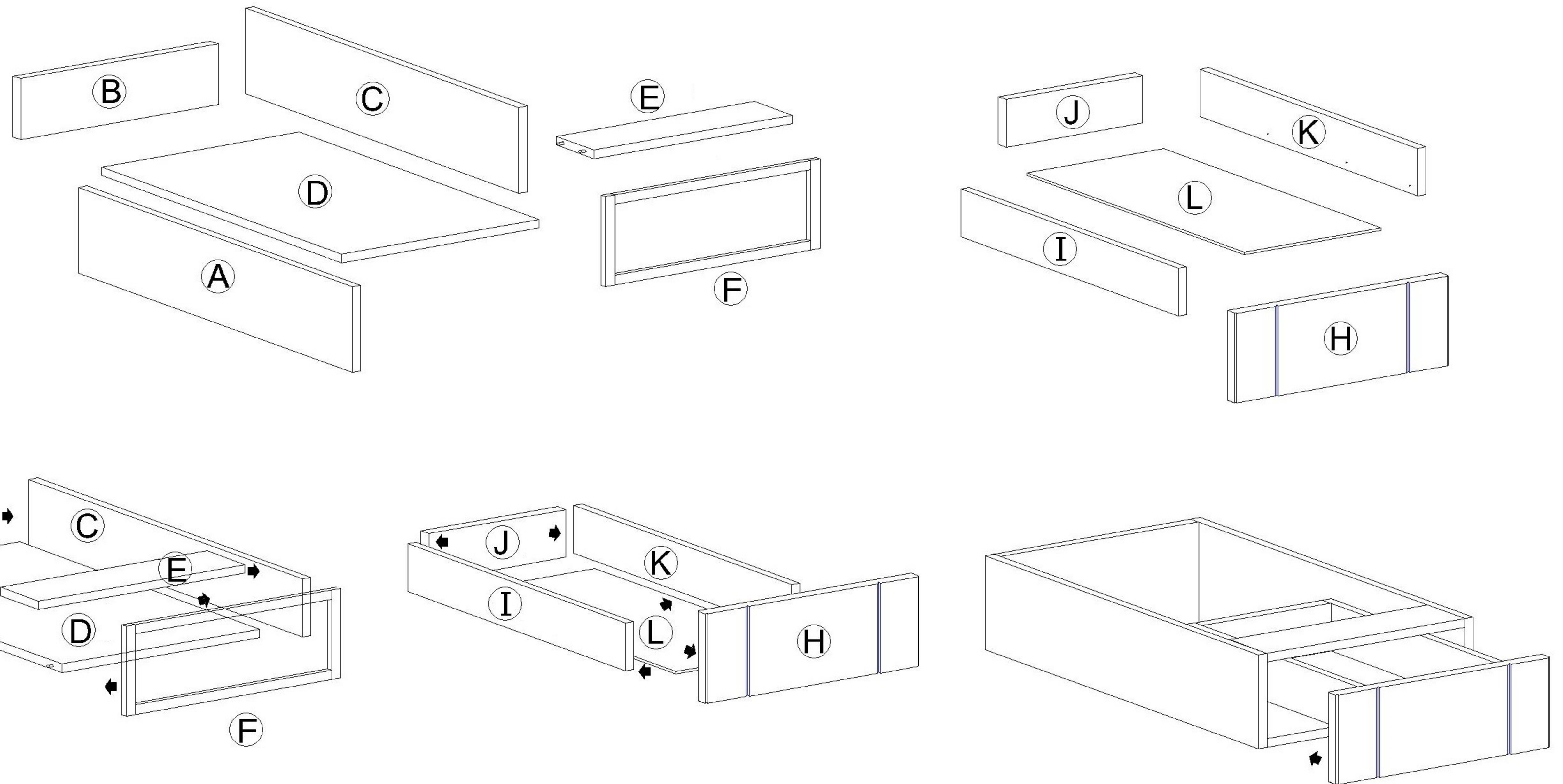


# Assembling Instruction for Wall Frame Base Drawer

AVAILABLE : BKD&KDD&DKD

TYPE : BKD24/30/36

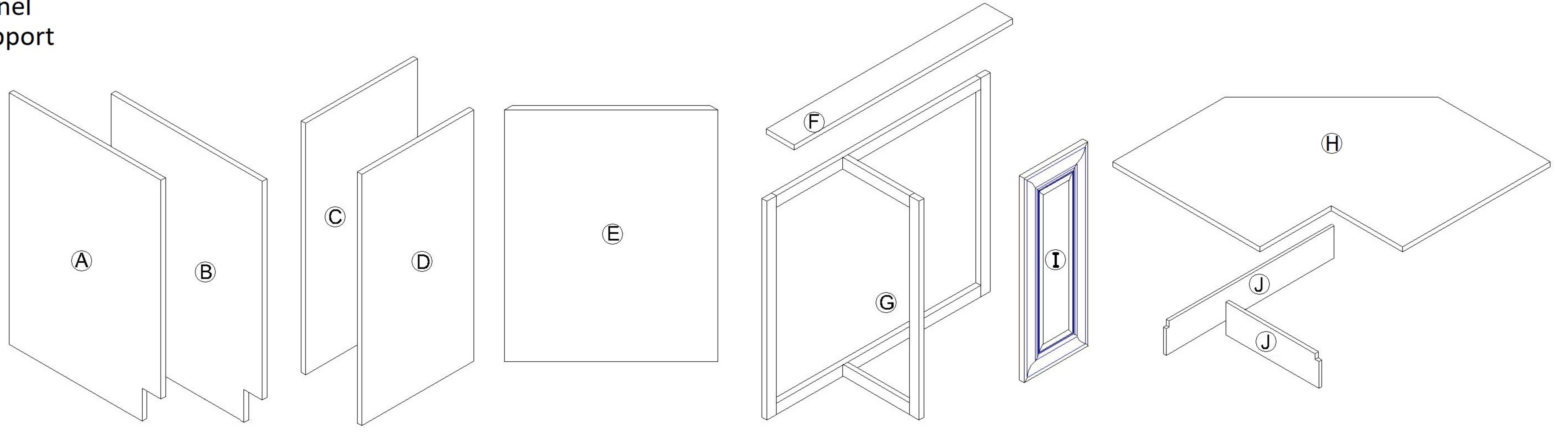
- A: Side Panel (Left)
- B: Back Panel
- C: Side Panel (Right)
- D: Bottom Panel
- E: Support Strip
- F: Face Frame
- H: Drawer Face
- I: Drawer Box Panel (Left)
- J: Drawer Box Panel (Back)
- K: Drawer Box Panel (Right)
- L: Drawer Box Panel (Bottom)



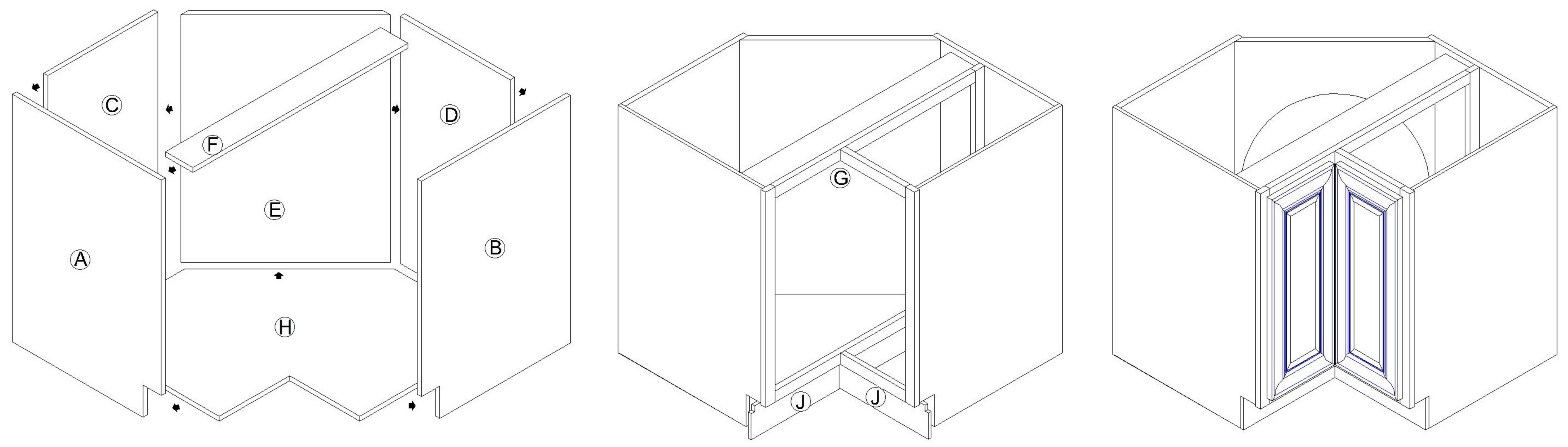
# Assembling Instruction for Base Lazy Susan Cabinet

AVAILABLE TYPE: BLS33 BLS36

- A: Side Panel (Left)
- B: Side Panel (Right)
- C: Back Side Panel (Left)
- D: Back Side Panel (Right)
- E: Center Back Panel
- F: Face Frame Support
- G: Face Frame
- H: Bottom Panel
- I: Door
- J: Toe Kick



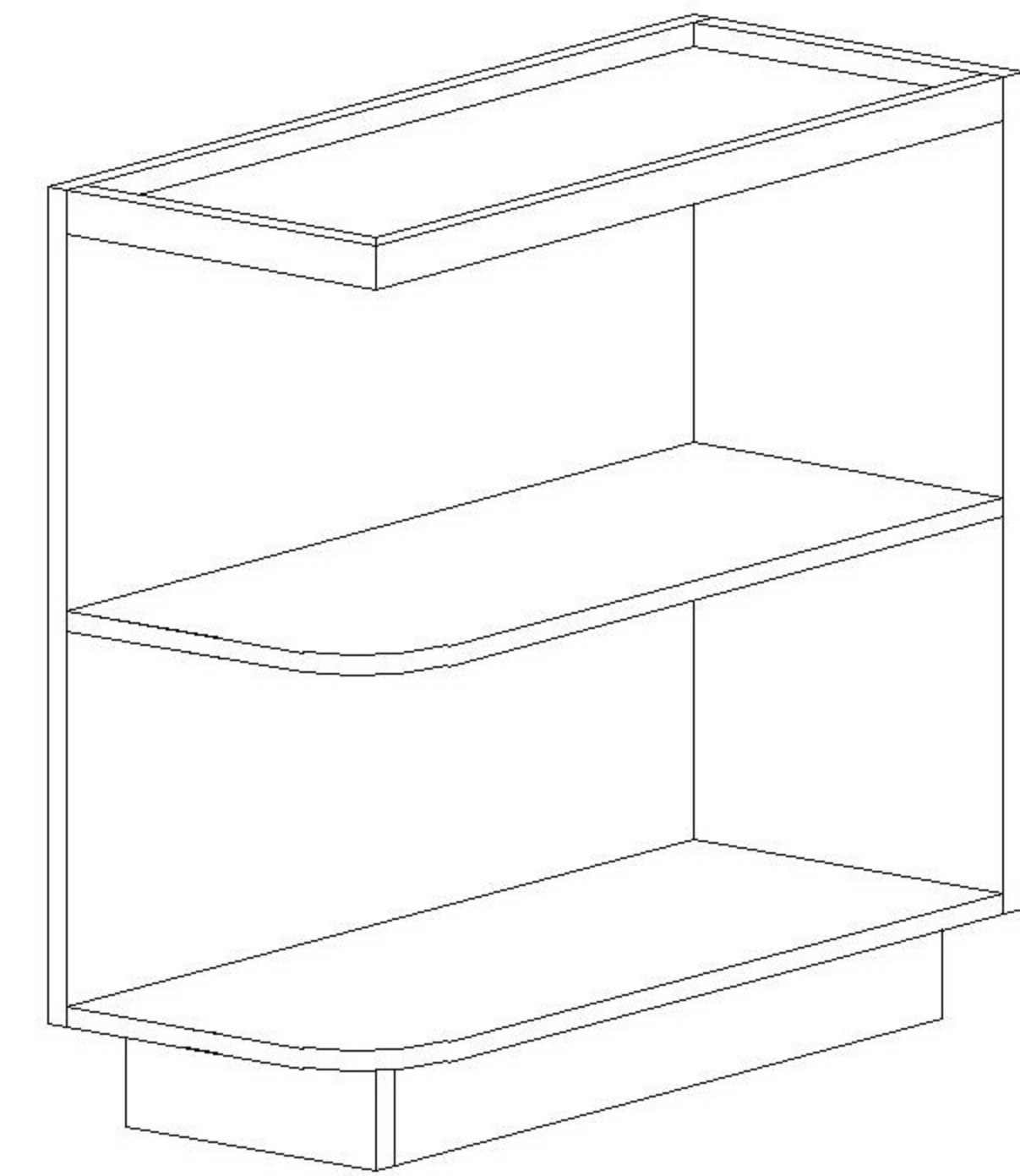
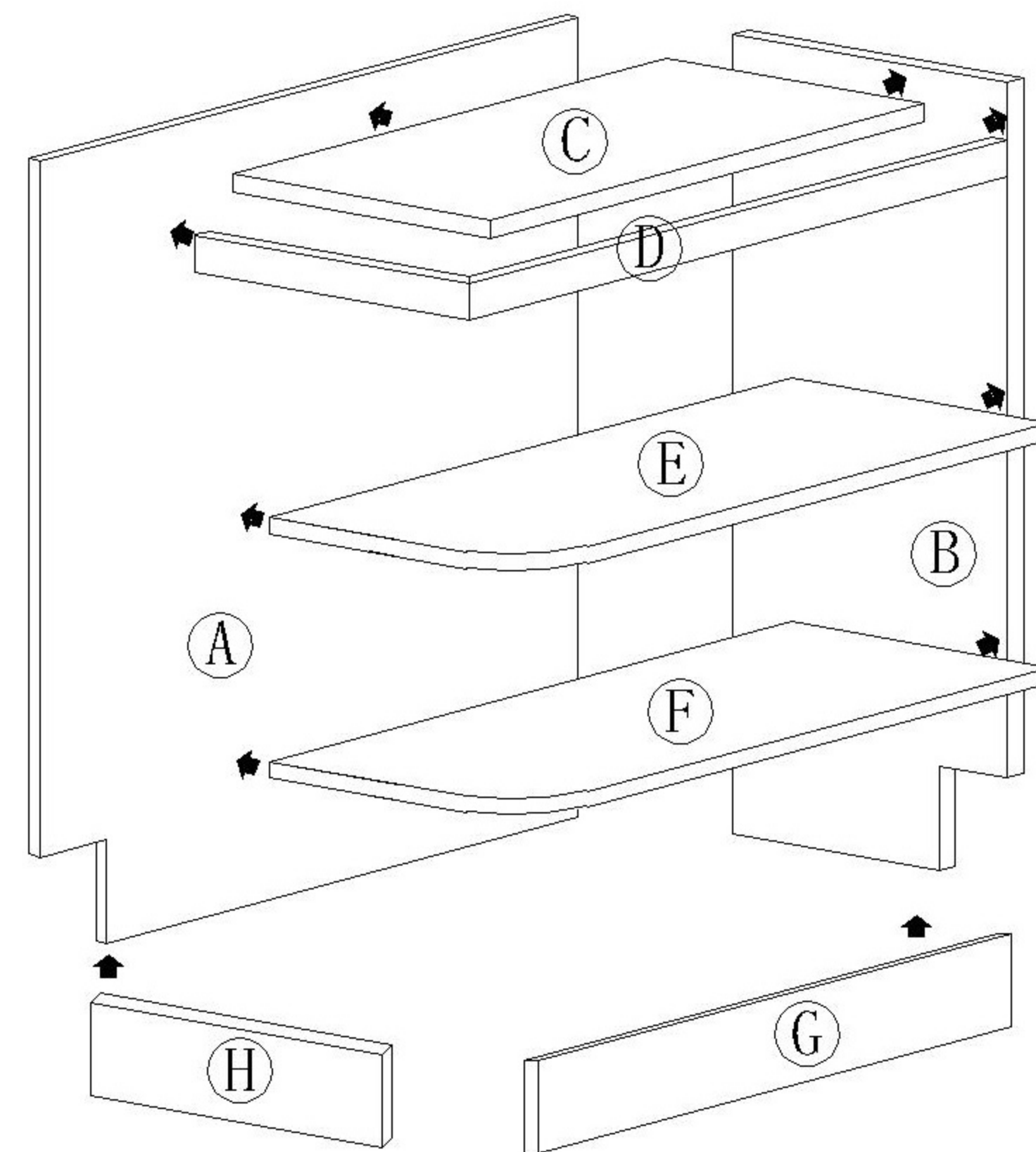
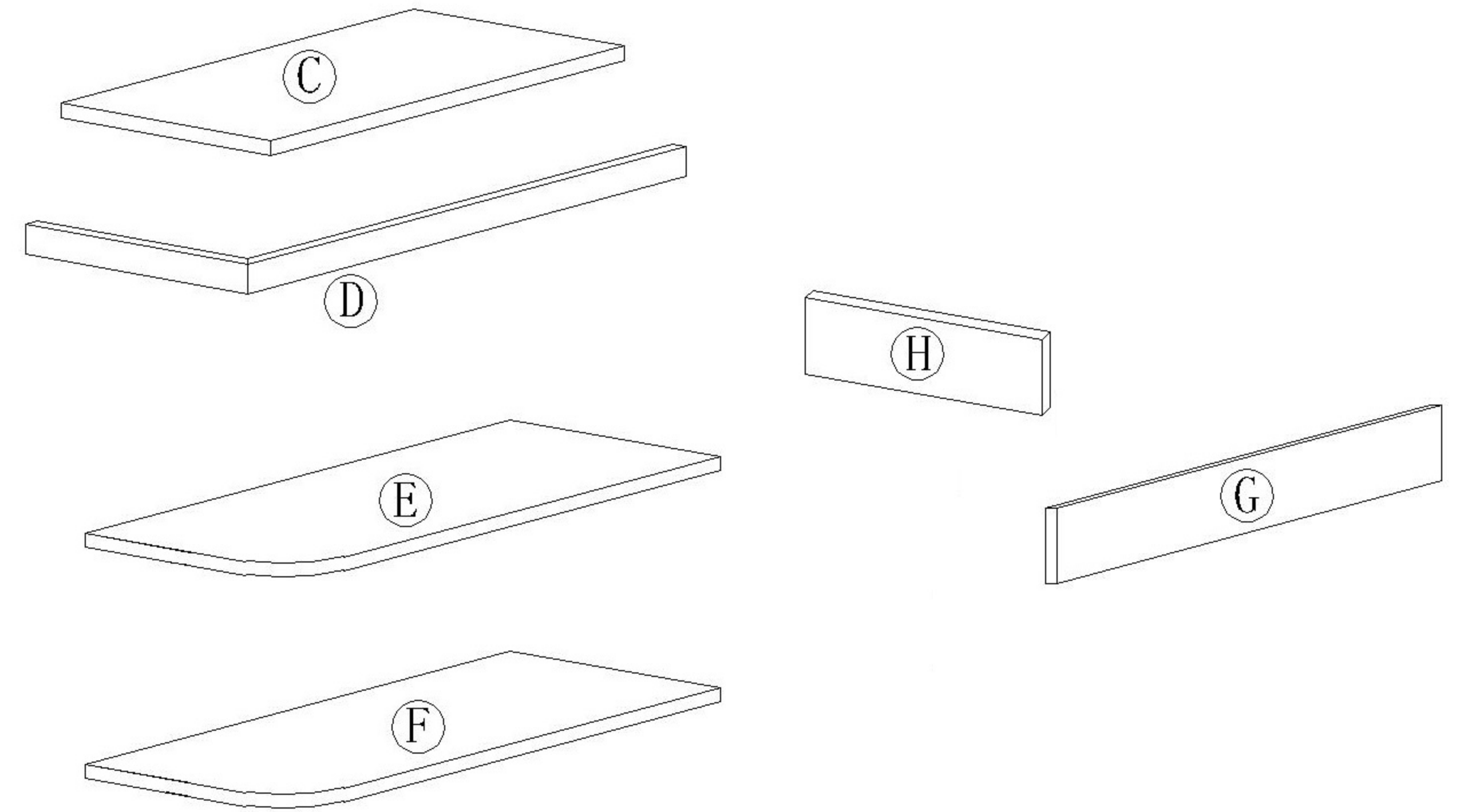
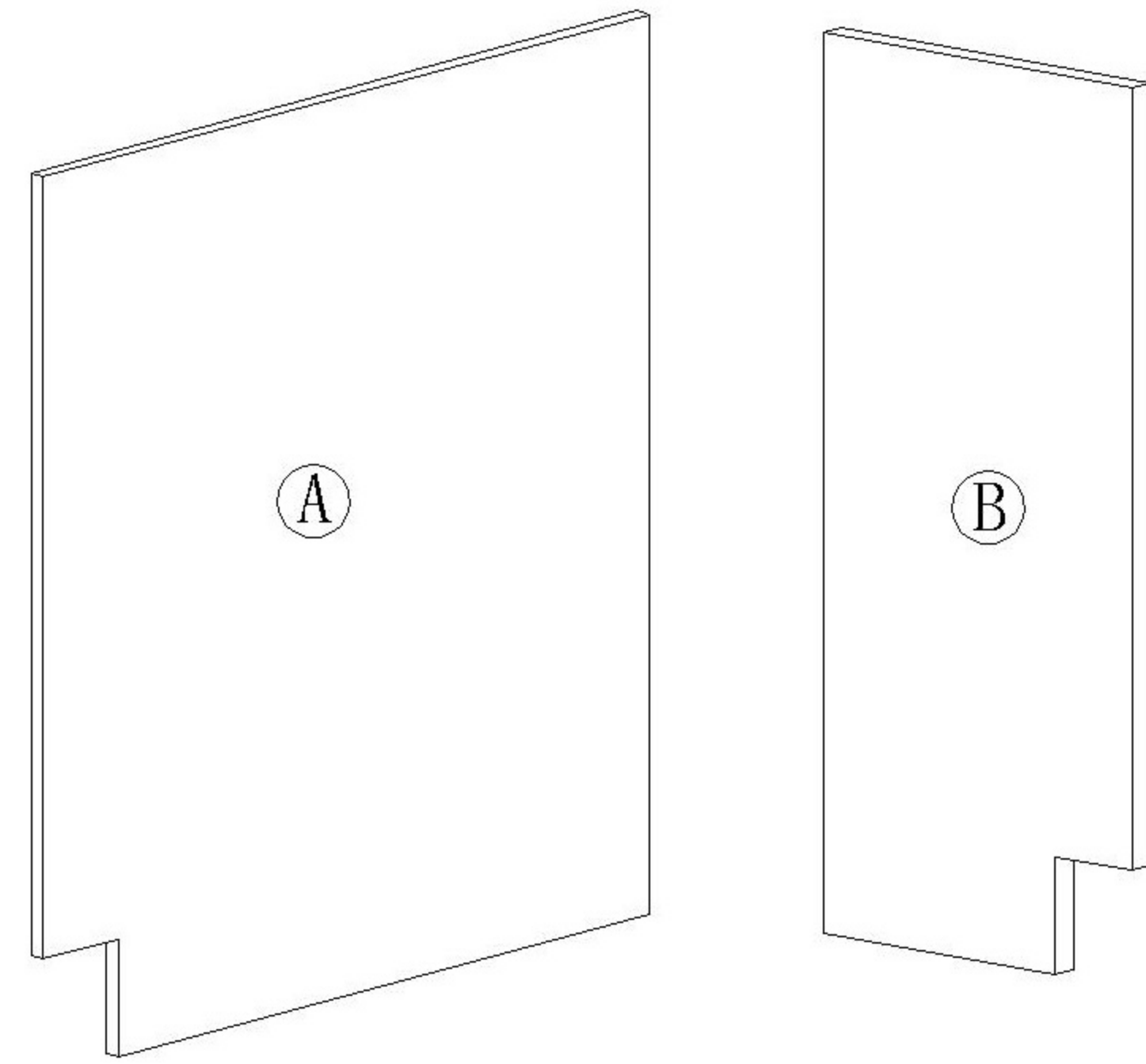
\* Face Frame (G) Need To Be Inserted To The Bottom Panel Before Attacking Side And Back Panel



# Assembling Instruction for Base Open End Shelf

AVAILABLE TYPE: BOES12L BOES12R

- A: Side Panel
- B: Back Panel
- C: Top Panel
- D: Face Frame
- E: Mid Panel
- F: Bottom Panel
- G: Long Toe Kick
- H: Short Toe Kick

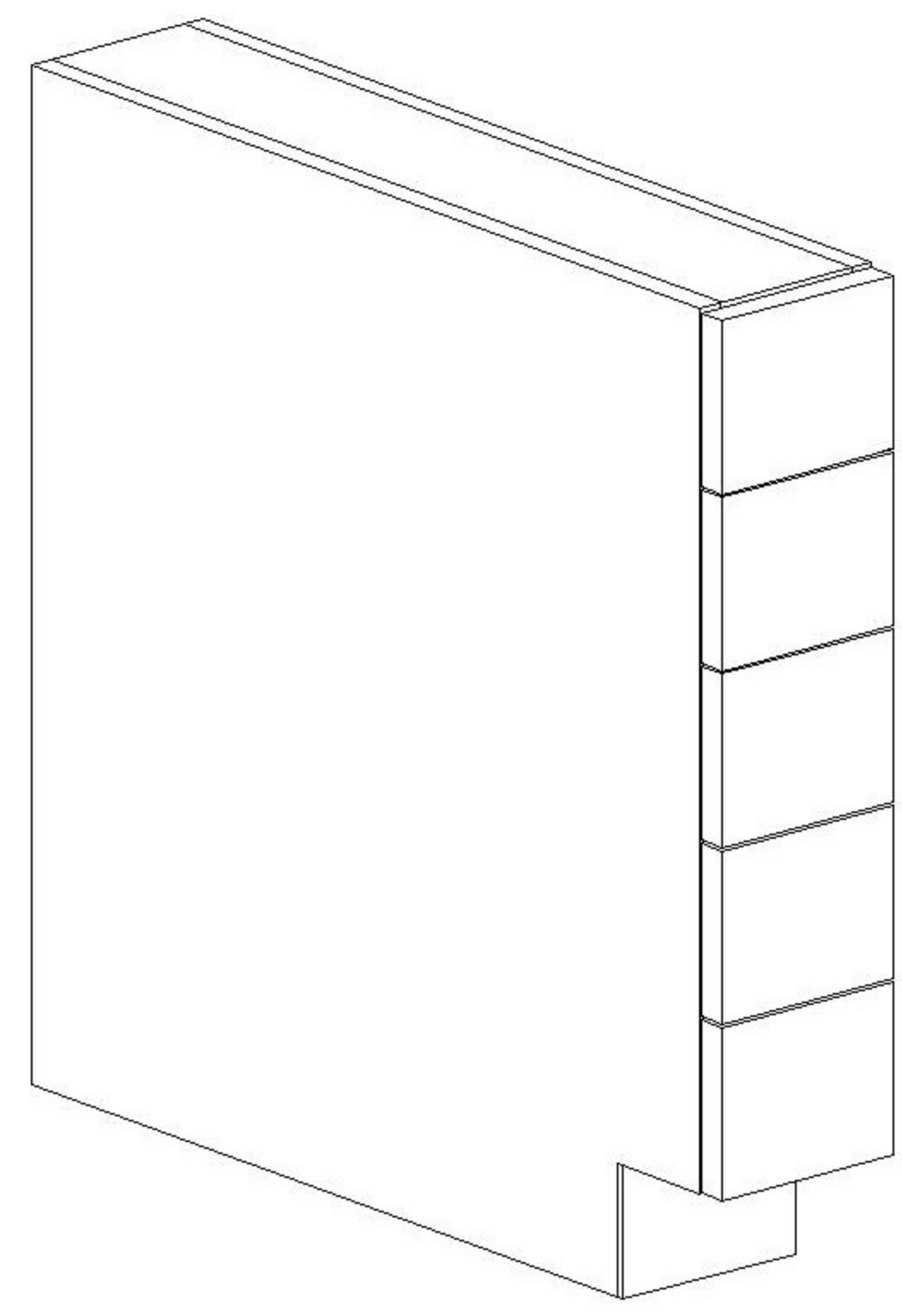
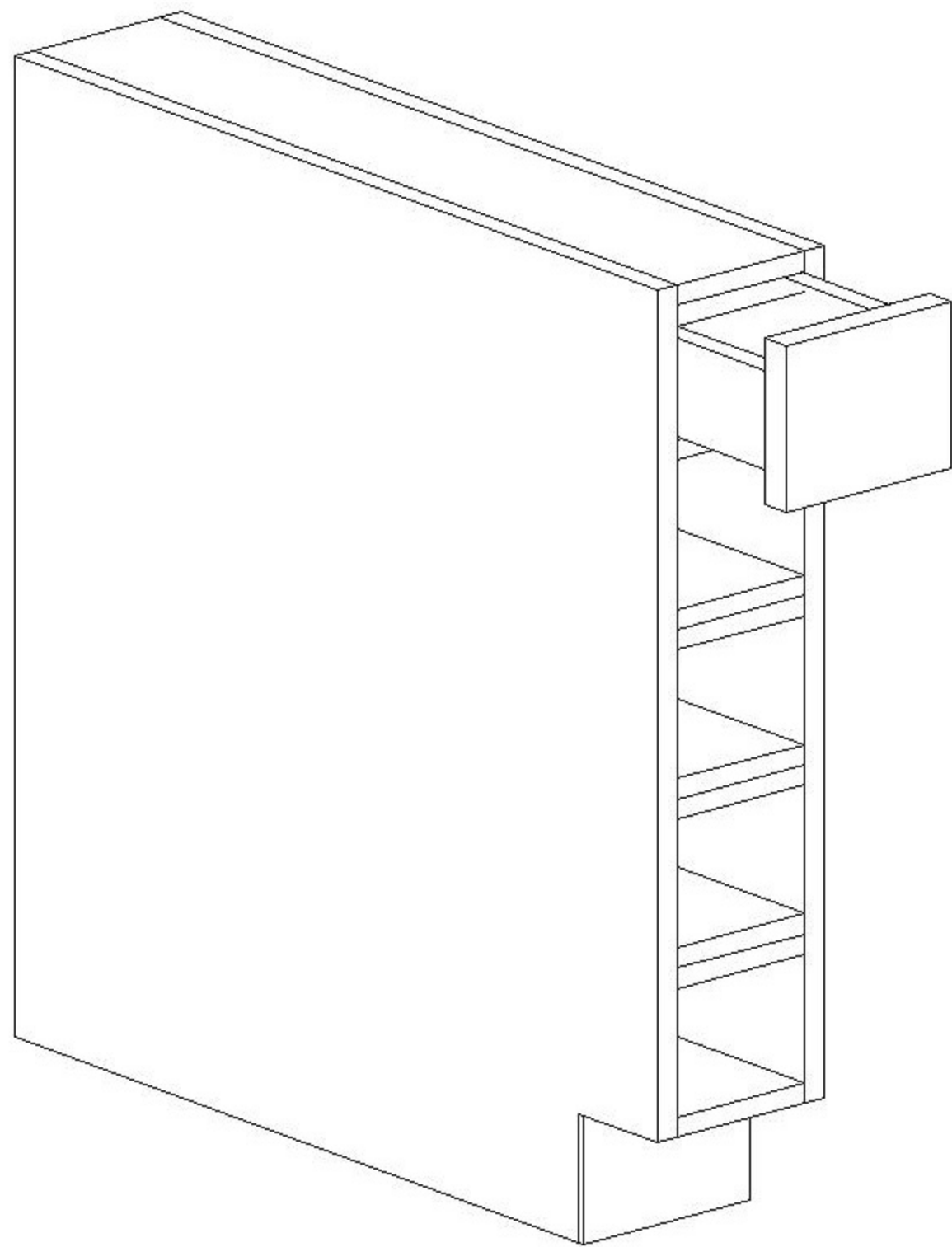
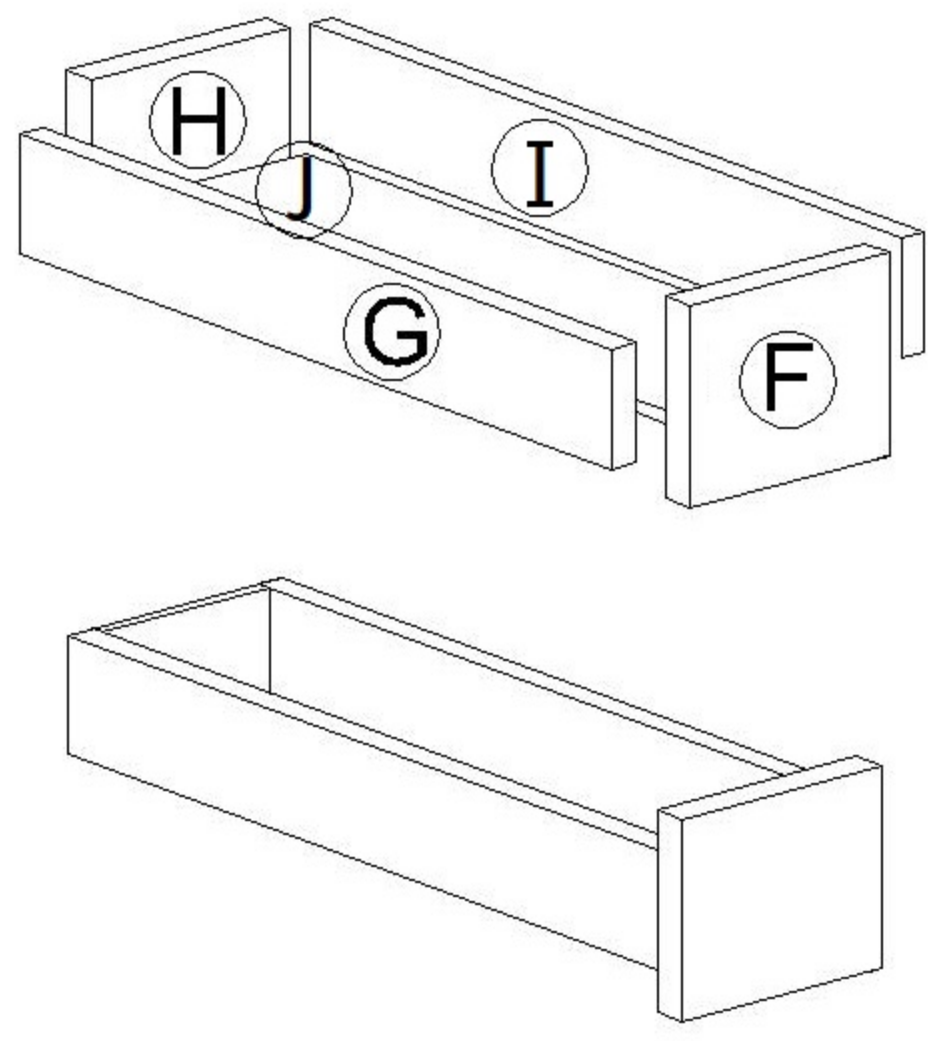
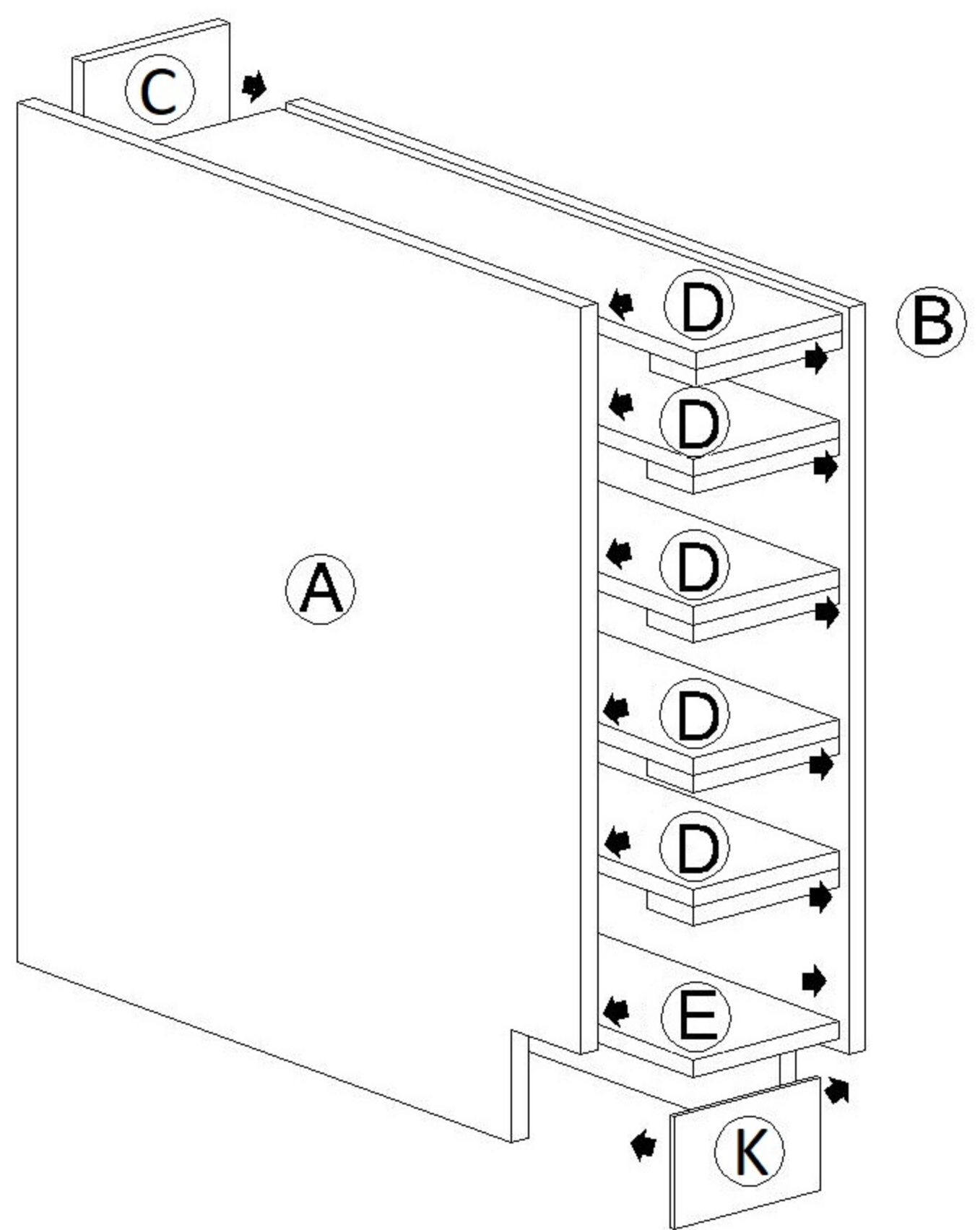
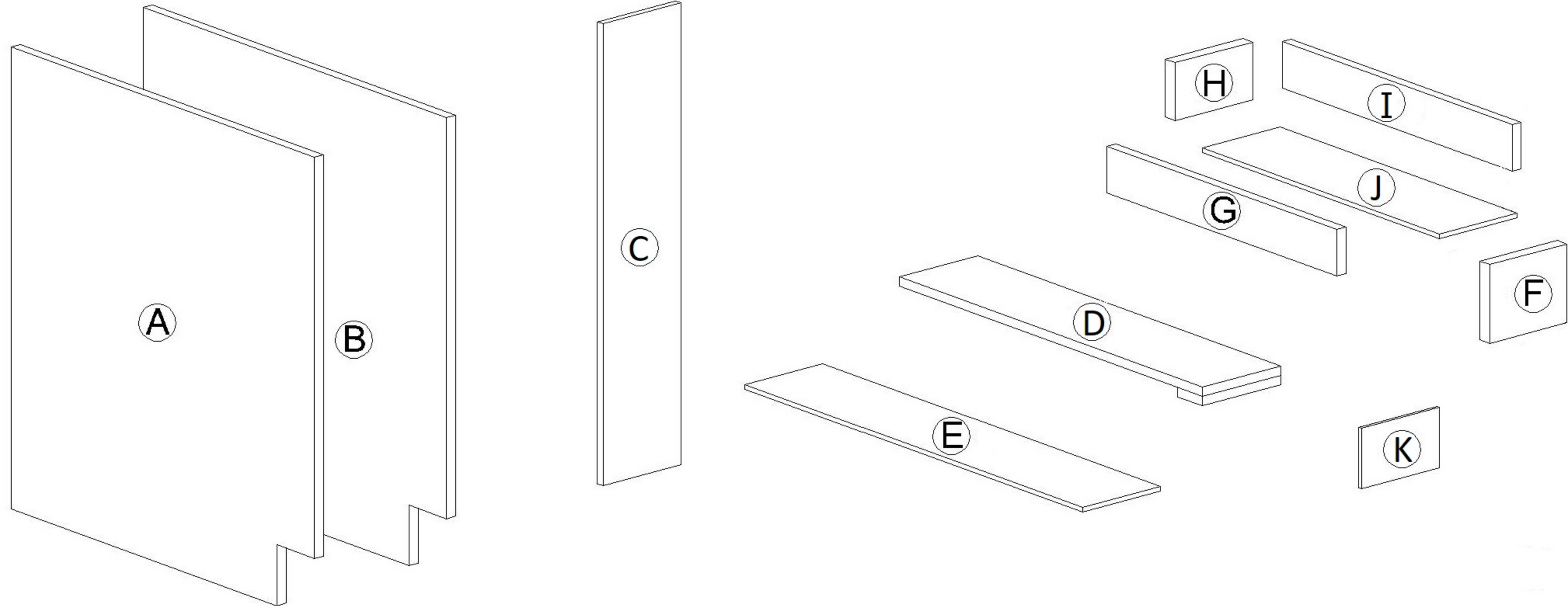




# Assemble Instruction for Base Spice Drawer Cabinet

AVAILABLE TYPE: BSDC06

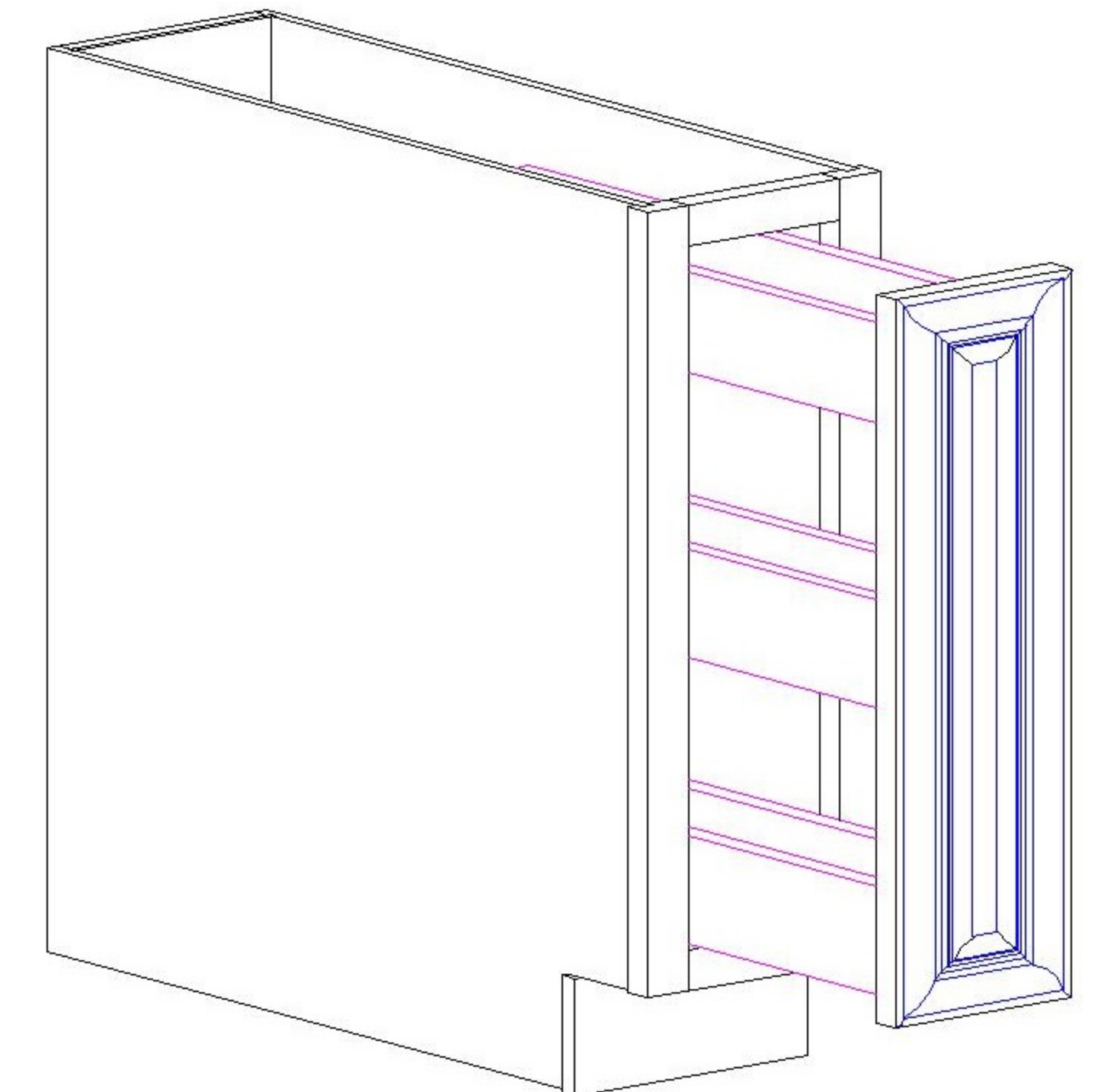
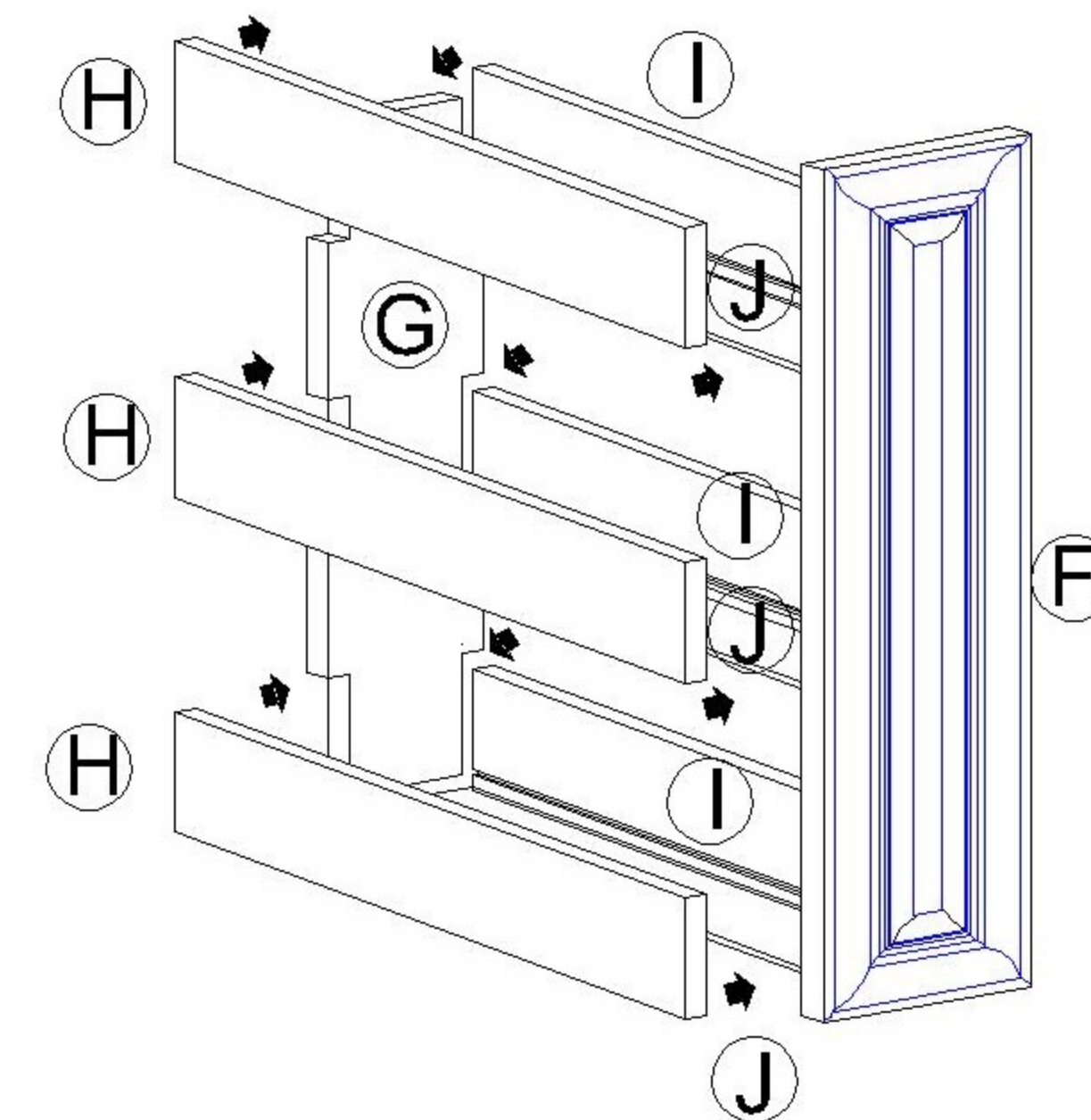
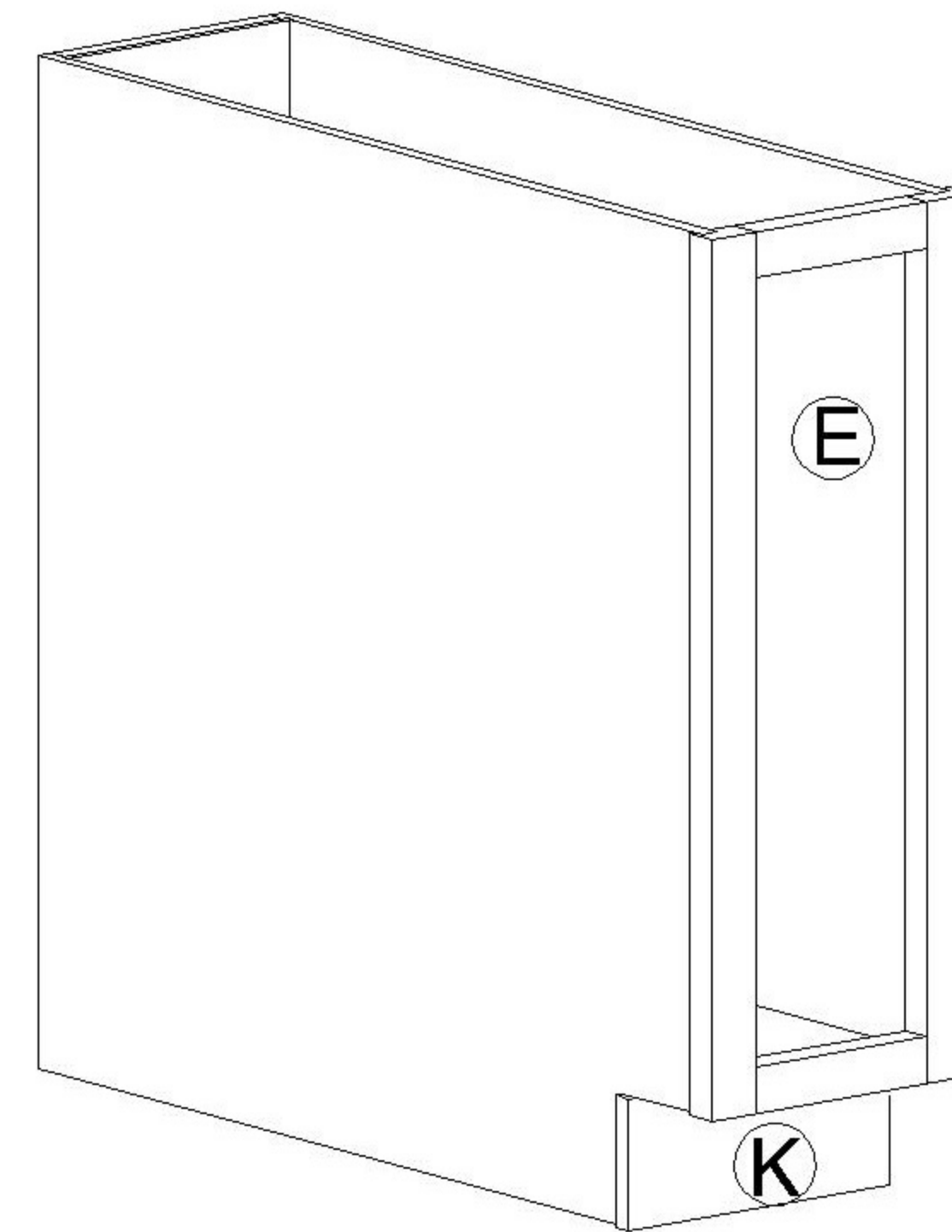
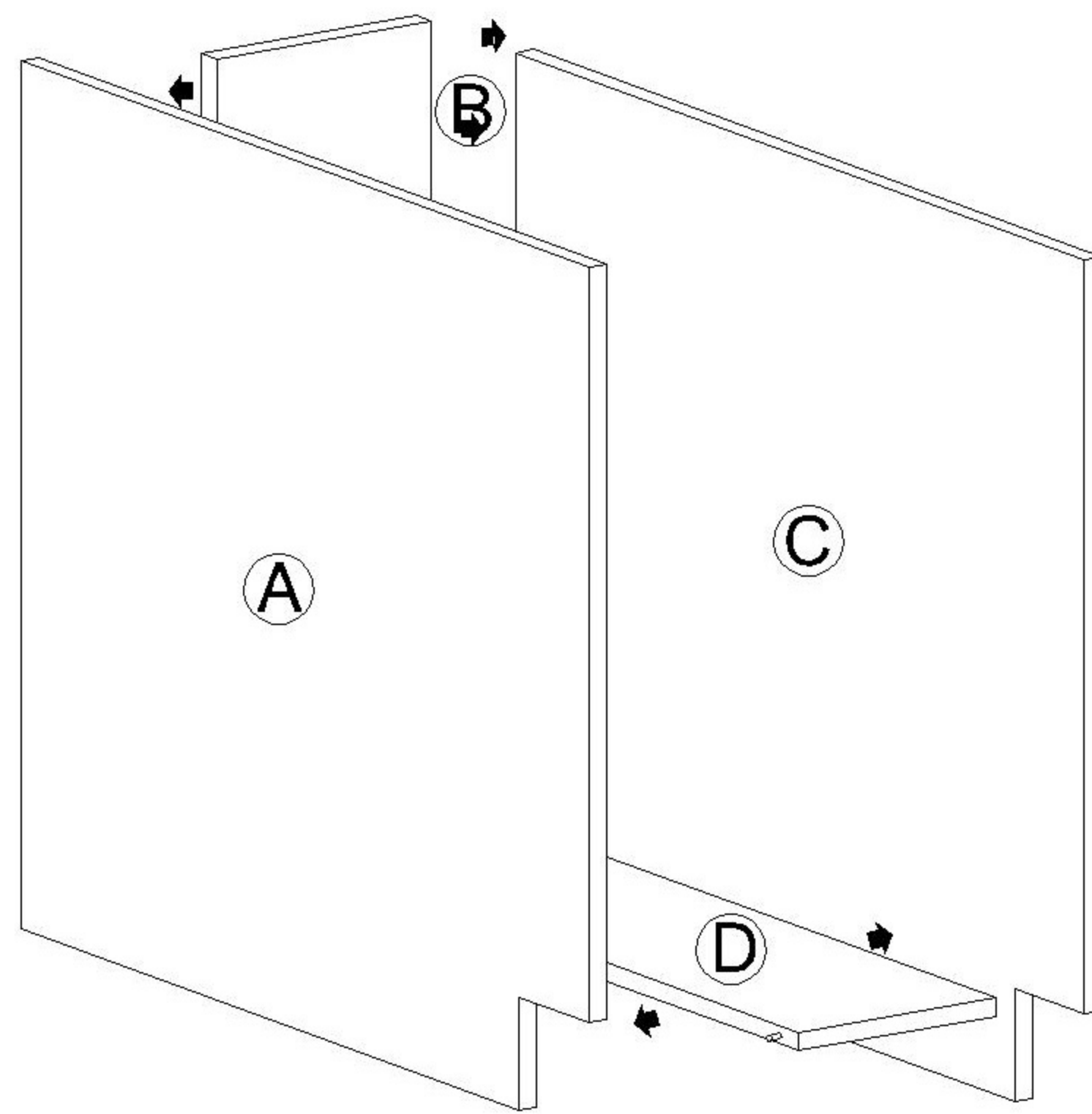
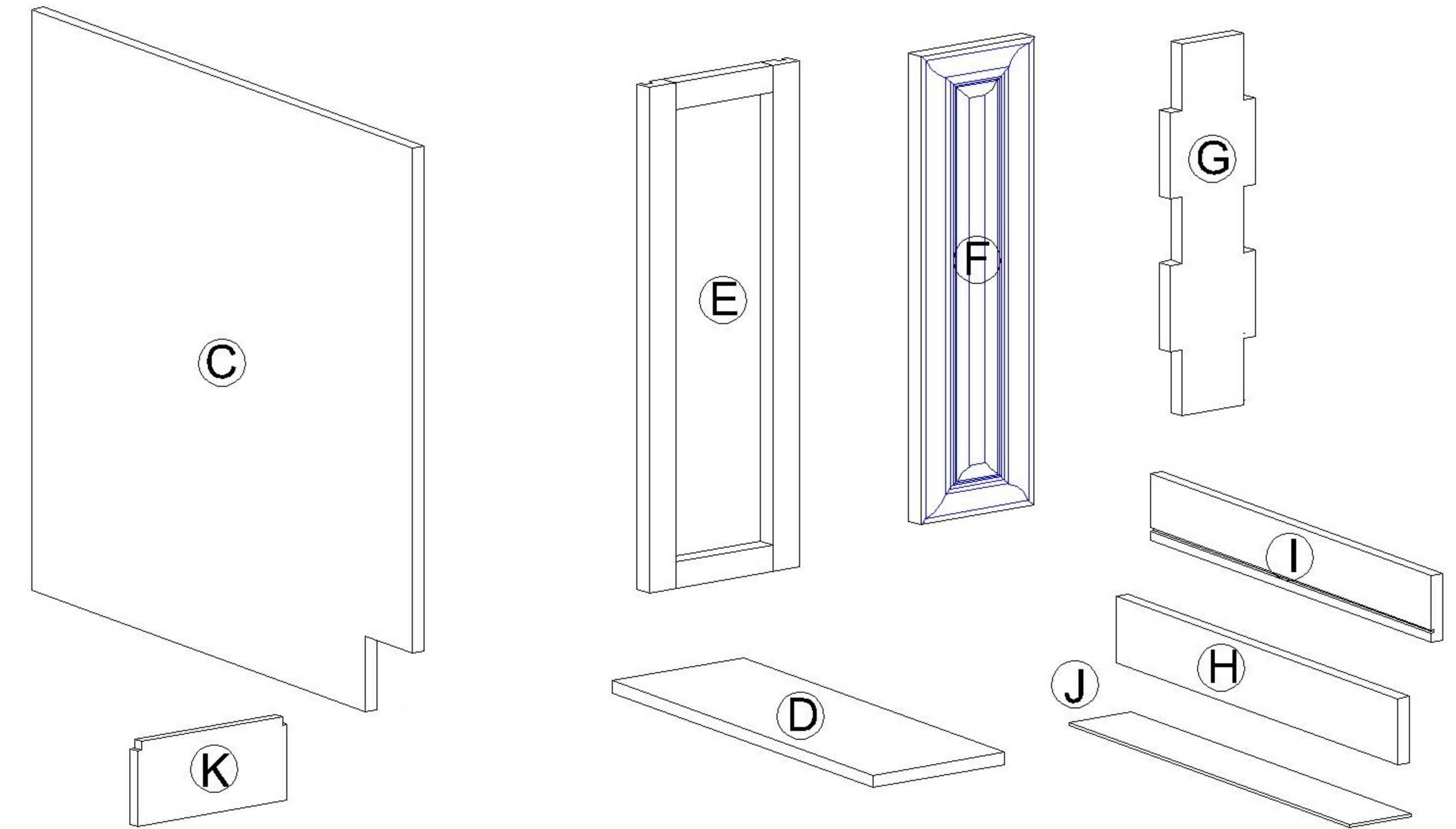
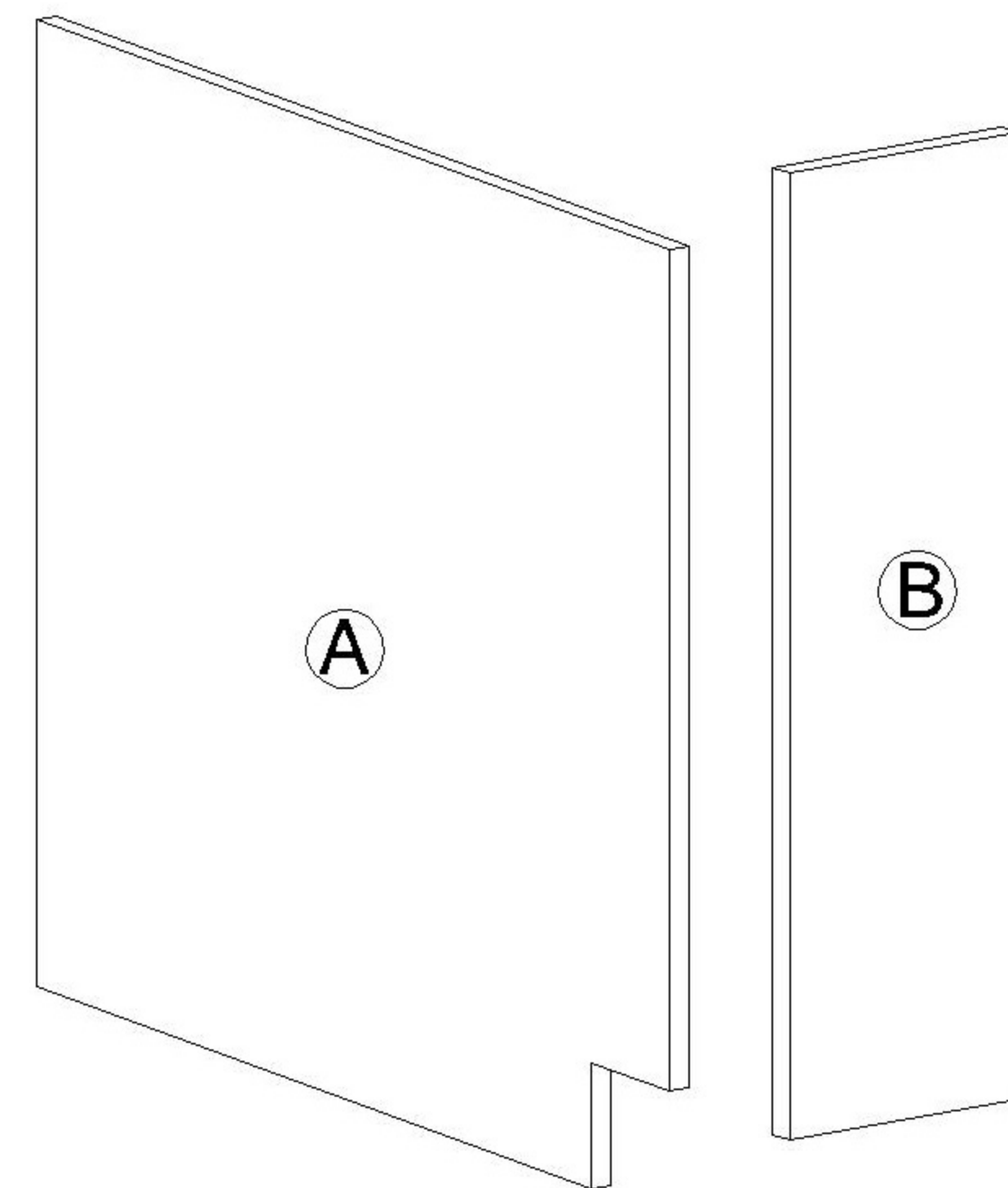
- A: Side Panel (Left)
- B: Side Panel (Right)
- C: Back Panel
- D: Divider Panel 4pcs
- E: Bottom Panel
- F: Drawer Face 5pcs
- G: Drawer Box Panel (Left)
- H: Drawer Box Panel (Back)
- I: Drawer Box Panel (Right)
- J: Drawer Box Panel (Bottom)
- K: Kick Toe



# Assembling Instruction of Wall Cabinet-D

AVAILABLE TYPE: BSR06 09 12

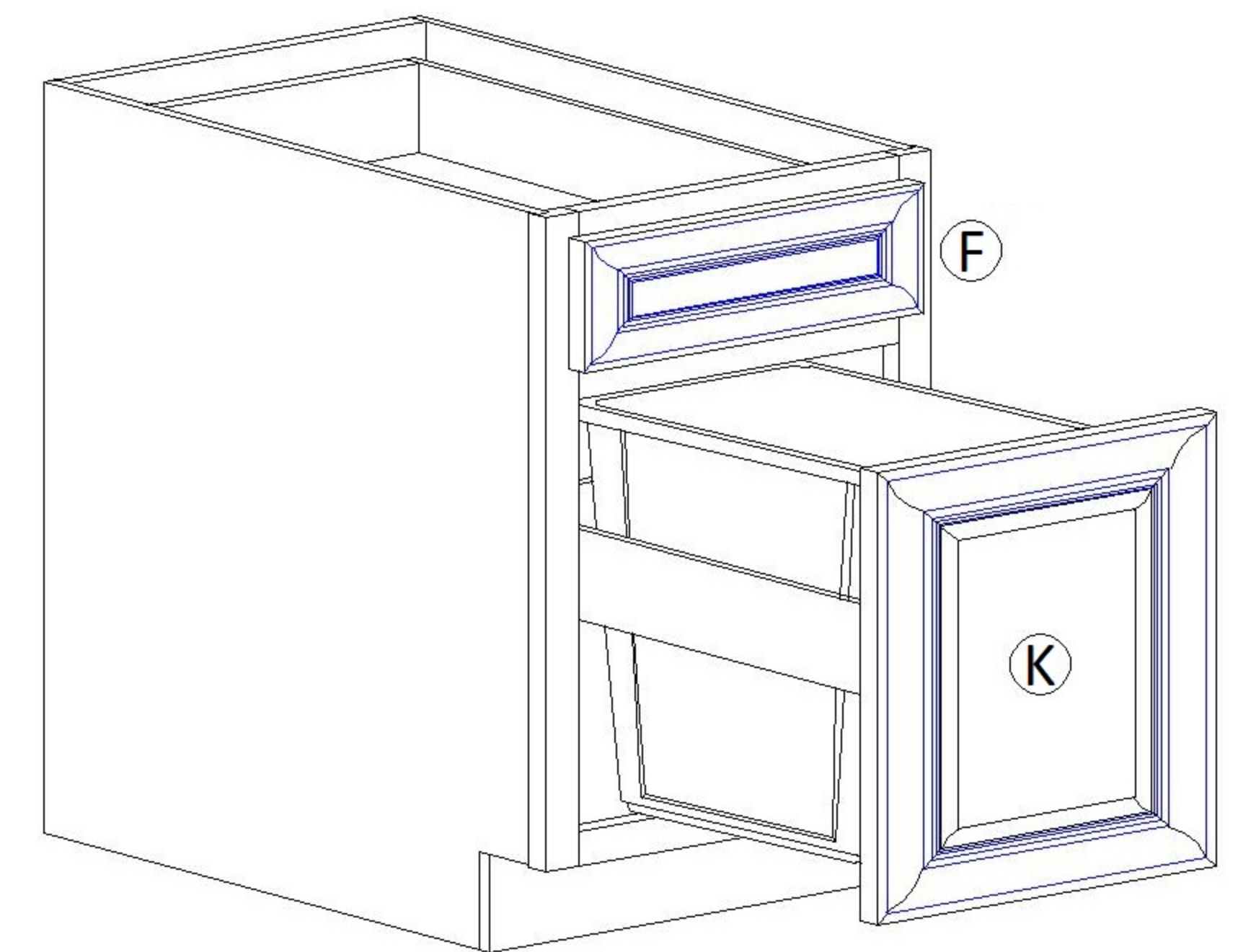
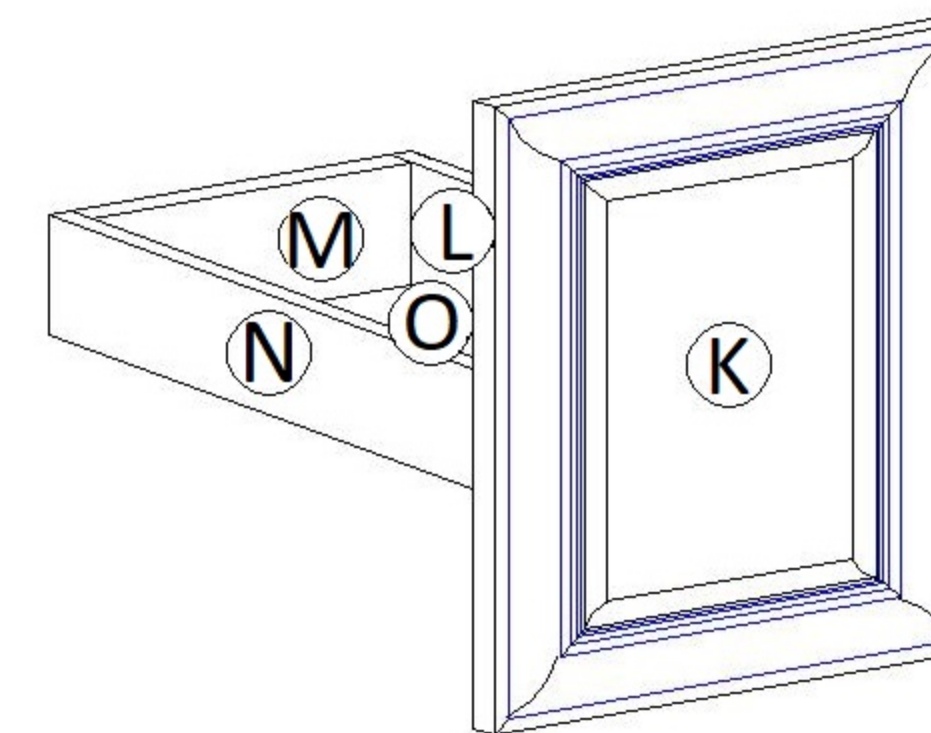
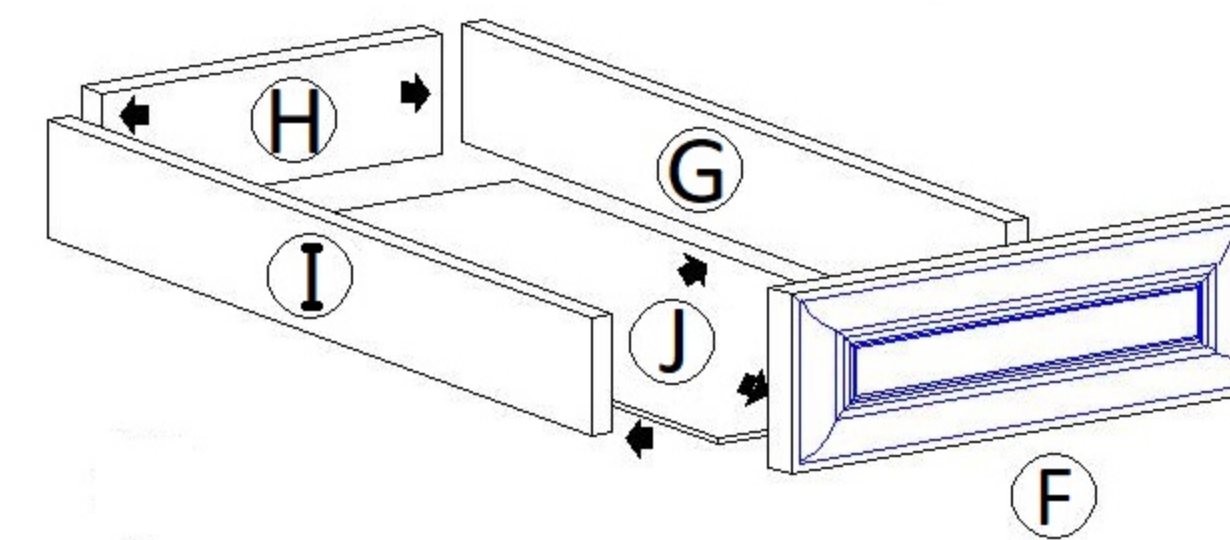
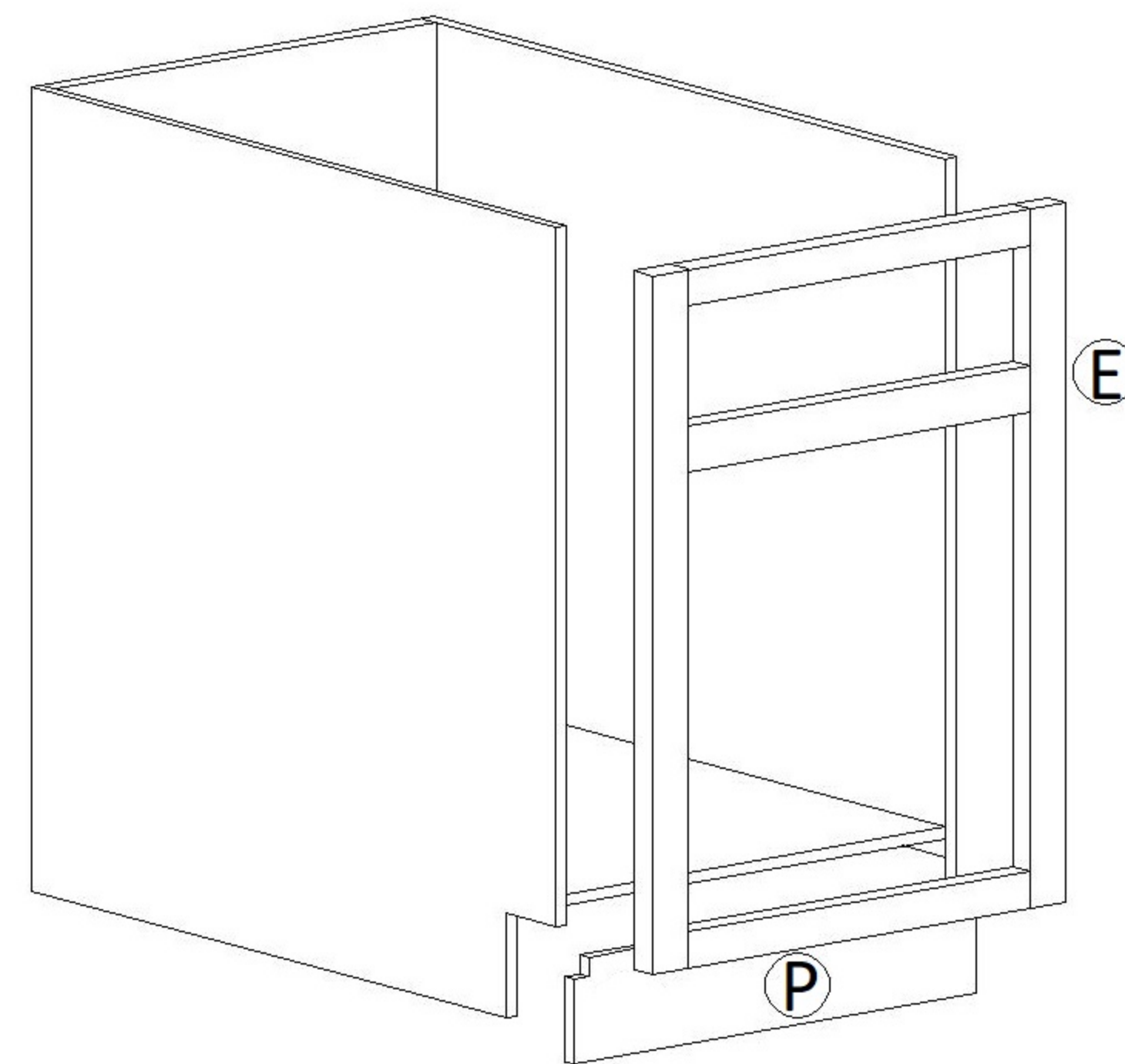
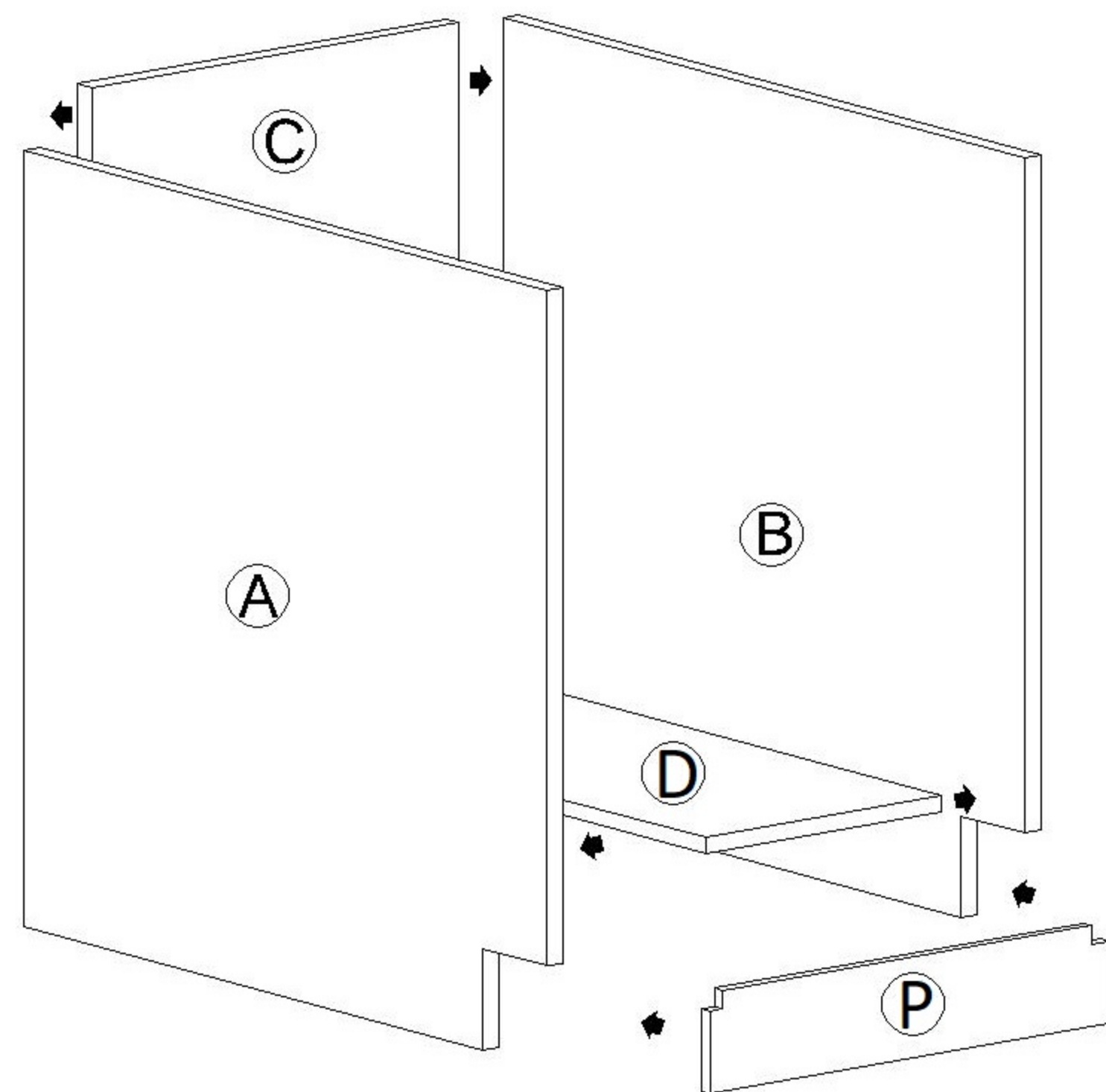
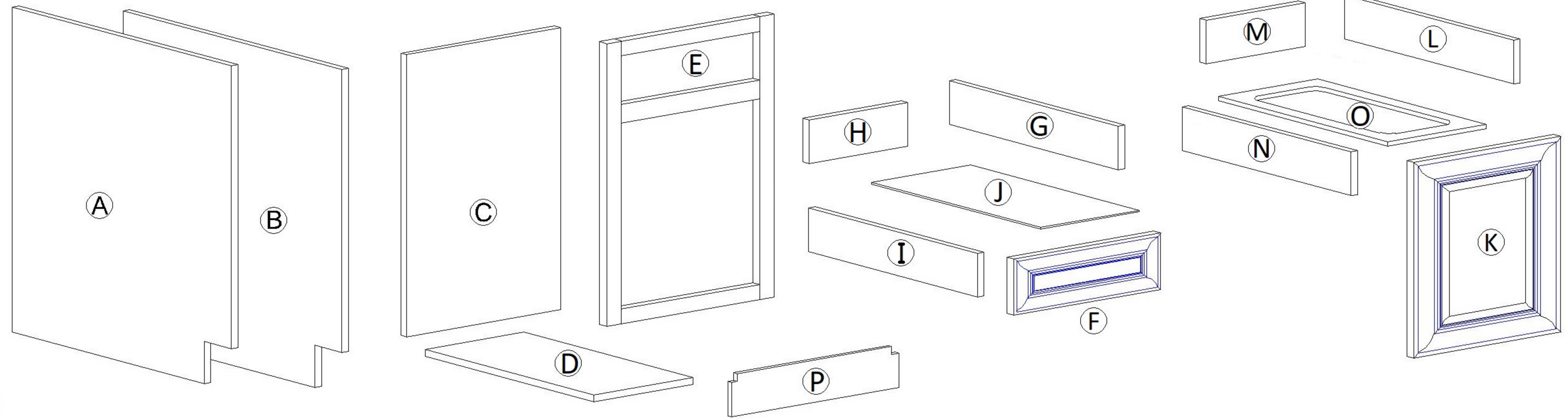
- A: Side Panel (Left)
- B: Back Panel
- C: Side Panel (Right)
- D: Bottom Panel
- E: Face Frame
- F: Drawer Face
- G: Drawer Back Panel
- H: Drawer Side Panel (Left) 3 pcs
- I: Drawer Side Panel (Right) 3 pcs
- J: Drawer Bottom Panel
- K: Toe Kick



# Assembling Instruction for Frame Base Waste Basket

AVAILABLE TYPE: BWBK18

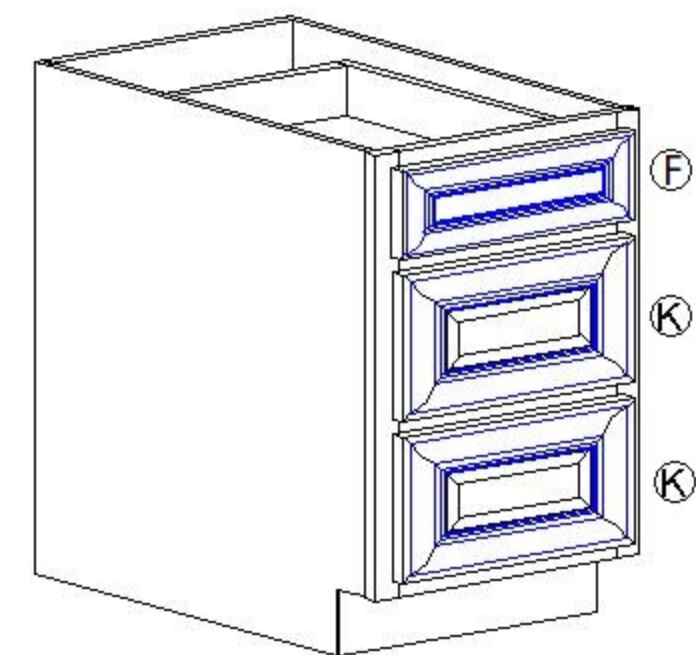
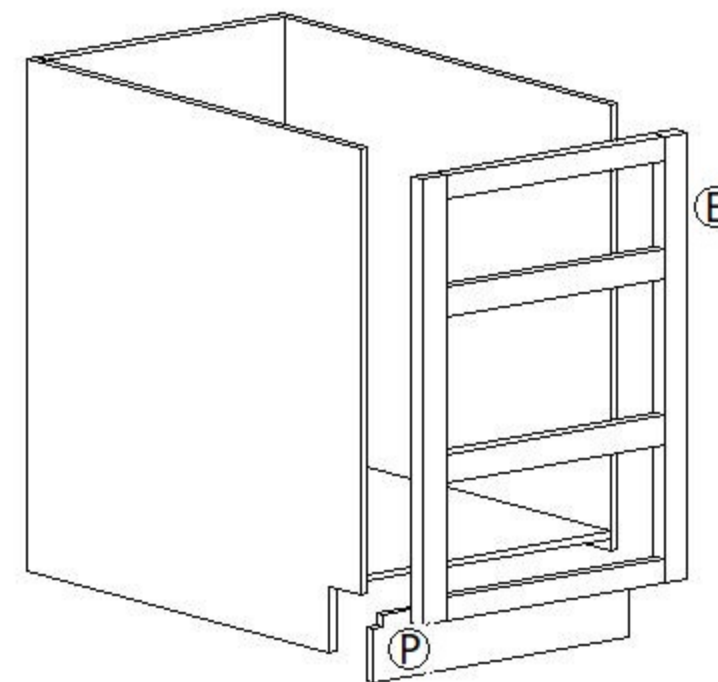
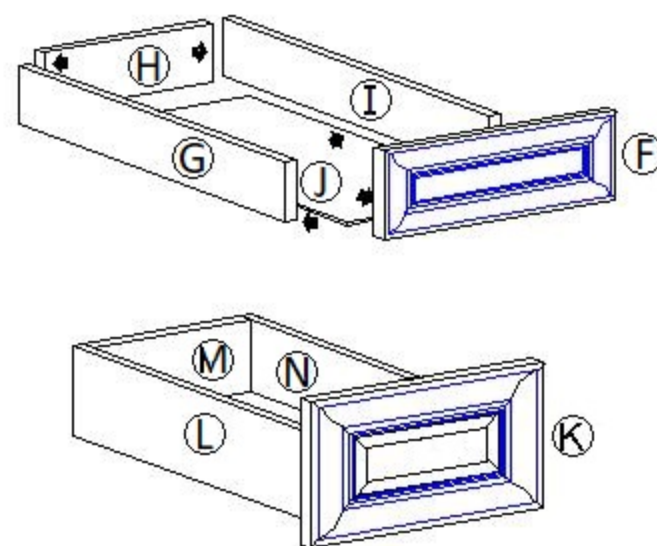
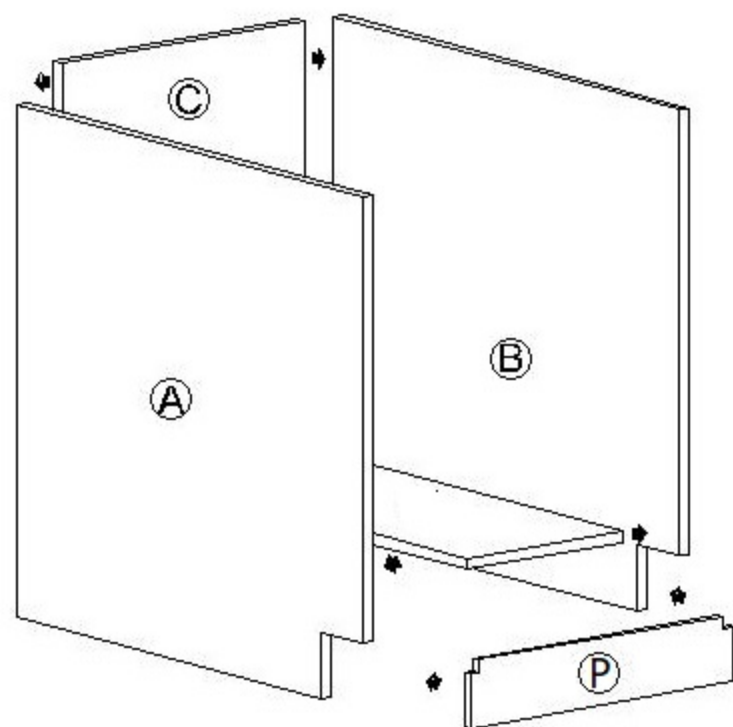
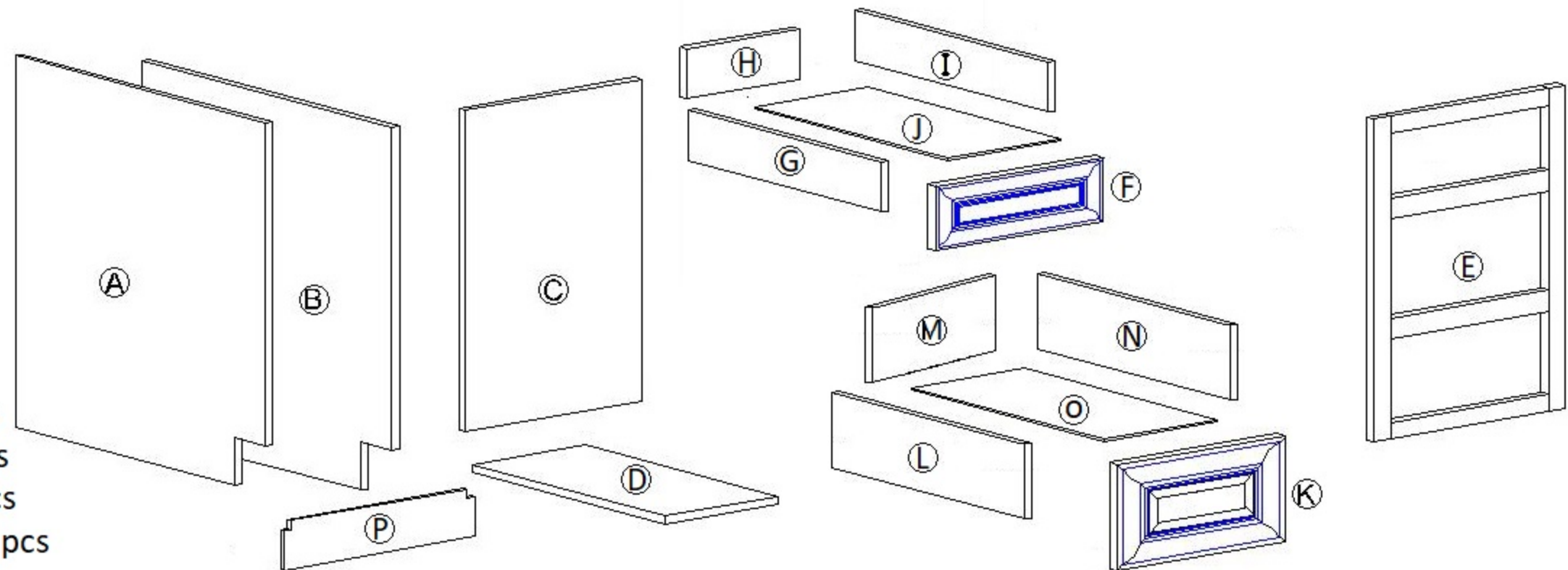
- A: Side Panel (Left)
- B: Side Panel (Right)
- C: Back Panel
- D: Bottom Panel
- E: Bottom Panel
- F: Face Frame
- G: Top Drawer Panel (Left)
- H: Top Drawer Panel (Back)
- I: Top Drawer Panel (Right)
- J: Drawer Box Bottom Panel
- K: Bottom Drawer Face
- L: Bottom Drawer Panel (Left)
- M: Bottom Drawer Panel (Back)
- N: Bottom Drawer Panel (Right)
- O: Bottom Drawer Panel (Bottom)
- P: Toe Kick



# Assembling Instruction for Frame Drawer Base Cabinet - 3 Drawers

AVAILABLE TYPE : DB12-3 DB15-3 DB18-3 DB21-3 DB24-3  
DB27-3 DB30-3 DB33-3 DB36-3

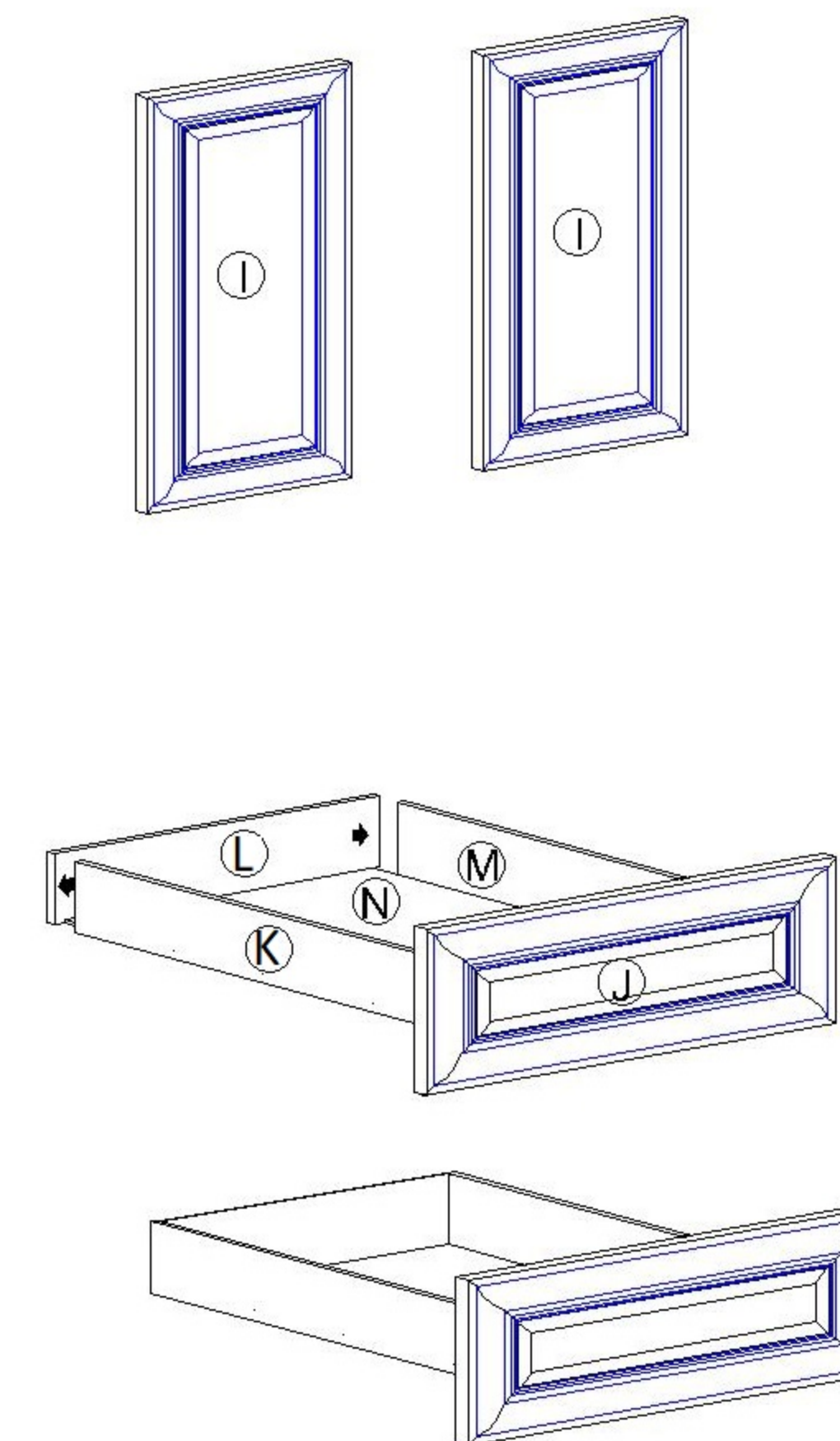
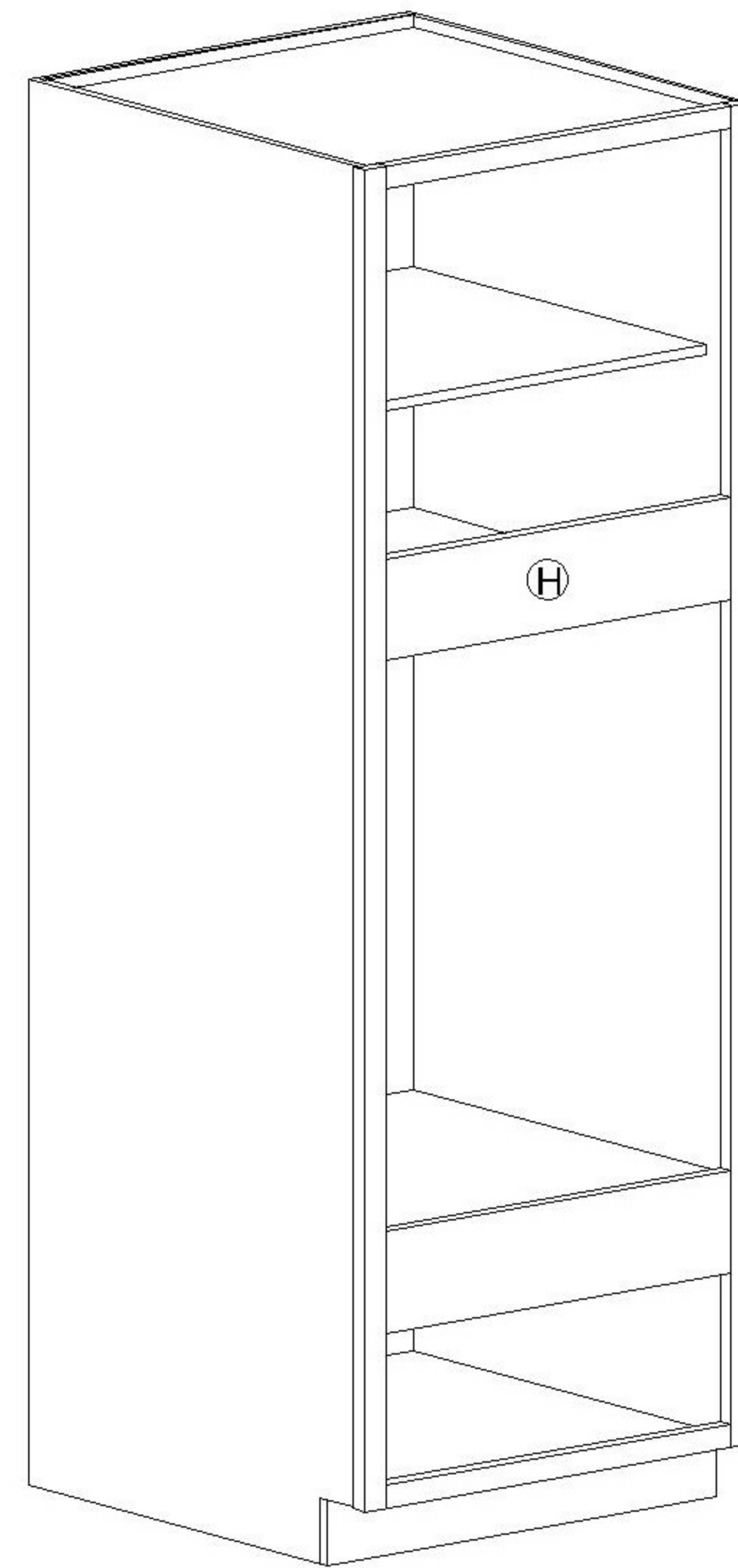
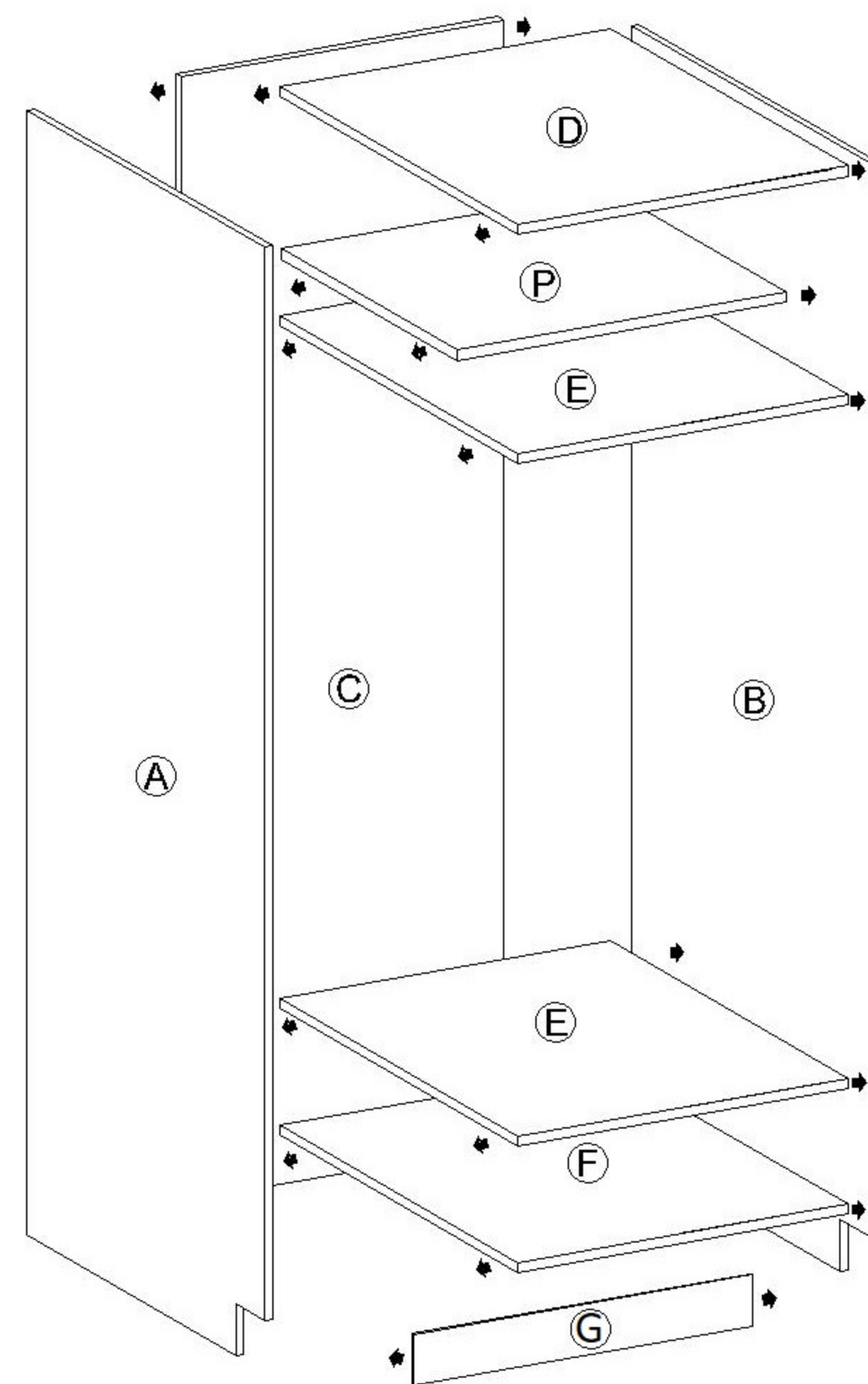
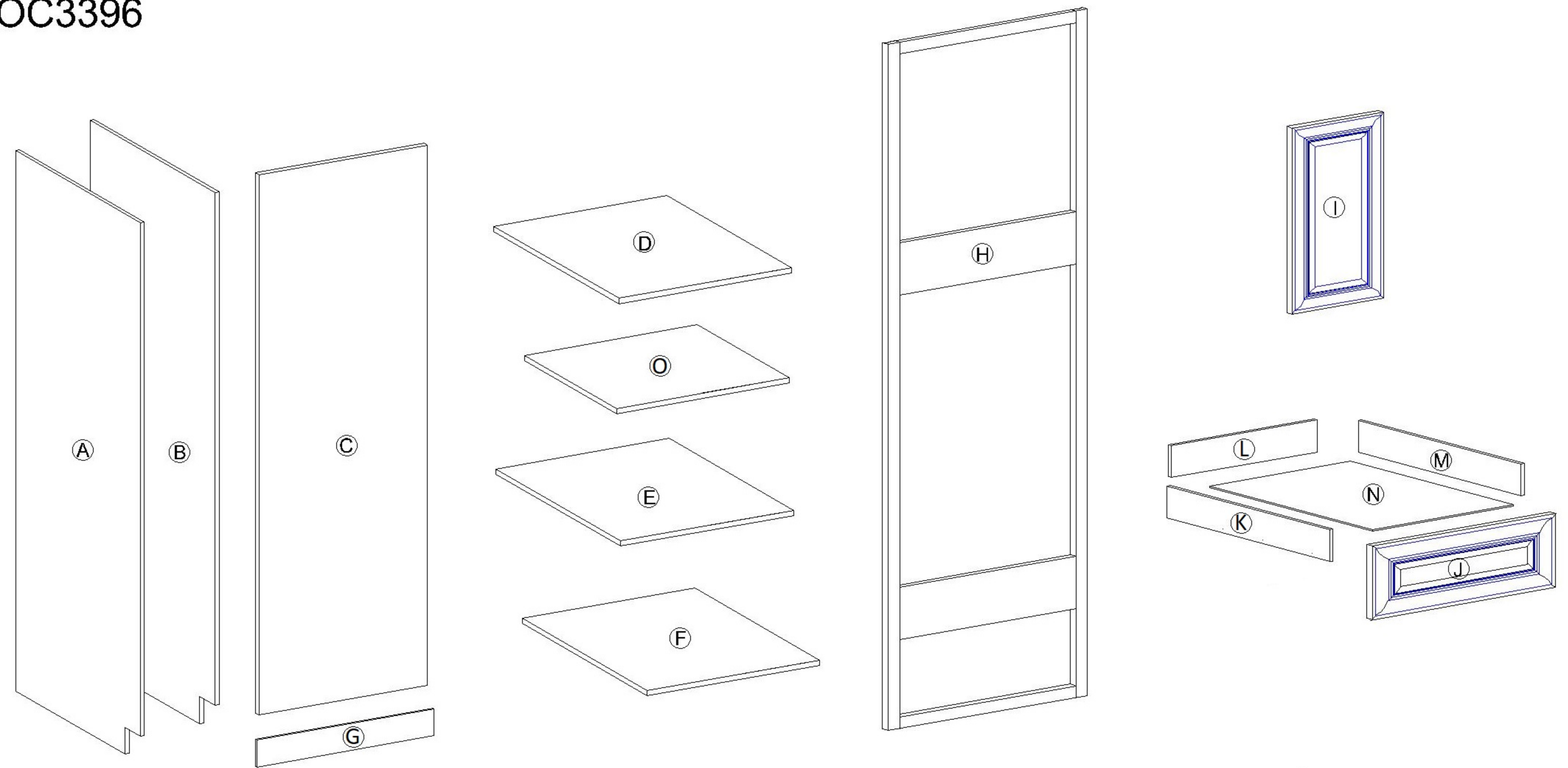
- A: Side Panel (Left)
- B: Side Panel (Right)
- C: Back Panel
- D: Bottom Panel
- E: Face Frame
- F: Drawer Panel (Face)
- G: Small Drawer Panel (Left)
- H: Small Drawer Panel (Back)
- I: Small Drawer Panel (Right)
- J: Small Drawer Panel (Bottom)
- K: Large Drawer Face 2 pcs
- L: Large Drawer Panel (Left) 2 pcs
- M: Large Drawer Panel (Back) 2 pcs
- N: Large Drawer Panel (Right) 2 pcs
- O: Large Drawer Panel (Bottom) 2 pcs
- P: Toe Kick



# Assembling Instruction for Frame Double Oven Cabinet

AVAILABLE TYPE : DOC3384 DOC3390 DOC3396

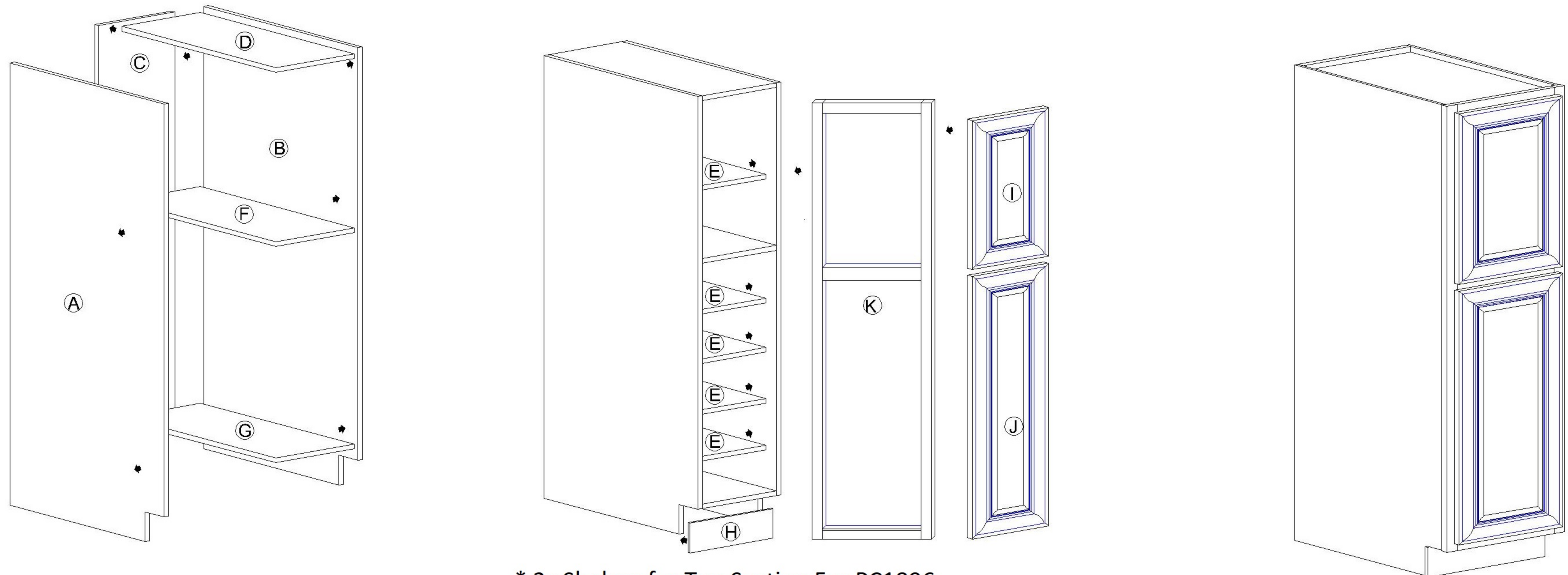
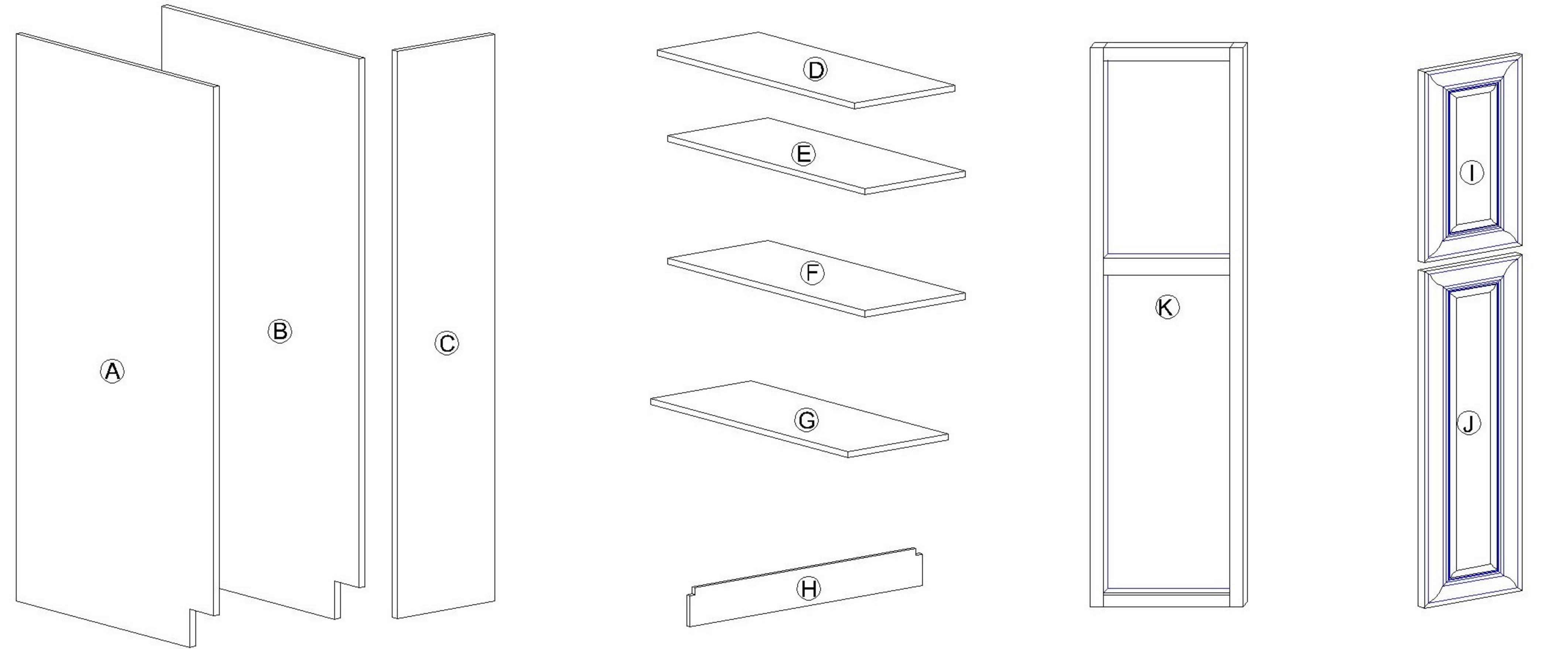
- A: Side Panel (Left)
- B: Side Panel (Right)
- C: Back Panel
- D: Top Panel
- E: Mid Panel 2pcs
- F: Bottom Panel
- G: Toe Kick
- H: Face Frame
- I: Doors 2pcs
- J: Drawer Face
- k: Drawer Box Panel (Left)
- L: Drawer Box Panel (Right)
- M: Drawer Box Panel (Back)
- X: Drawer Box Panel (Bottom)
- O: Shelf (Adjustable Height)



# Assembling Instruction for Frame Pantry - 2 Doors

AVAILABLE TYPE: PC1884 PC1890 PC1896\*

- A: Side Panel (Left)
- B: Drawer Box Panel (Left)
- C: Back Panel
- D: Top Panel
- E: Shelf (Adjustable Height)
- F: Mid Panel
- G: Bottom Panel
- H: Toe Kick
- I: Top Door
- J: Bottom Door
- K: Face Frame

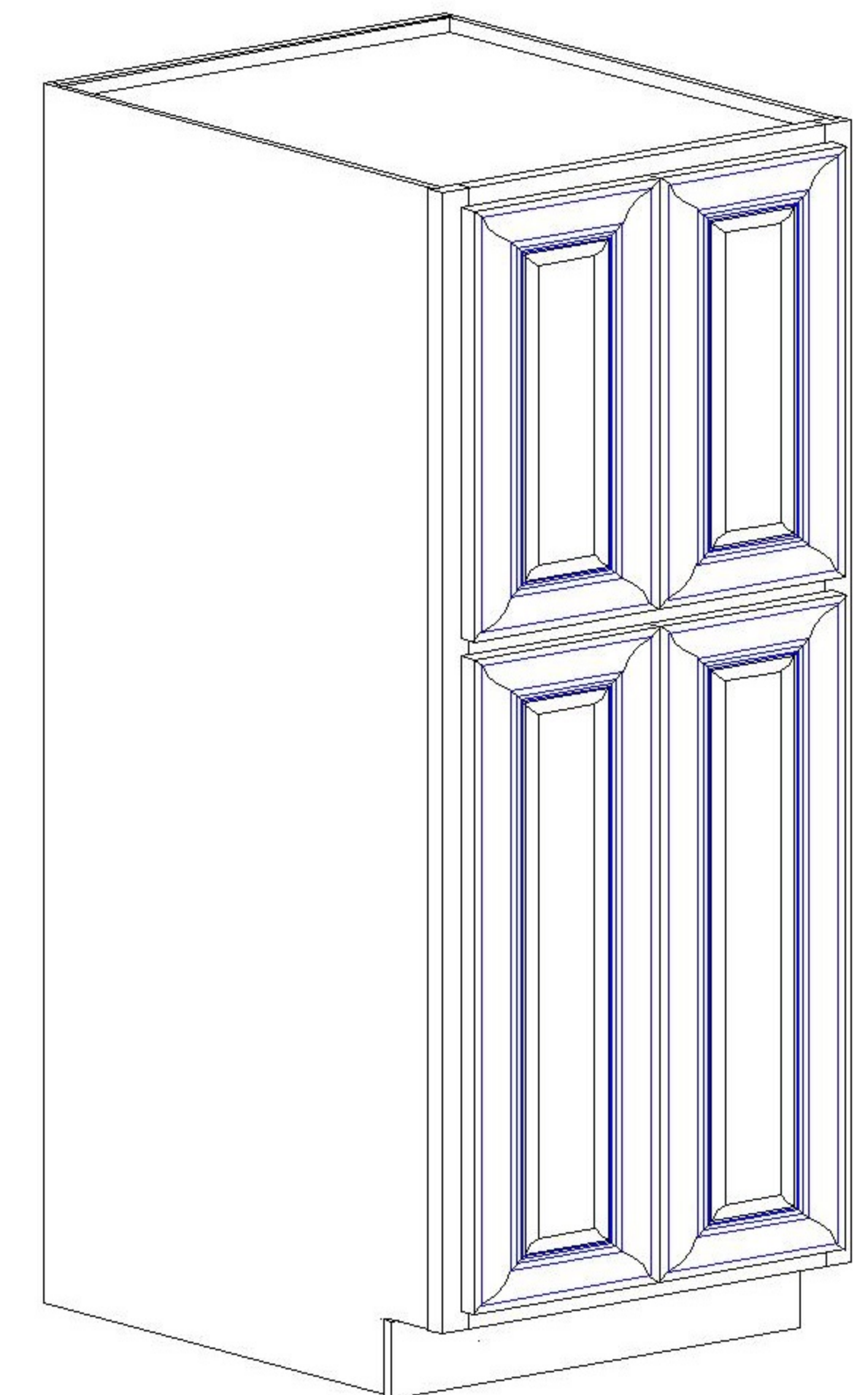
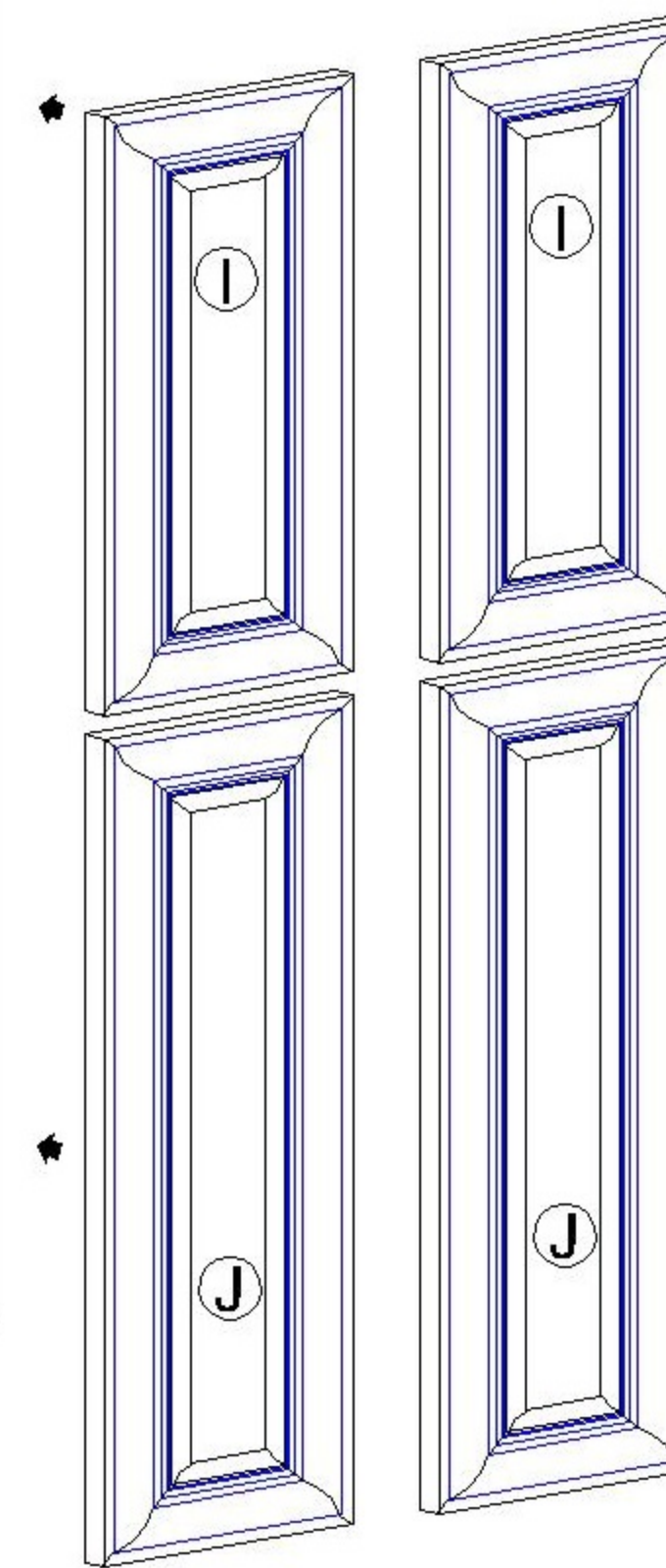
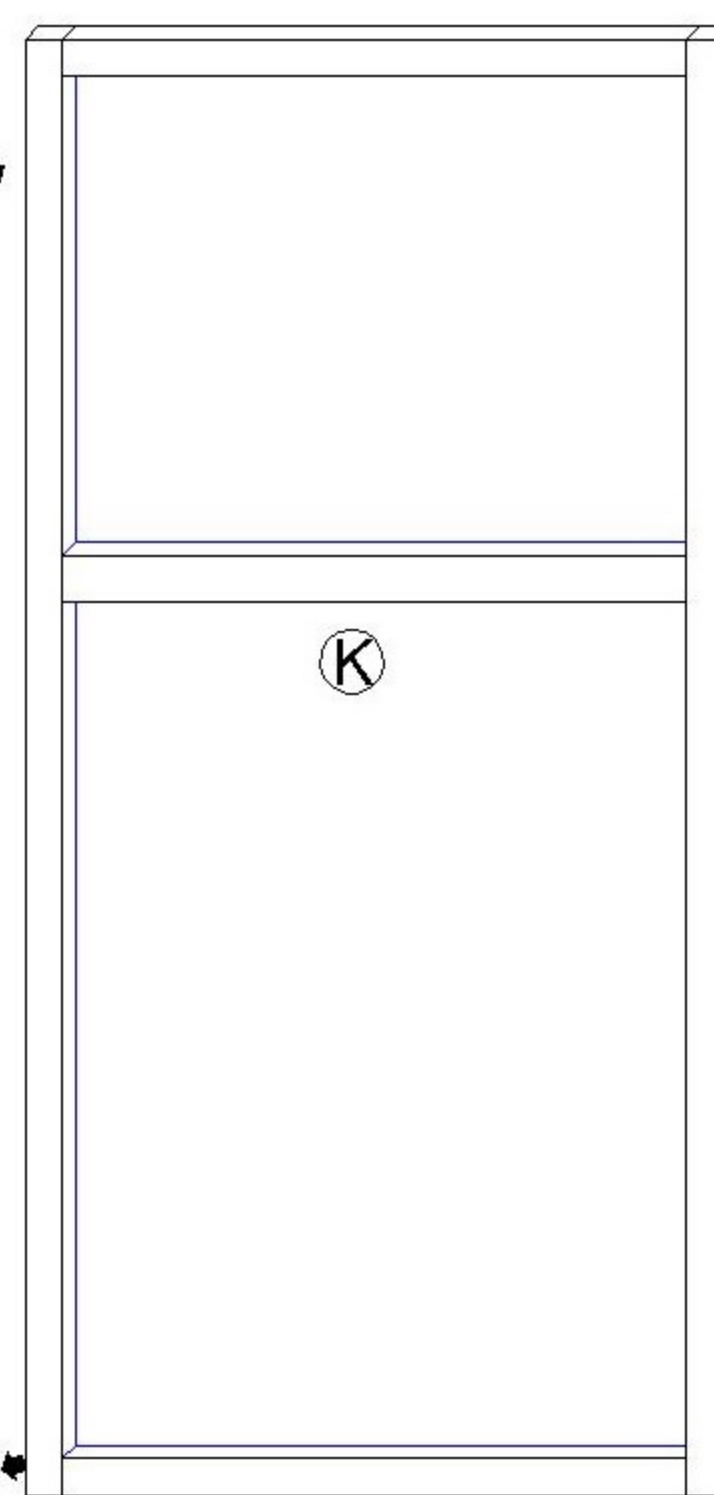
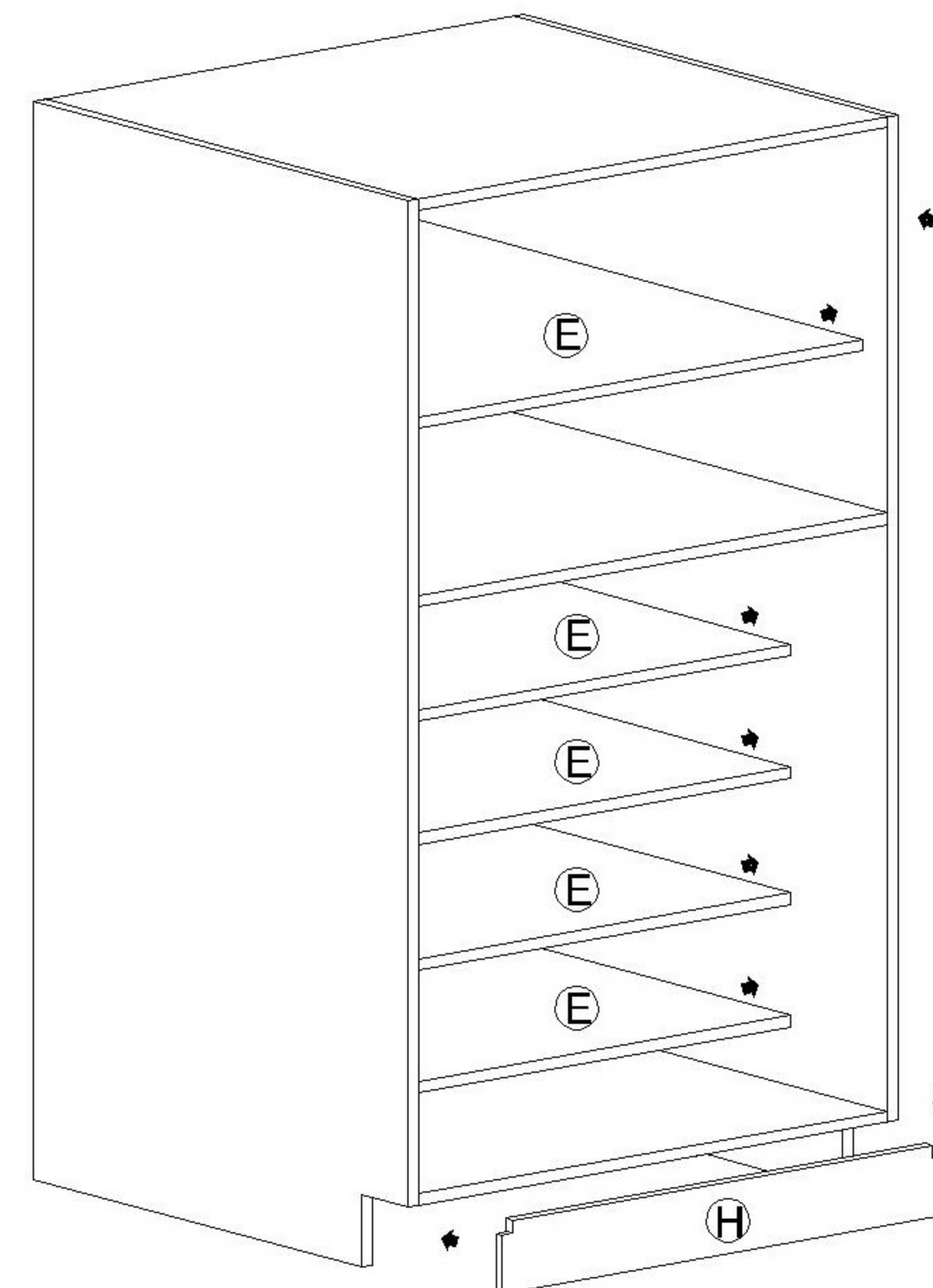
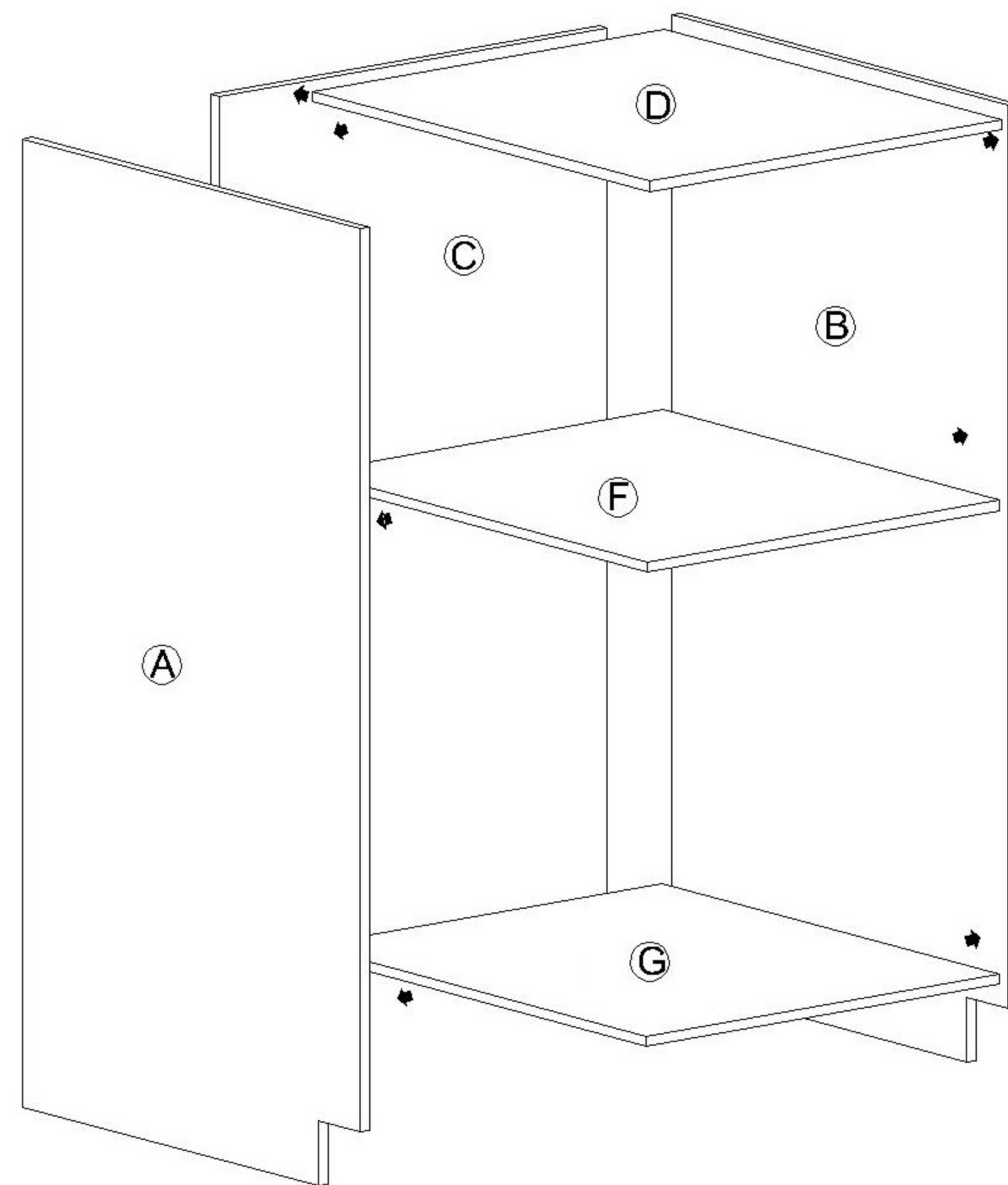
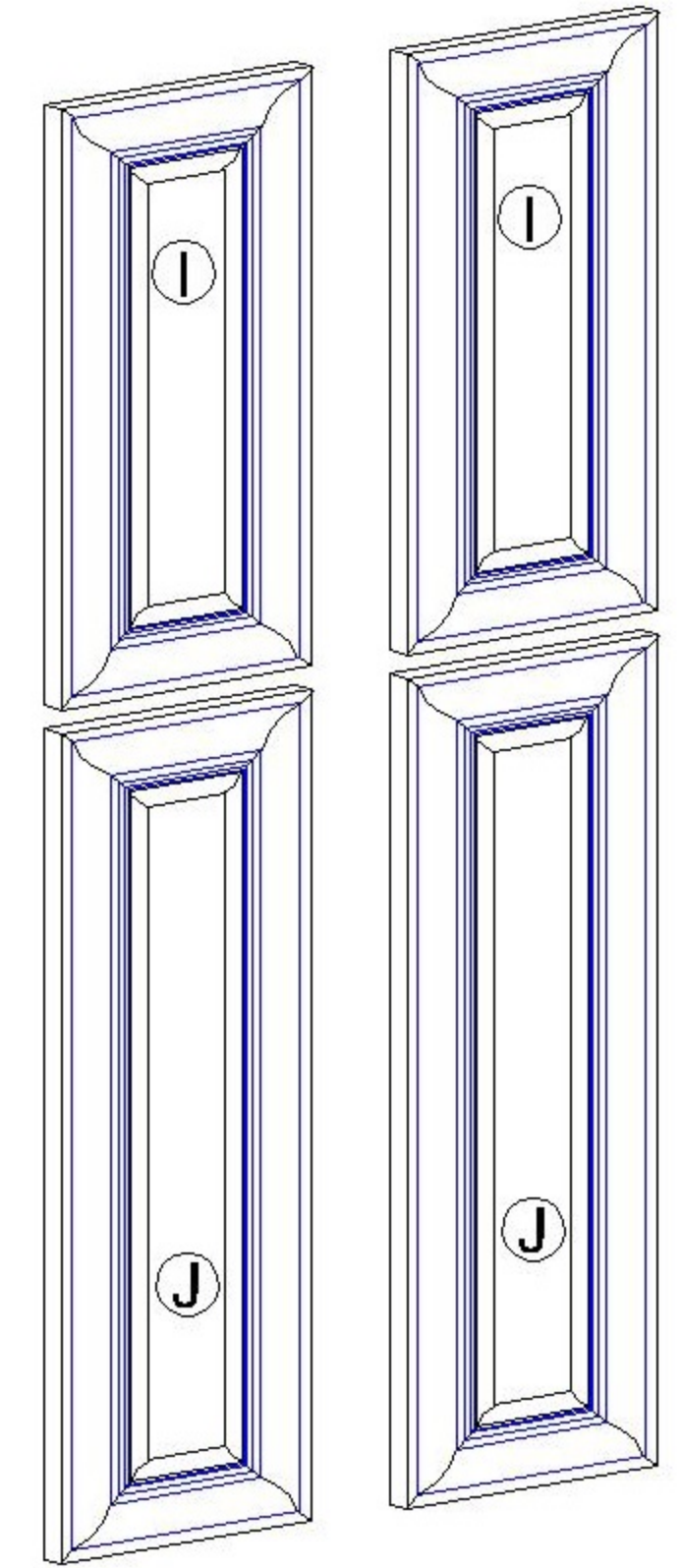
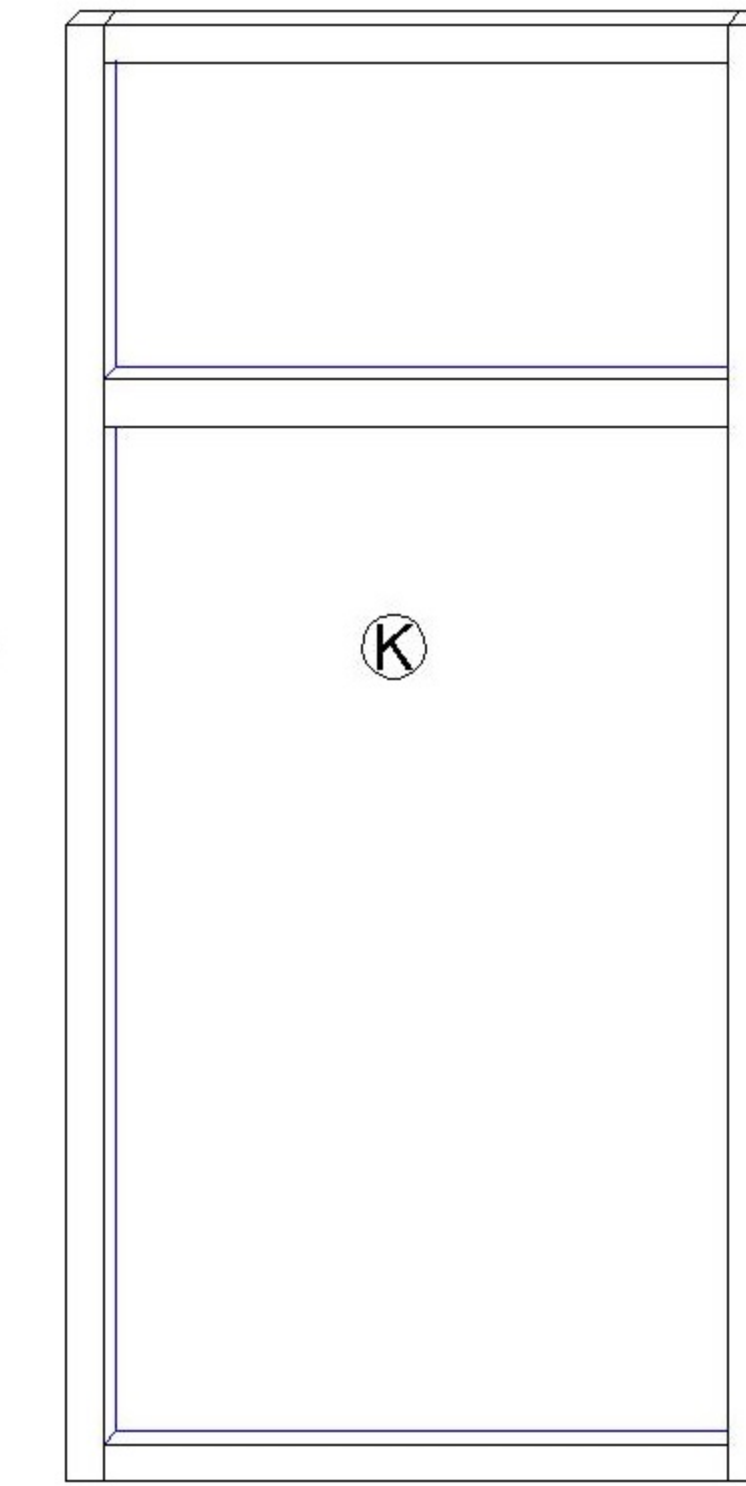
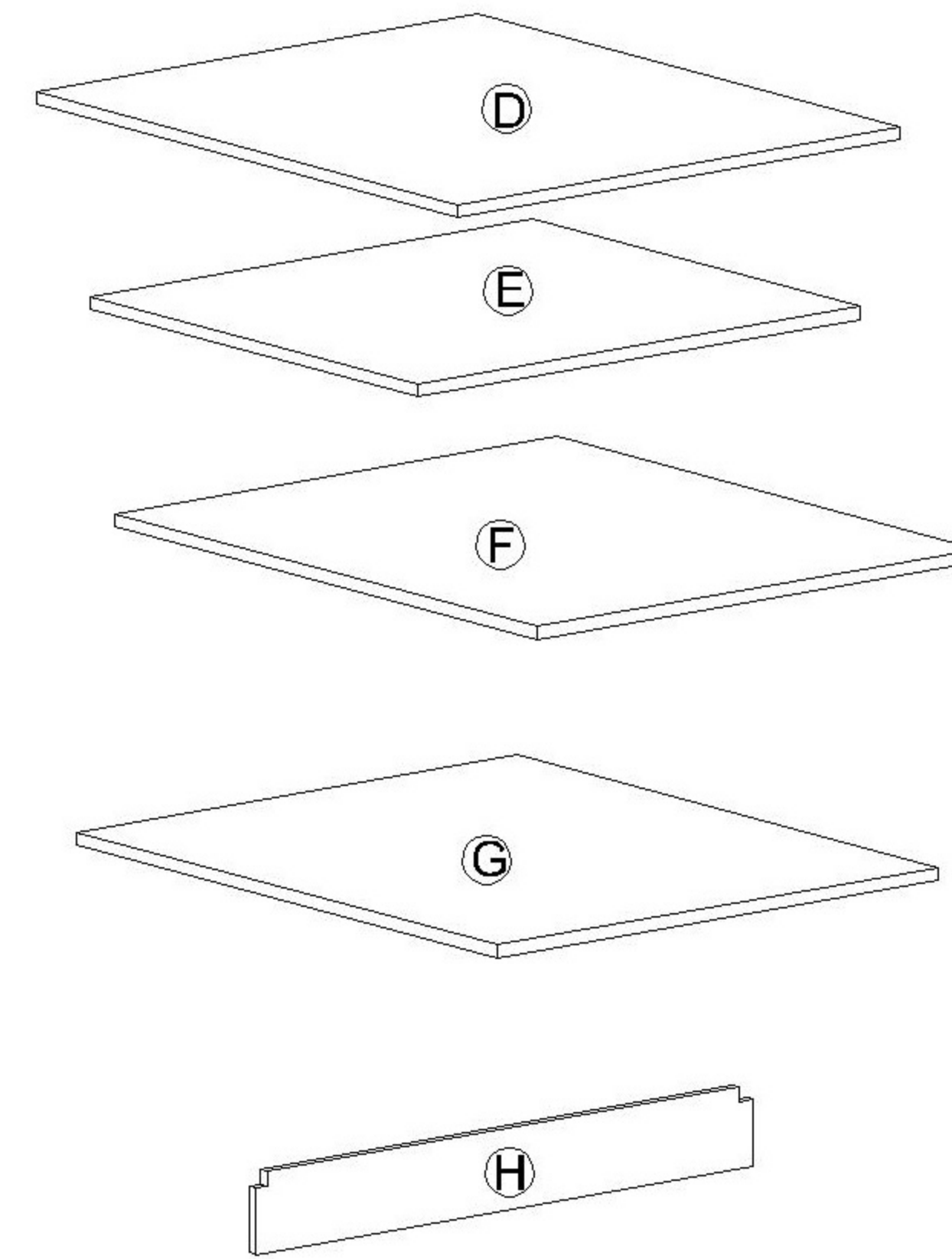
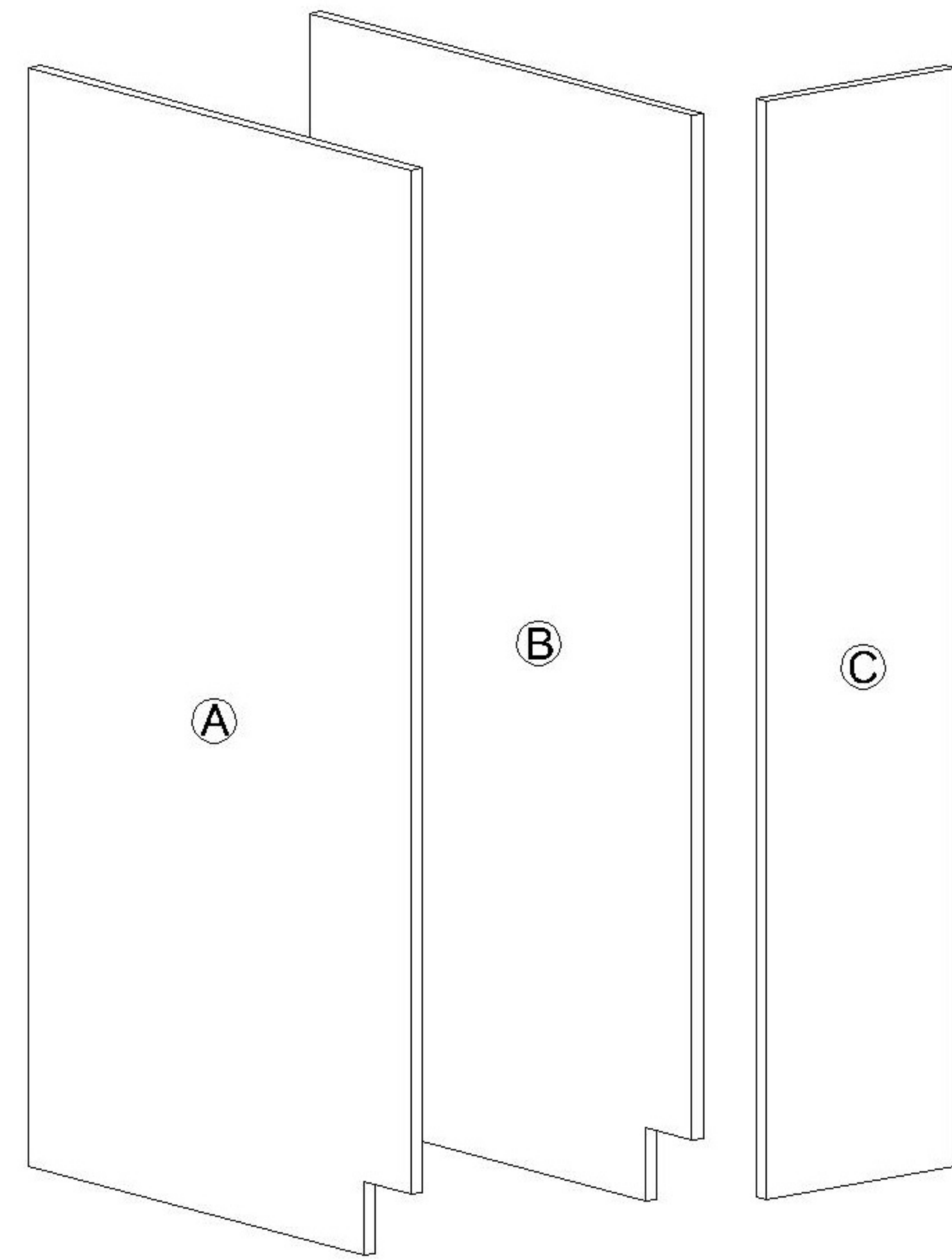


\* 2x Shelves for Top Section For PC1896

# Assembling Instruction for Pantry Cabinet - 4 Doors

AVAILABLE TYPE: PC2484 PC2490 PC2494  
PC3084 PC3090 PC3096

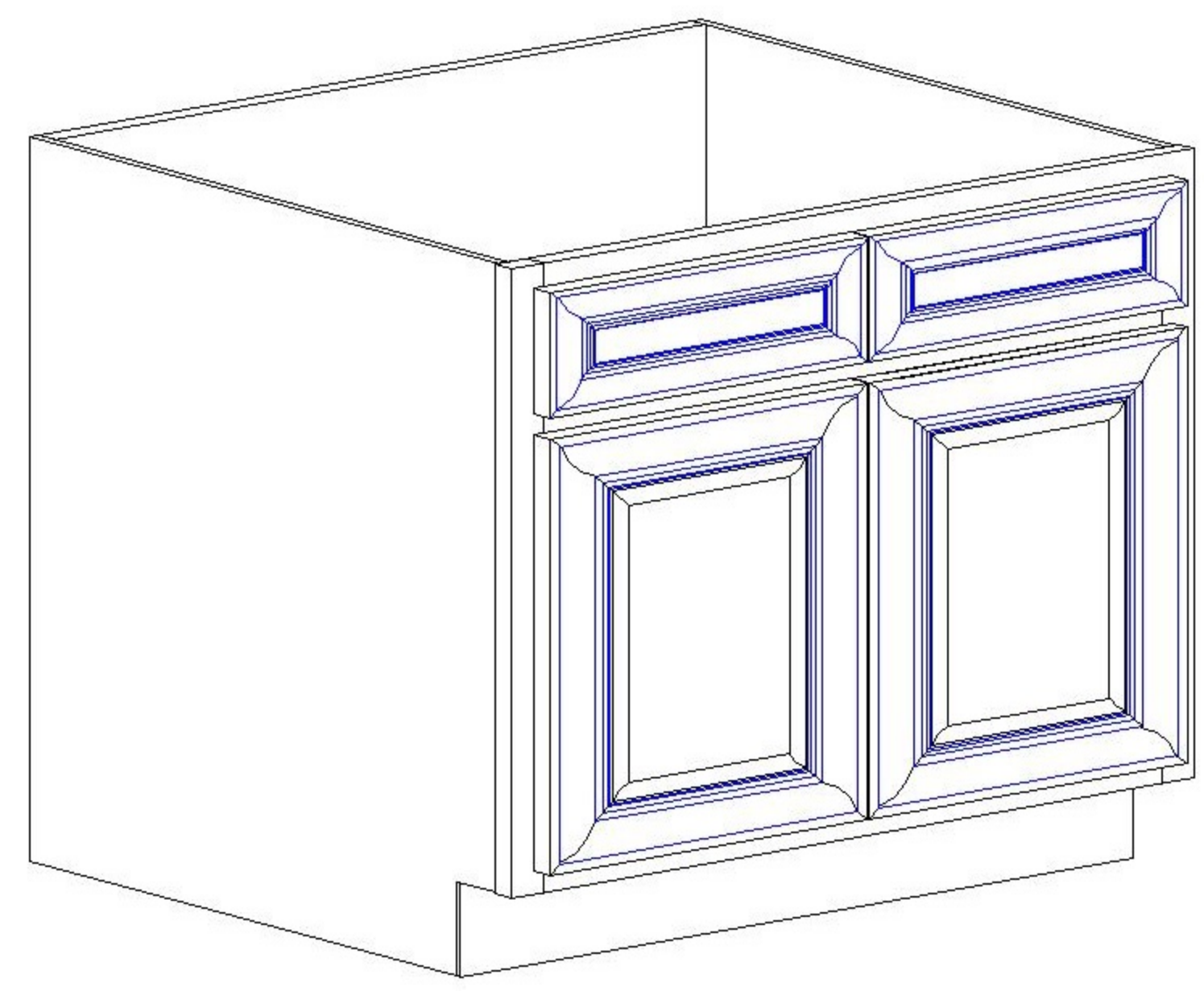
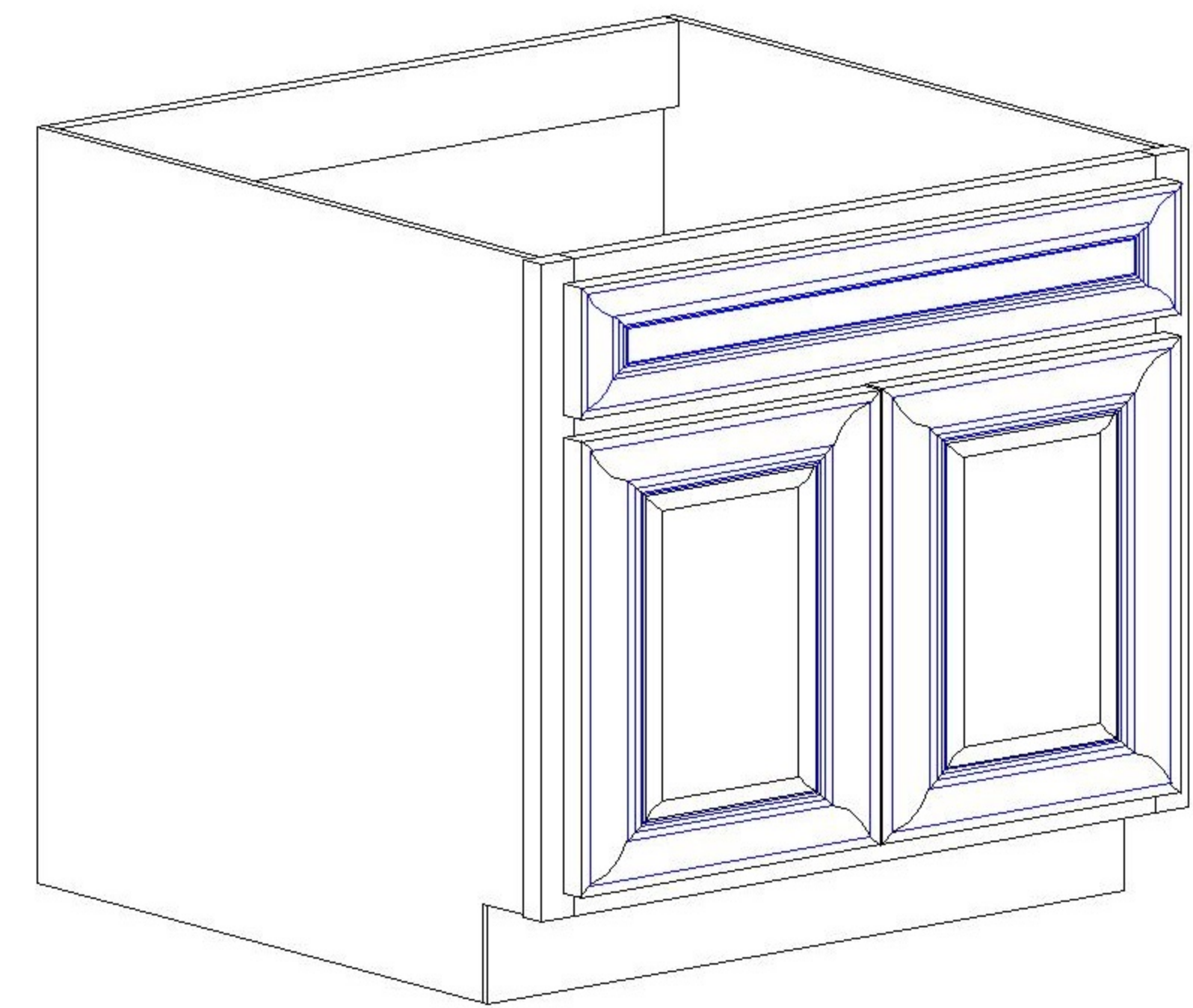
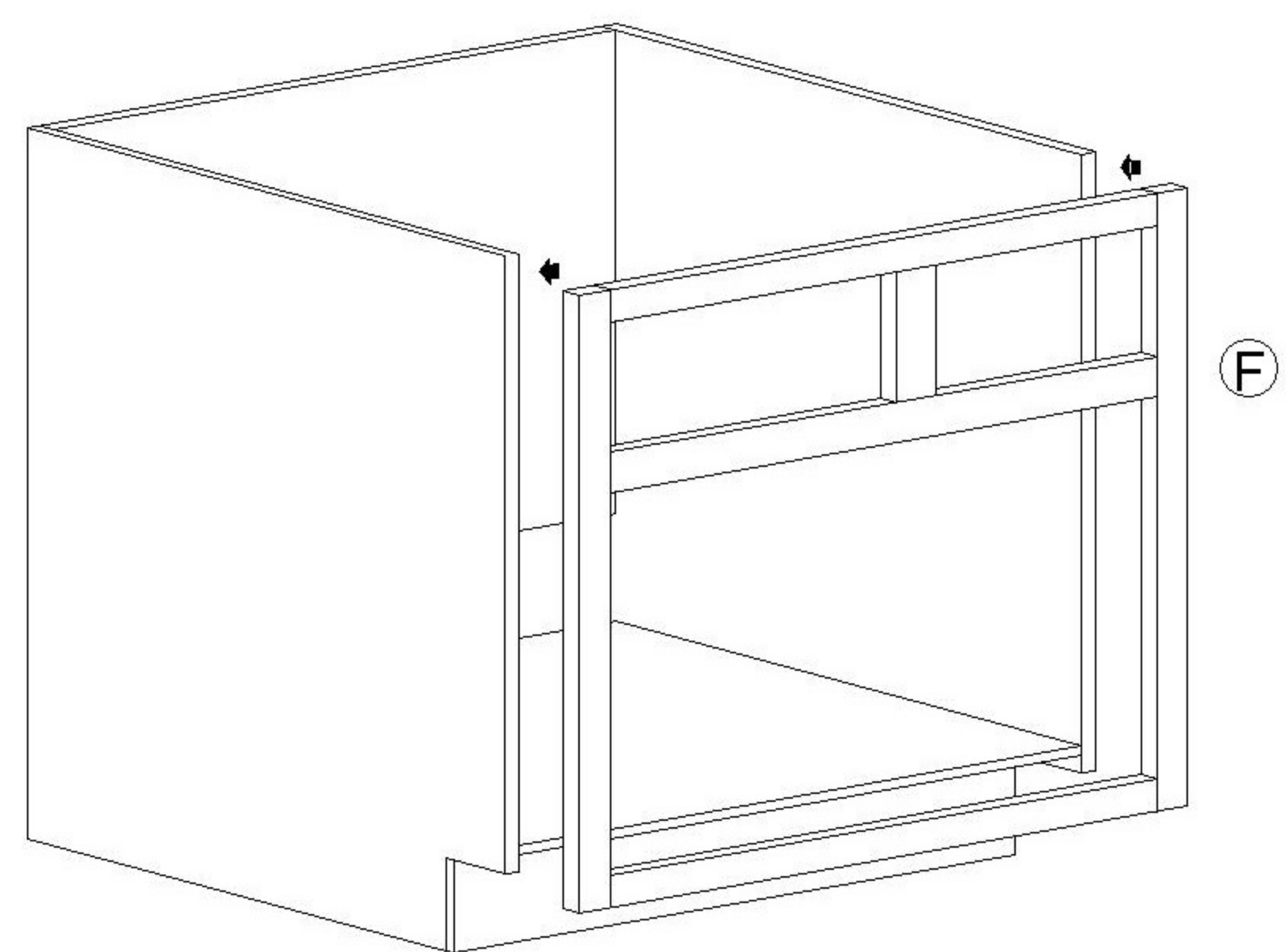
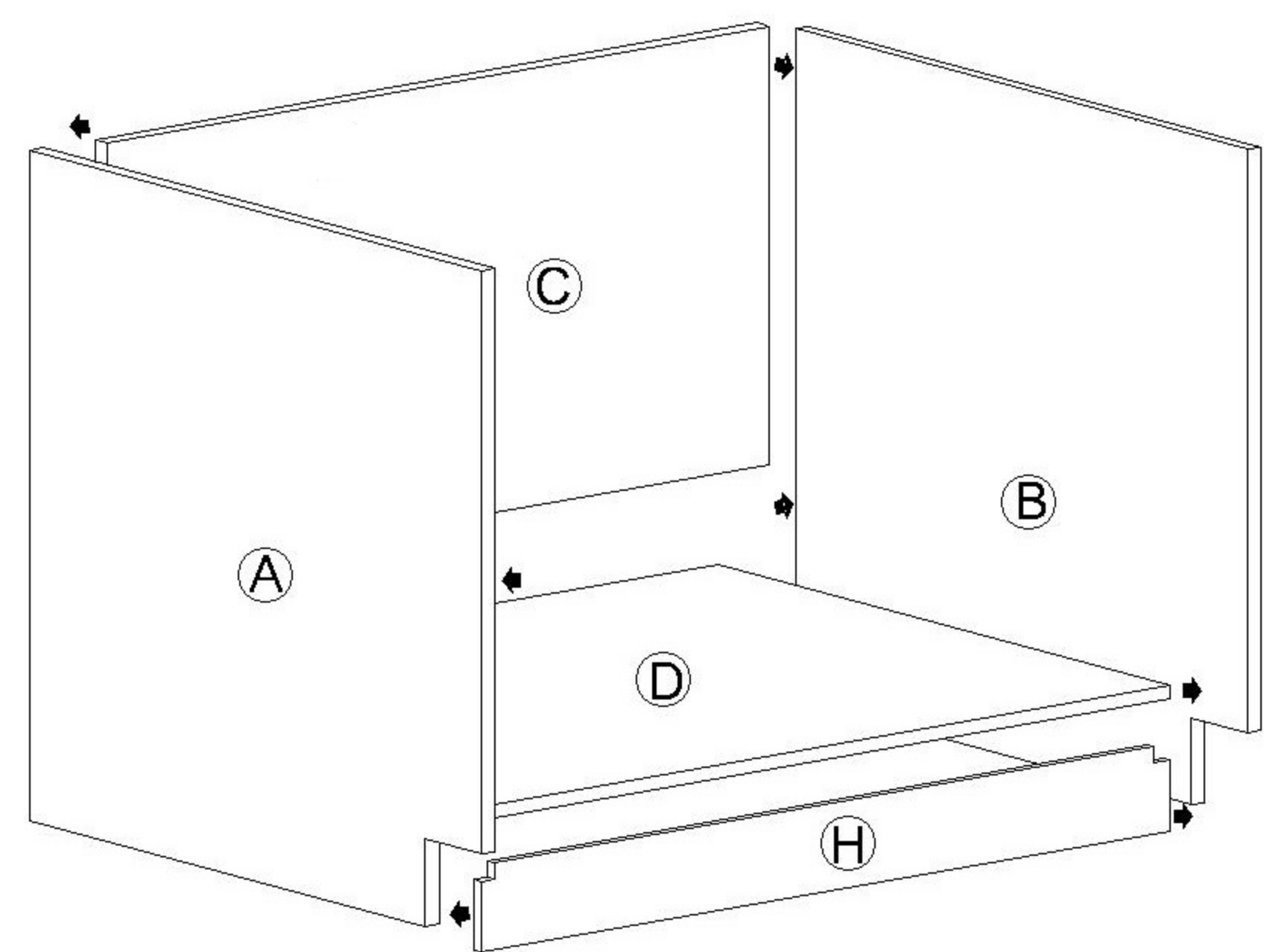
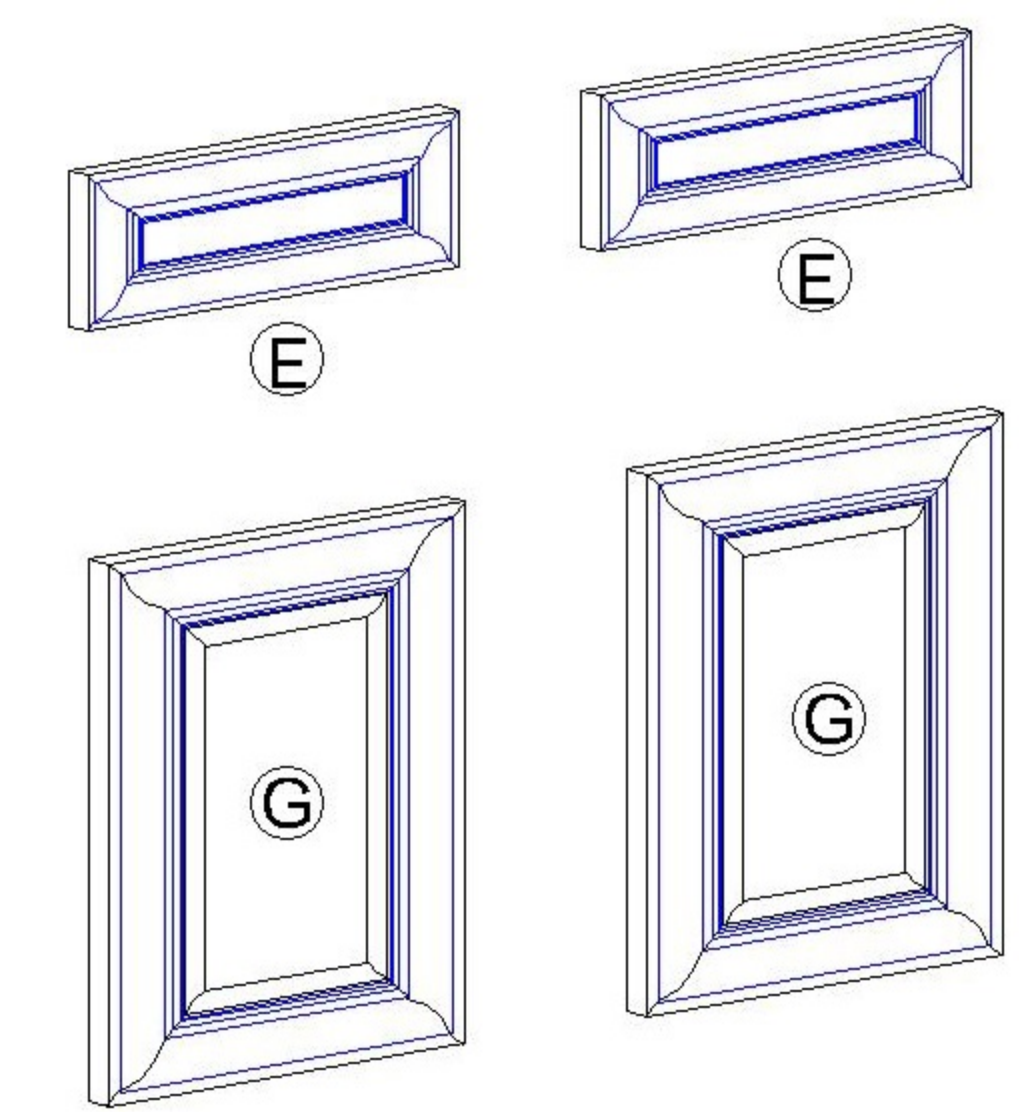
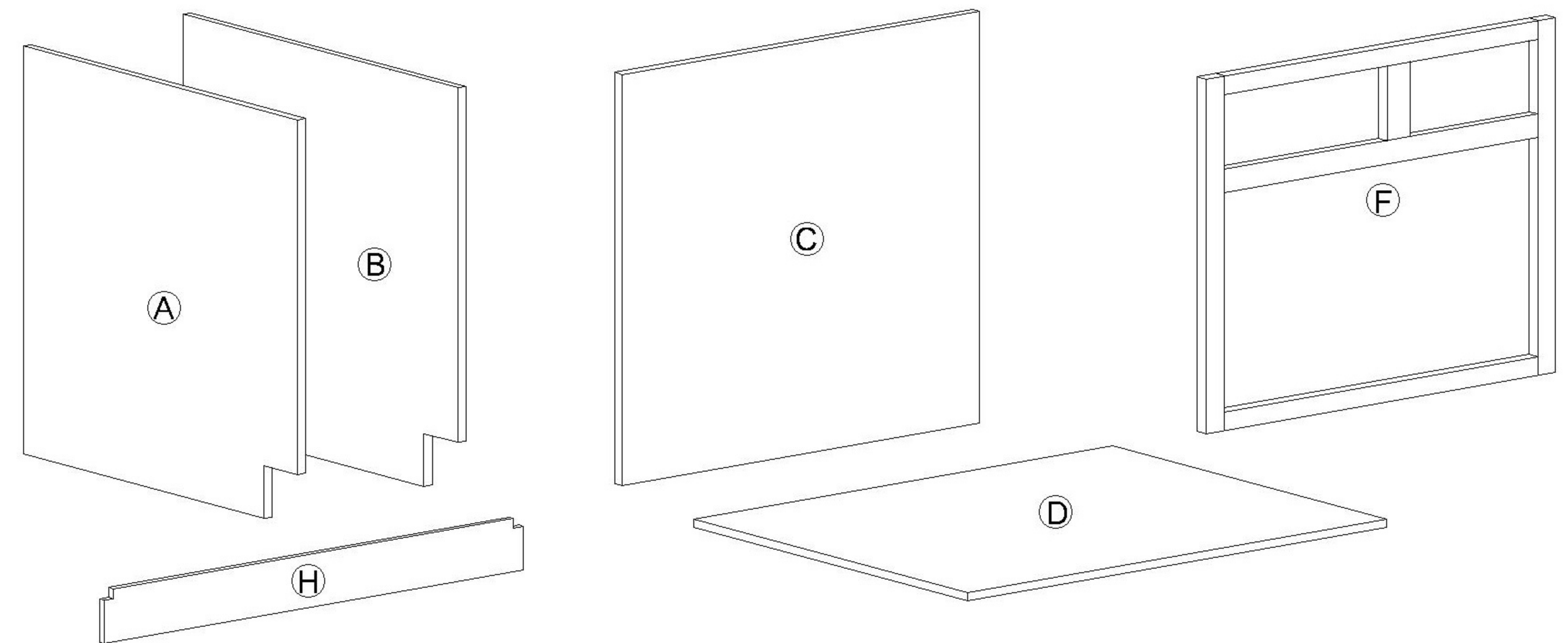
- A: Side Panel (Left)
- B: Side Panel (Right)
- C: Back Panel
- D: Top Panel
- E: Shelf (Adjustable Height)
- F: Mid Panel
- G: Bottom Panel
- H: Toe Kick
- I: Top Doors 2pcs
- J: Bottom Doors 2pcs
- K: Face Frame



# Assembling Instruction for Frame Sink Base

AVAILABLE TYPE : SB24 SB27 SB30 SB33 SB36 SB39 SB42

- A: Side Panel (Left)
- B: Side Panel (Right)
- C: Back Panel
- D: Bottom Panel
- E: Fake Drawer Face 2pcs
- F: Face Frame
- G: Doors 2pcs
- H: Toe Kick



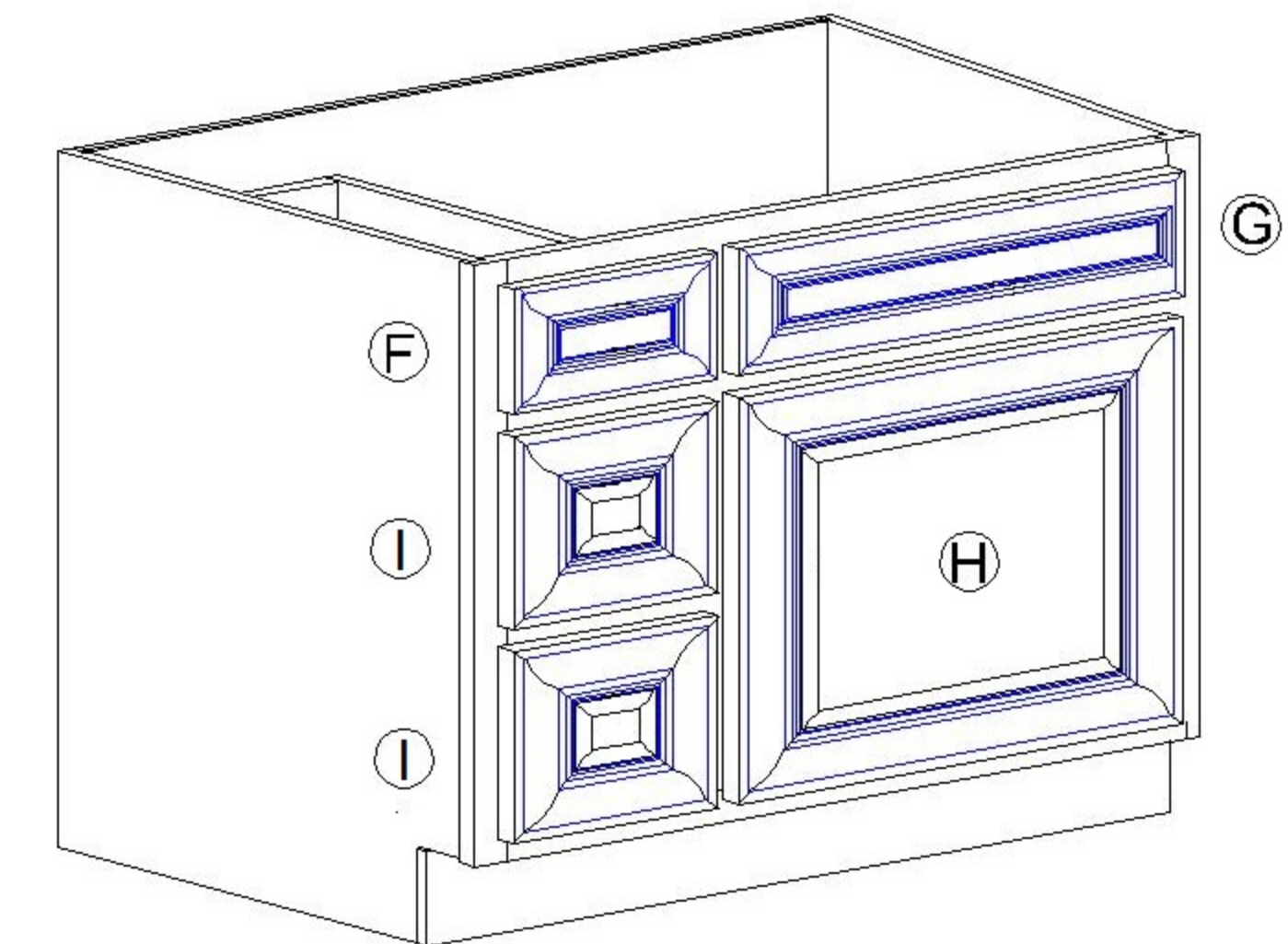
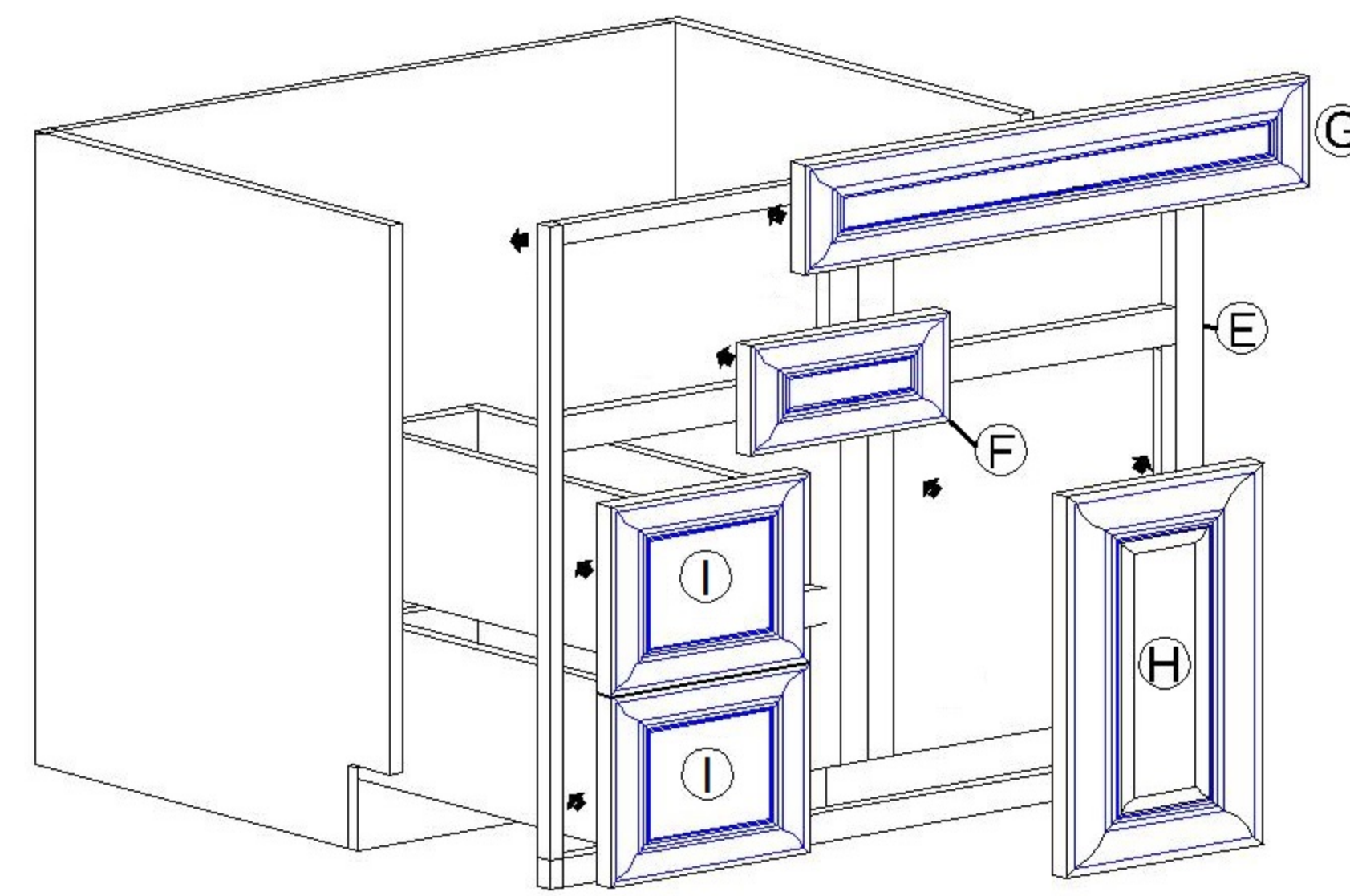
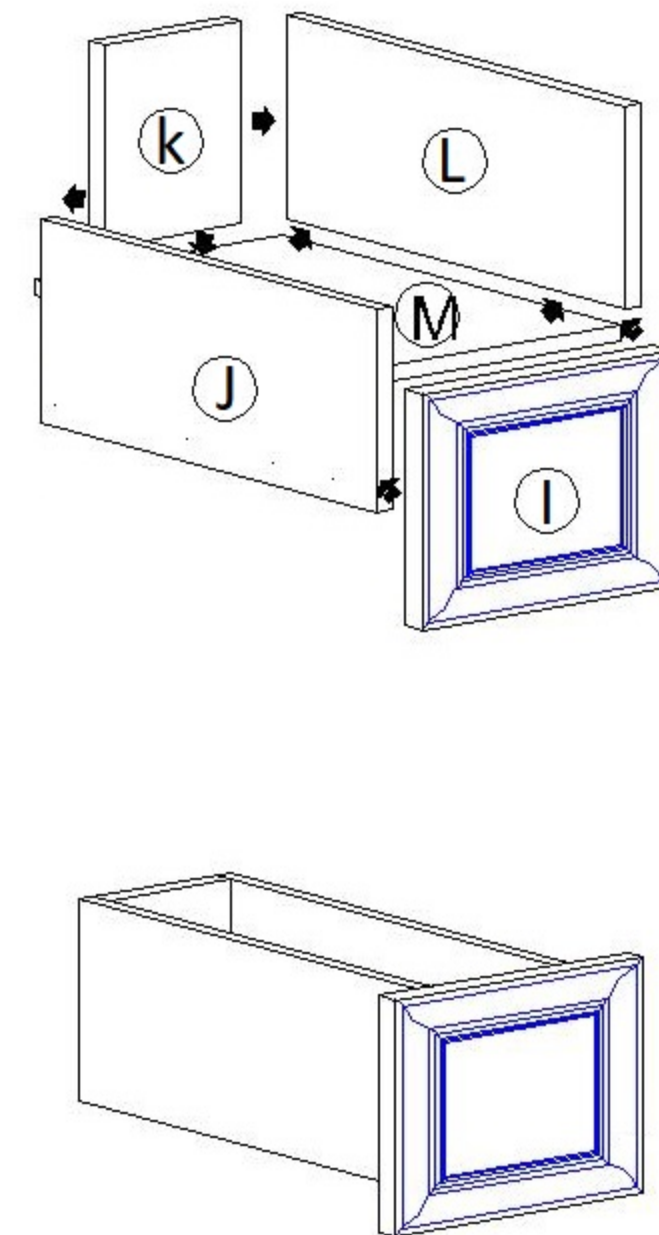
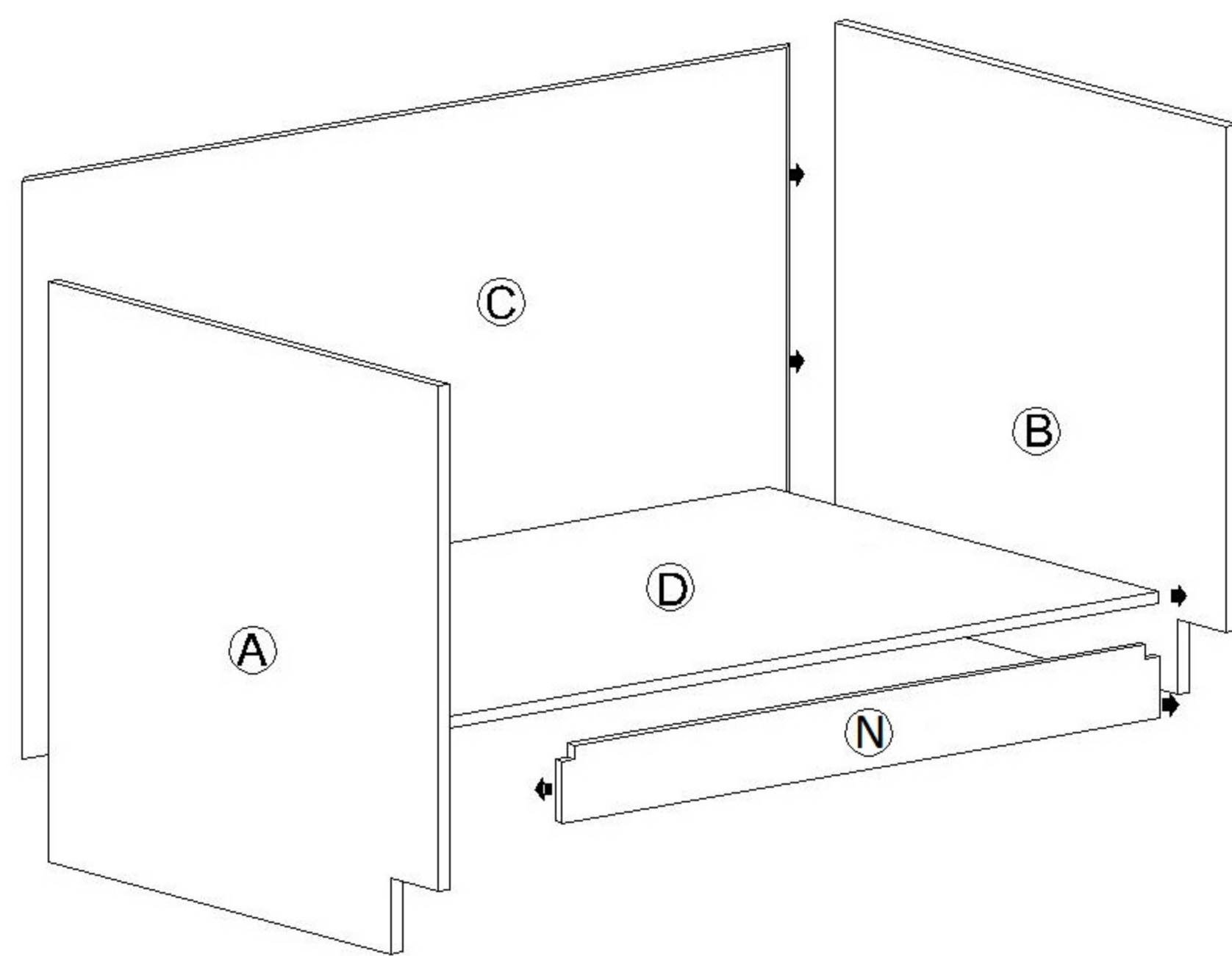
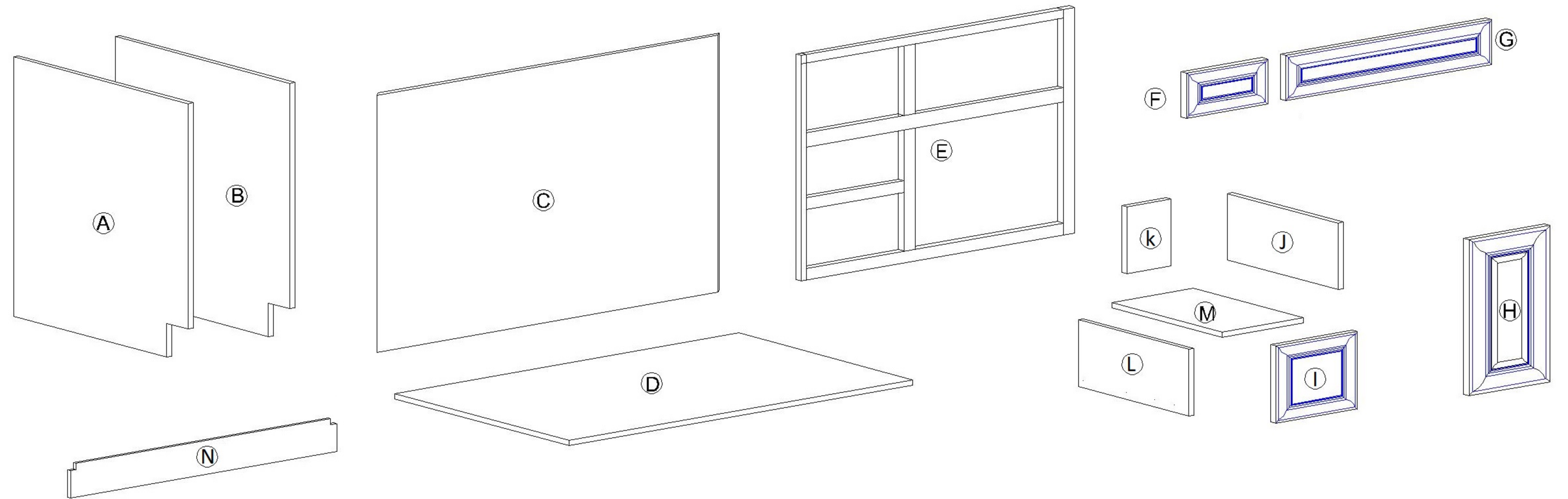


# Assembling Instruction for Frame Vanity Sink Drawer Cabinet

AVAILABLE TYPE: VSD30L VSD30R

(VSD30L Is Shown)

- A: Side Panel (Left)
- B: Side Panel (Right)
- C: Back Panel
- D: Bottom Panel
- E: Face Frame
- F: Small Face Drawer (Fake)
- G: Large Face Drawer (Fake)
- H: Door
- I: Drawer Face 2pcs
- J: Drawer Box Panel (Left) 2pcs
- K: Drawer Box Panel (Back) 2pcs
- L: Drawer Box Panel (Right) 2pcs
- M: Drawer Box Panel (Bottom) 2pcs
- N: Toe Kick

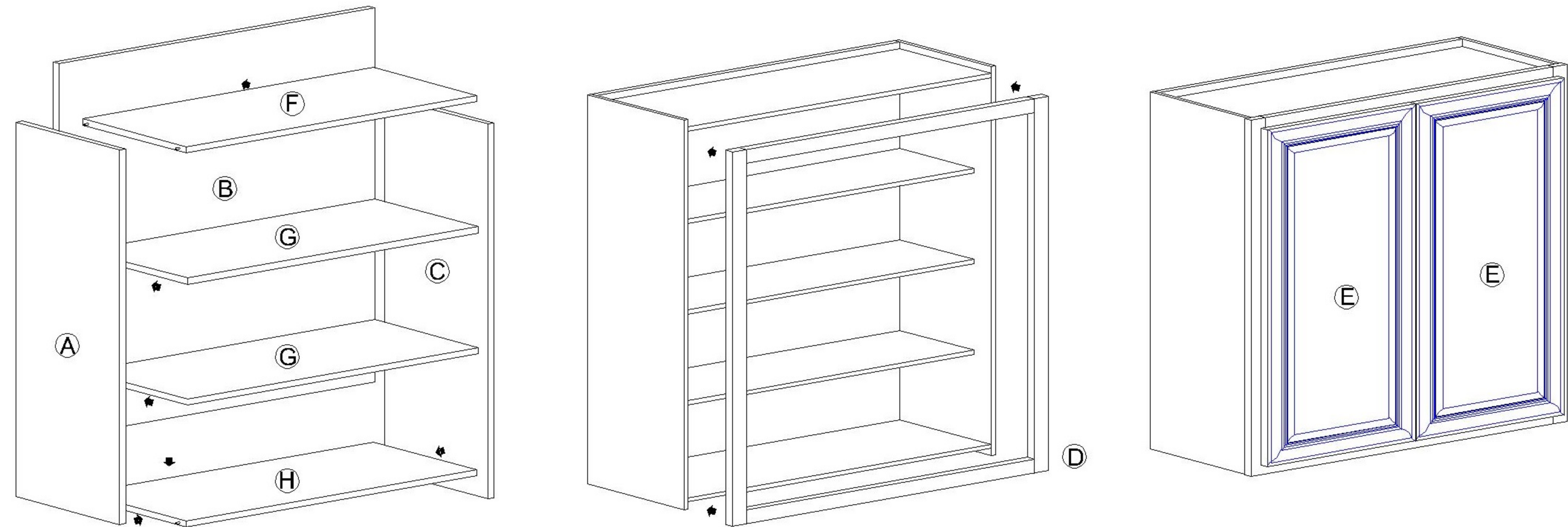
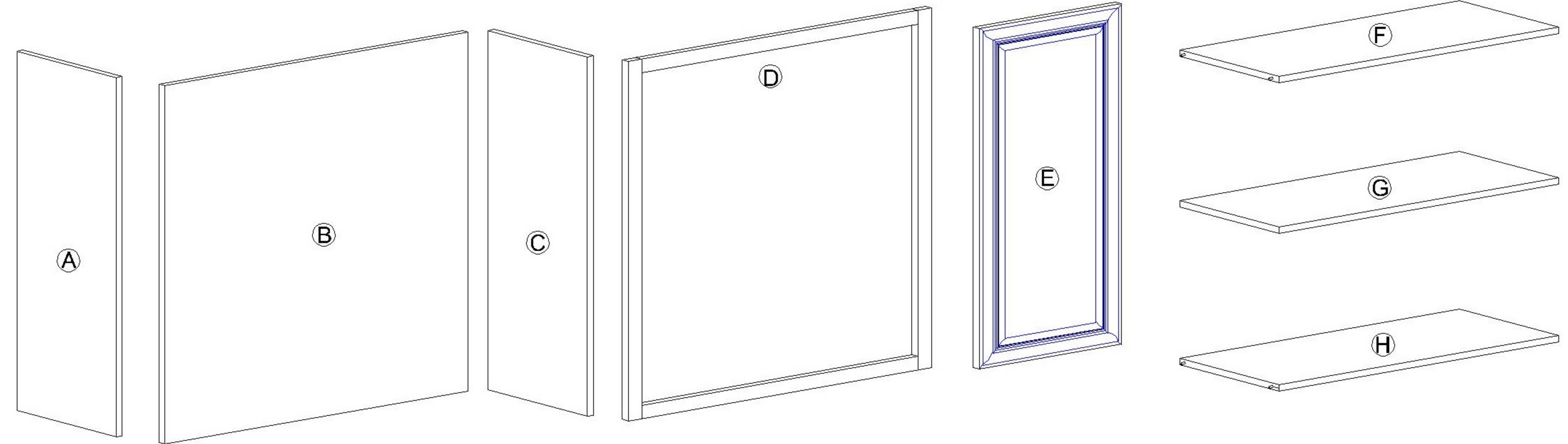


# Assemble Instruction for Frame Wall Cabinet - 2 Doors Wood or Glass

AVAILABLE TYPE : W2430 W2436 W2442  
W2730 W2736 W2742  
W3030 W3036 W3042  
W3330 W3336 W3342  
W3630 W3636 W3642

WMD2430 WMD2436 WMD2442  
WMD2730 WMD2736 WMD2742  
WMD3030 WMD3036 WMD3042  
WMD3330 WMD3336 WMD3342  
WMD3630 WMD3636 WMD3642  
WMD3930 WMD3936 WMD3942  
WMD4230 WMD4236 WMD4242

- A: Side Panel (Left)
- B: Back Panel
- C: Side Panel (Right)
- D: Face Frame
- E: Doors 2pcs
- F: Top Panel
- G: Shelf (Adjustable Height)
- H: Bottom Panel

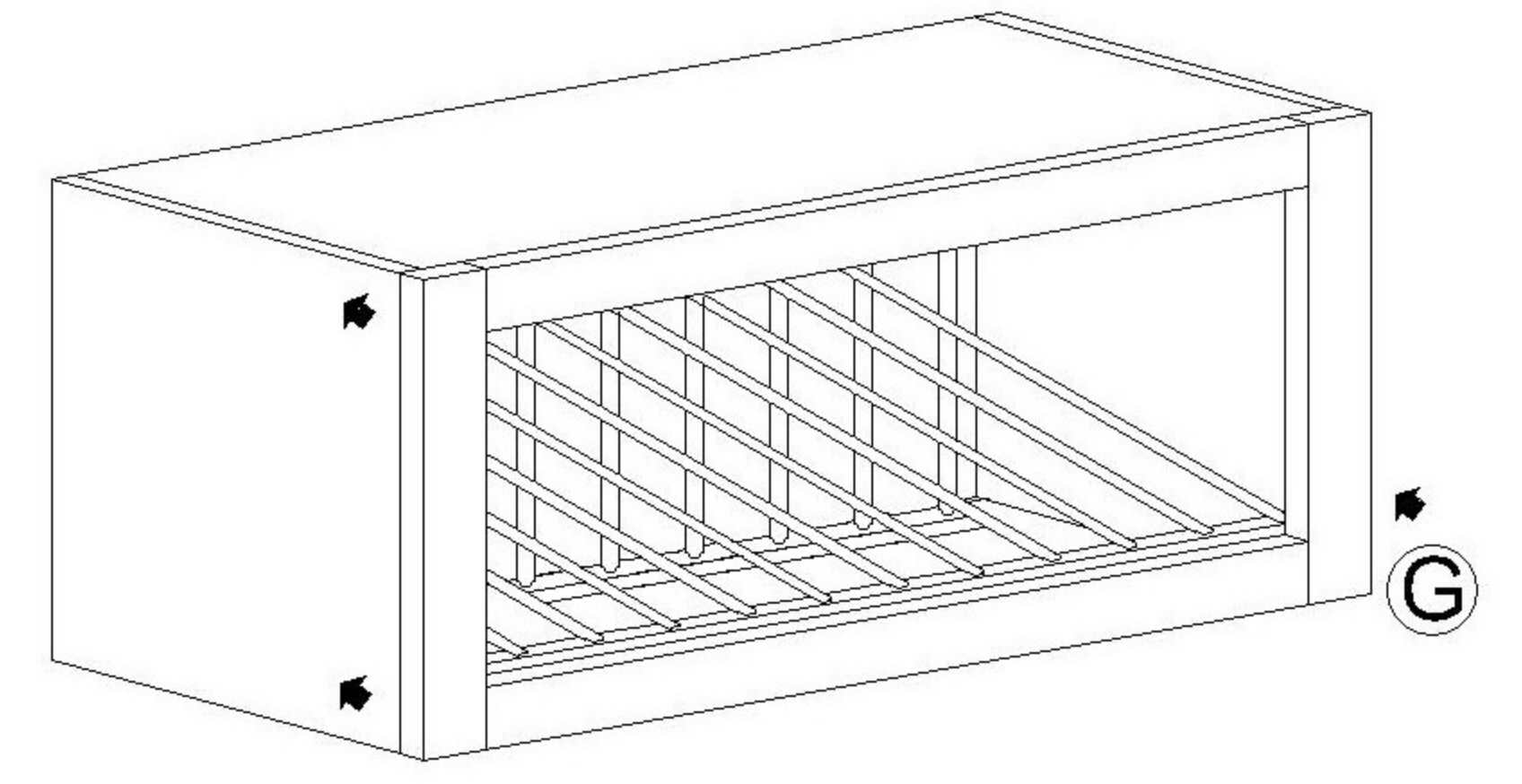
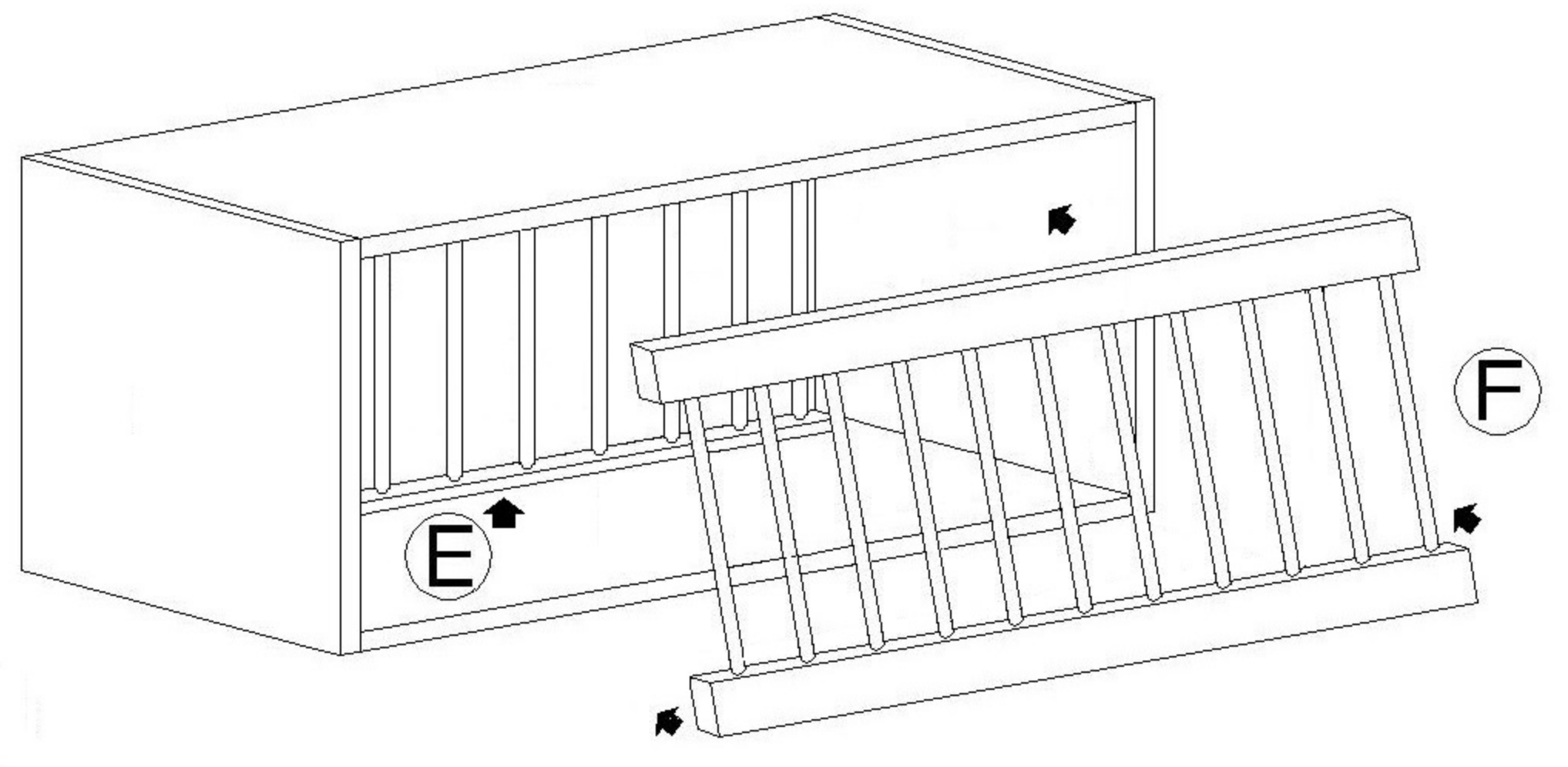
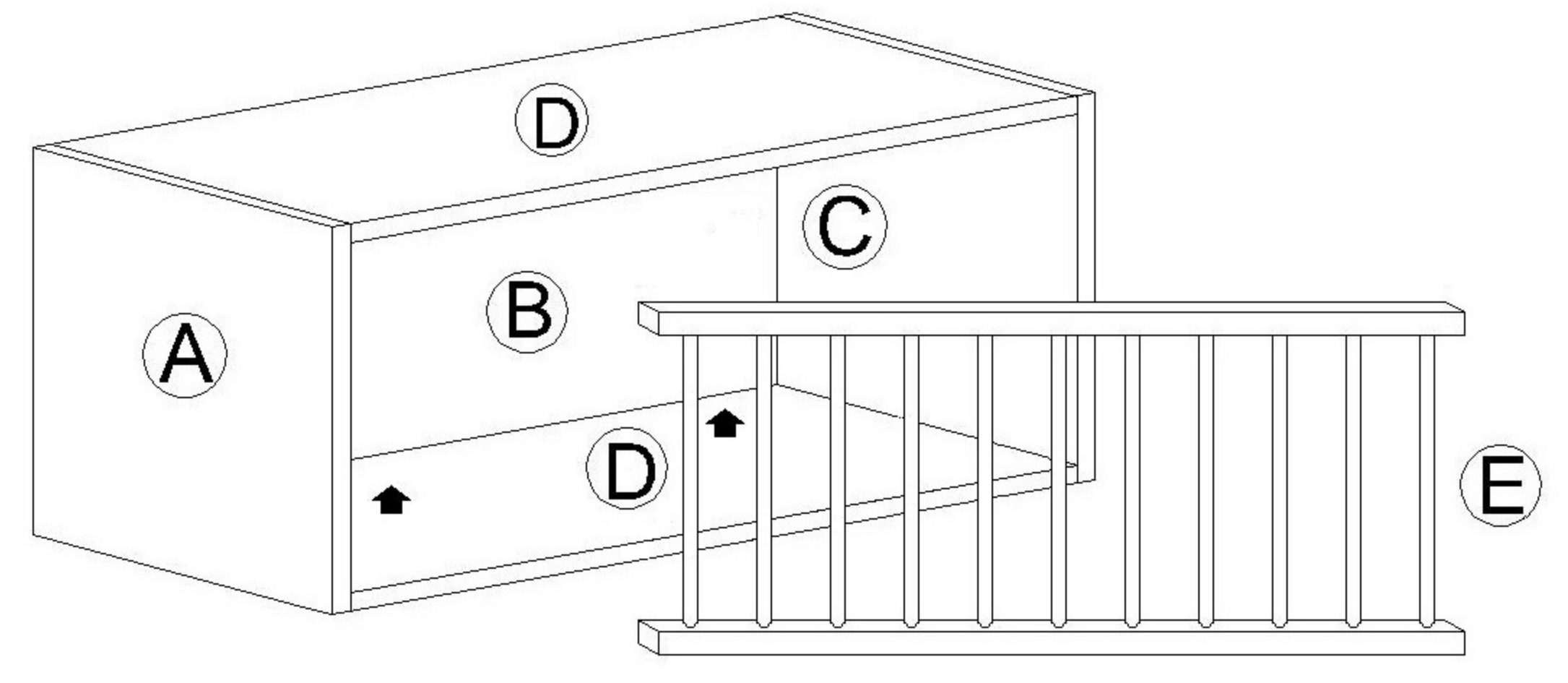
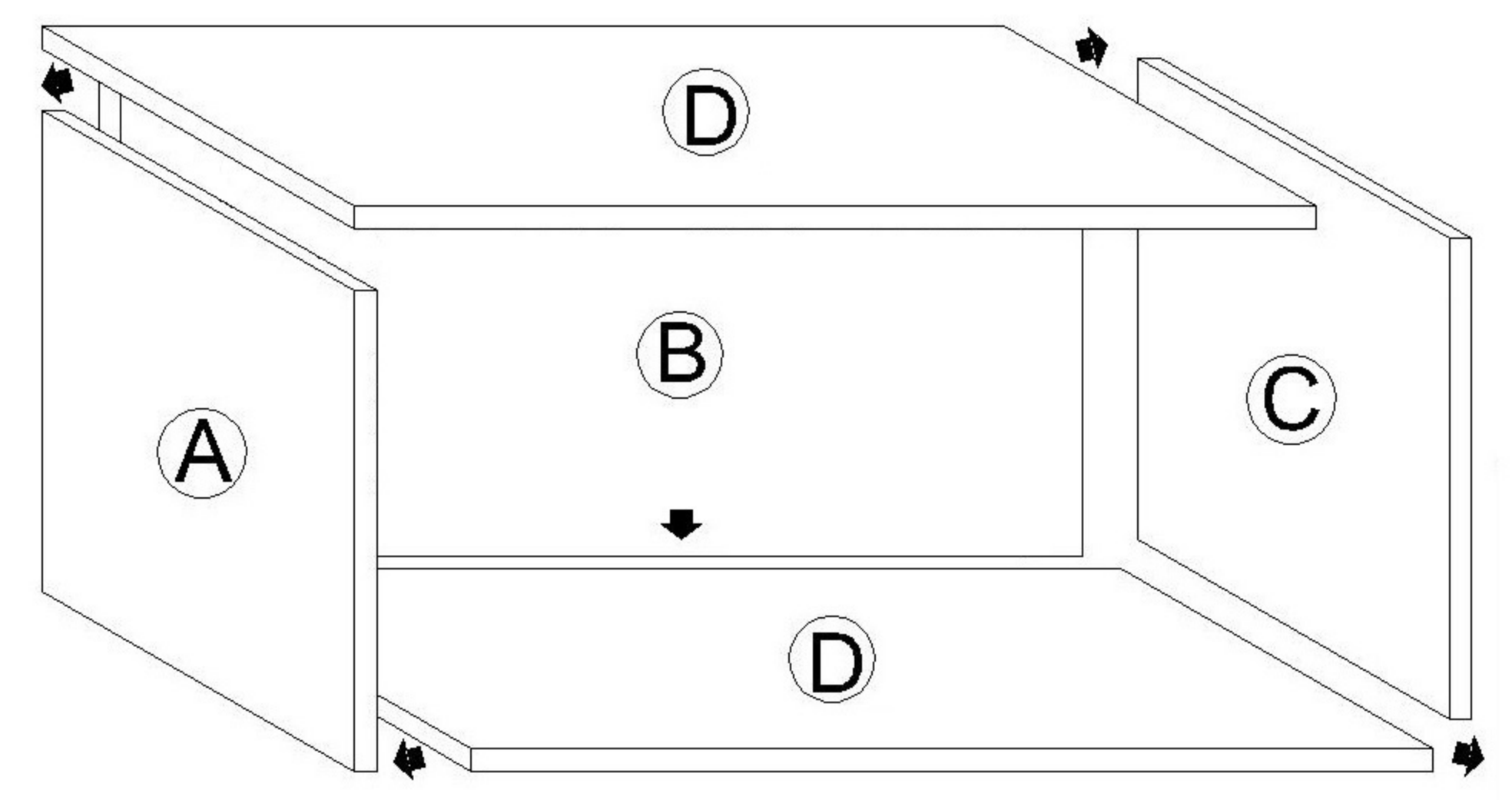
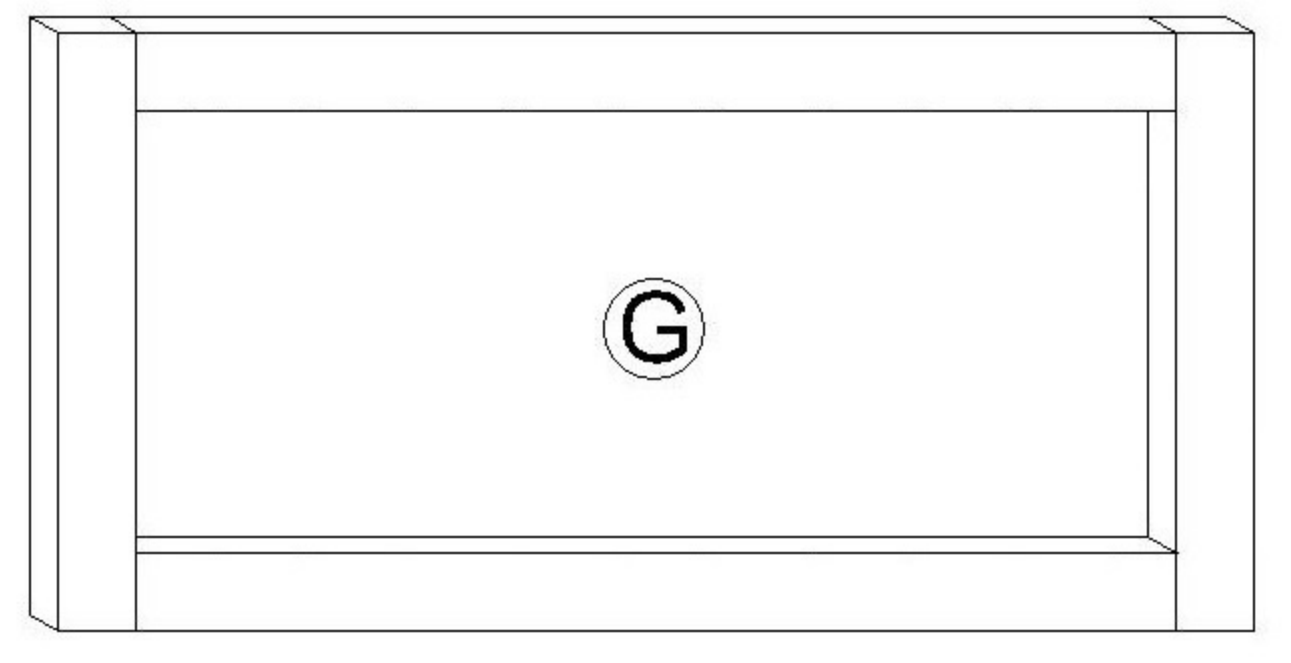
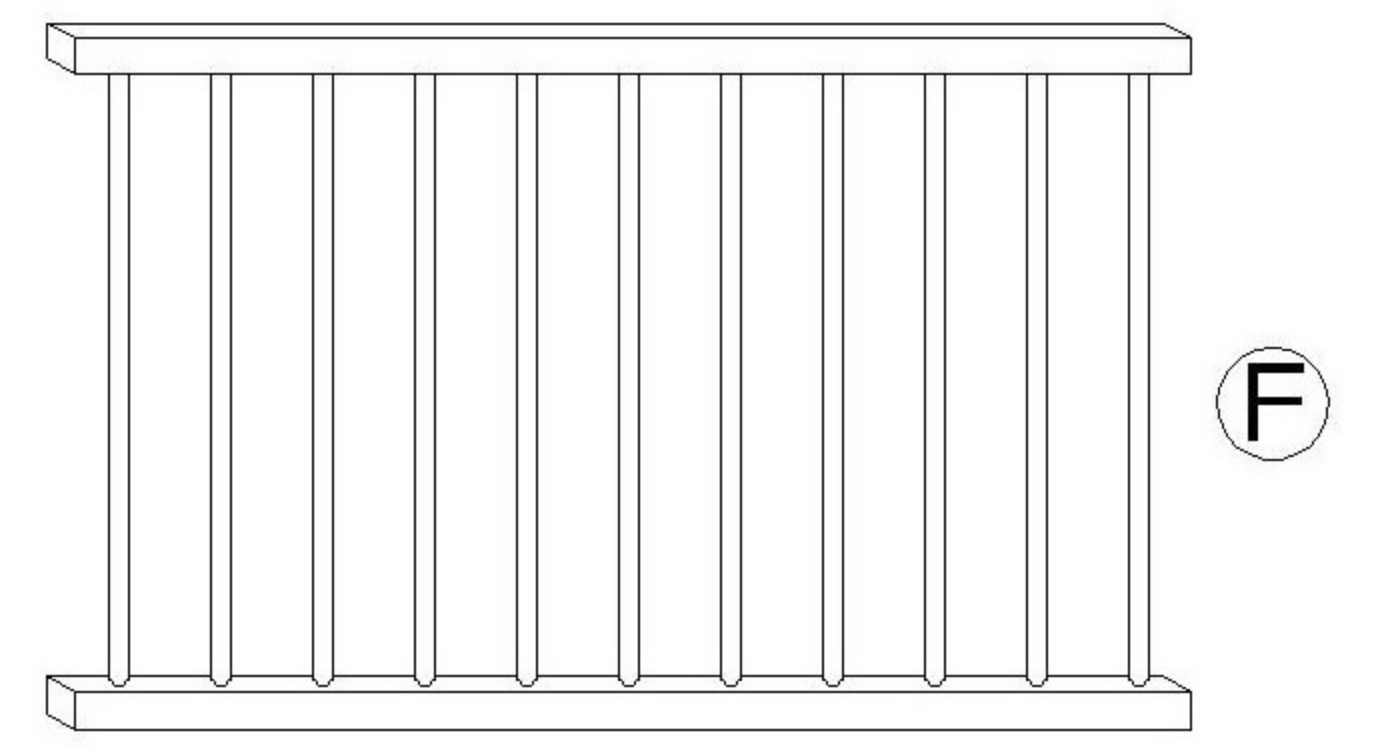
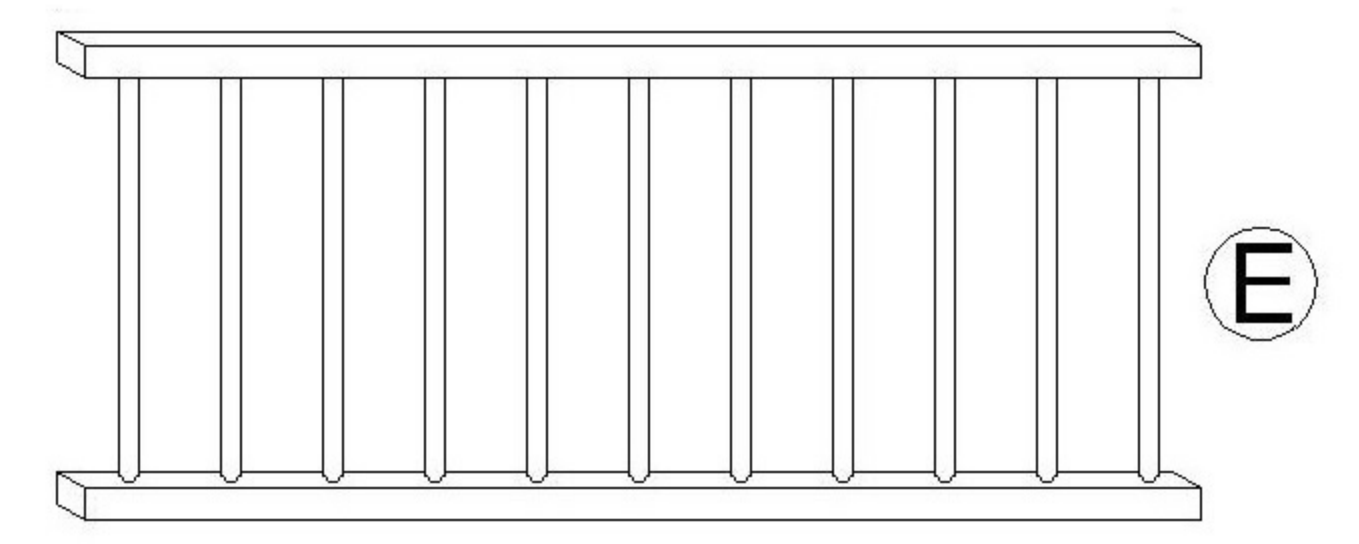
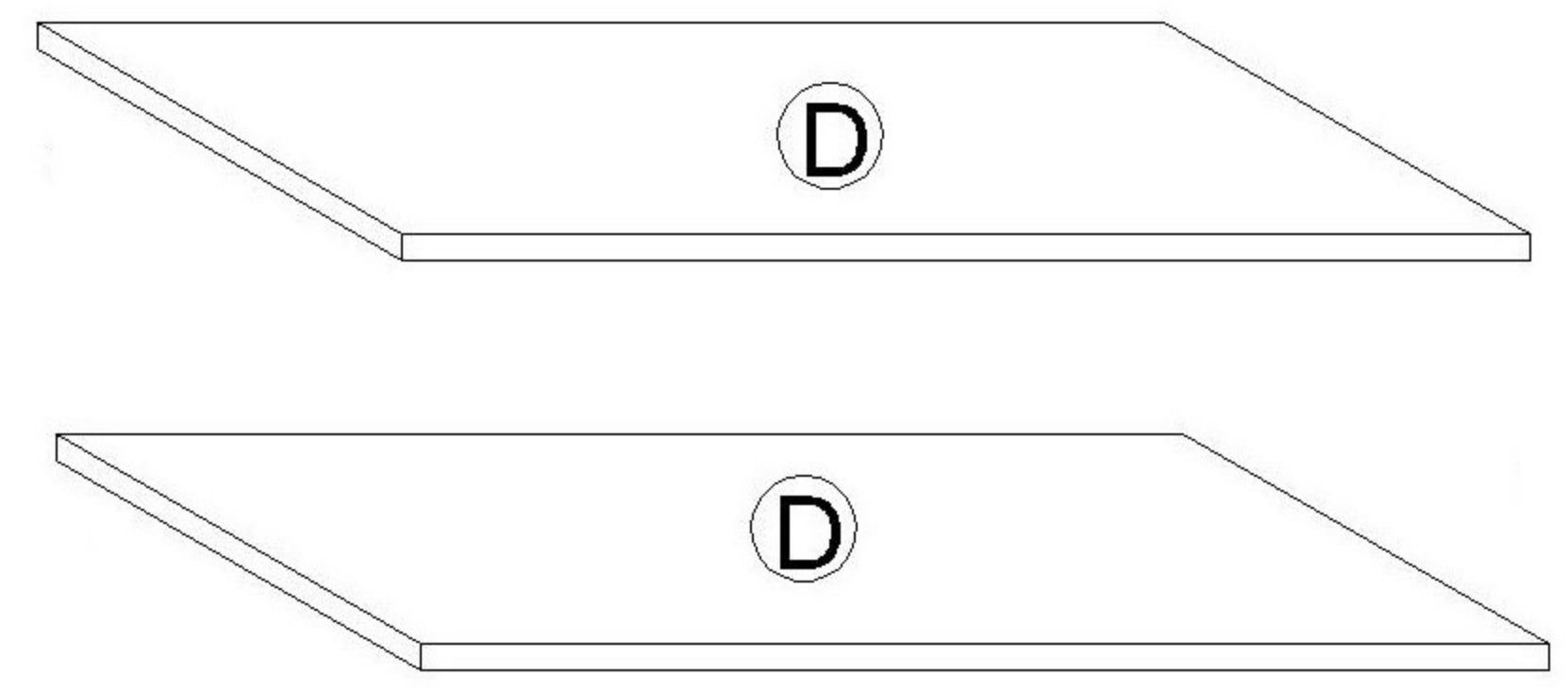
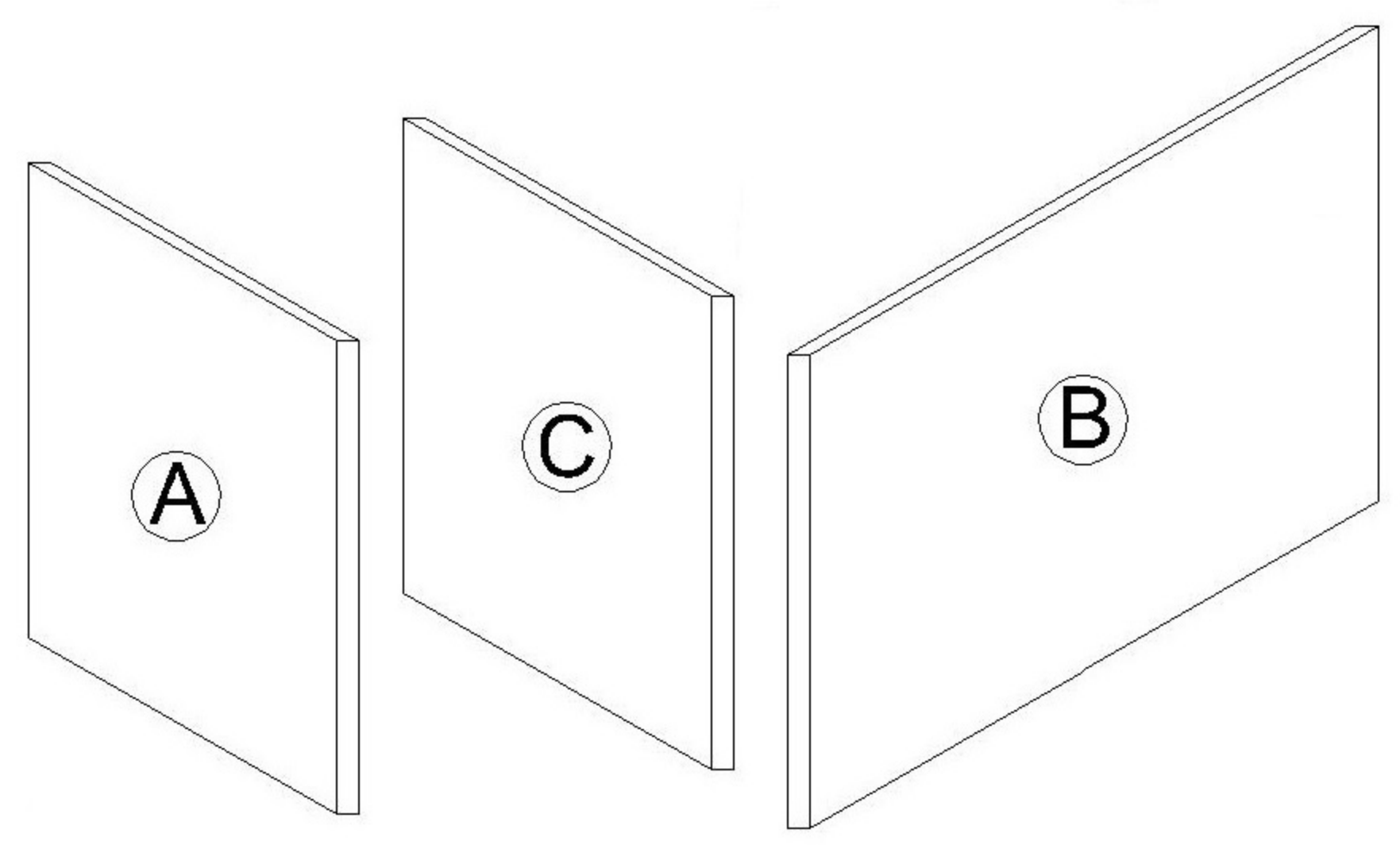


Note: 30" and 36" Height Cabinets Come with 2x Shelves  
42" Height Cabinet Comes with 3x shelves

# Assembling Instruction for Frame Wall Dish Holders

AVAILABLE TYPE: WCD3015 WCD3615

- A: Side Panel (Left)
- B: Back Panel
- C: Side Panel (Right)
- D: Top and Bottom Panel 2pcs
- E: Inside Rack
- F: Outside Rack
- G: Face Frame



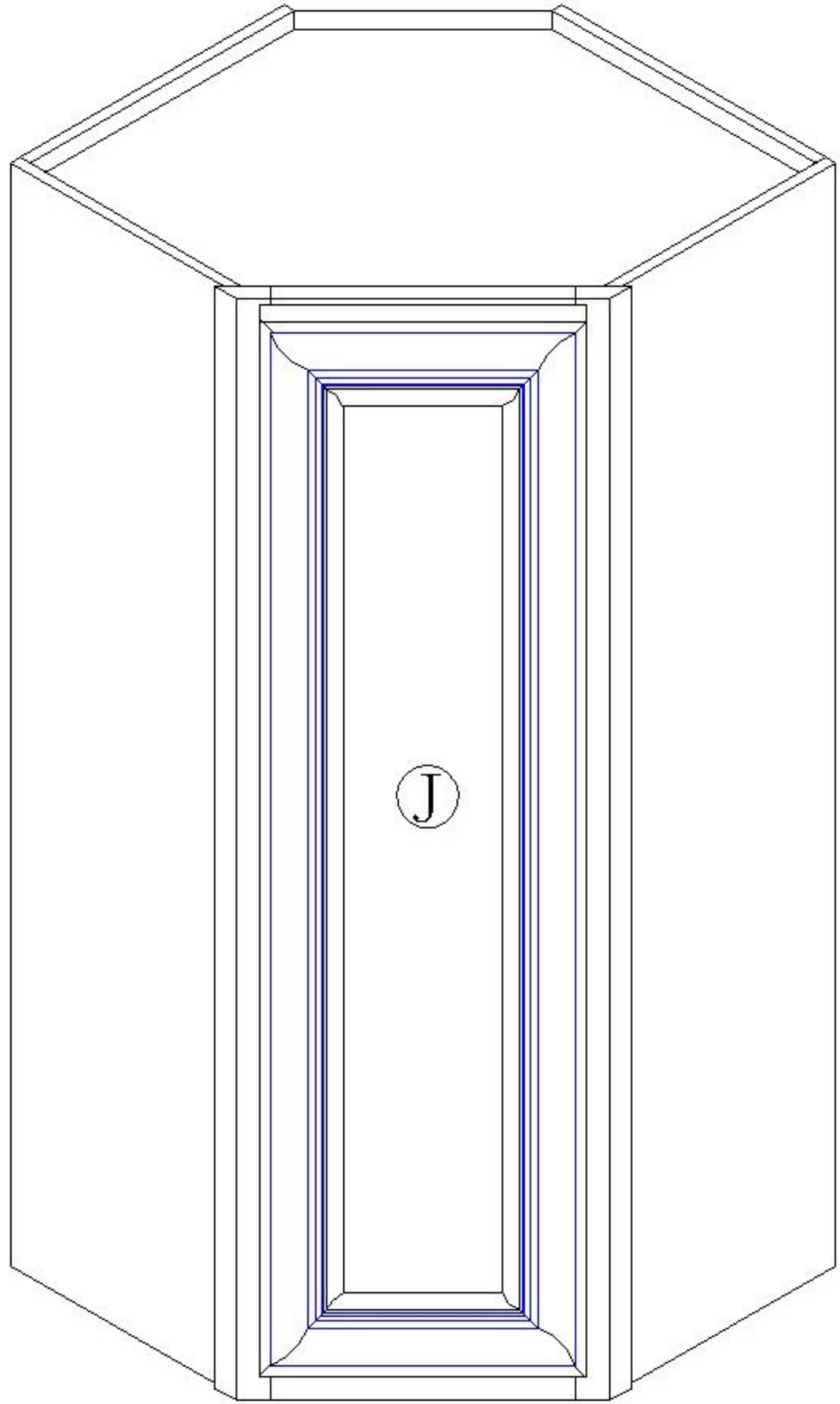
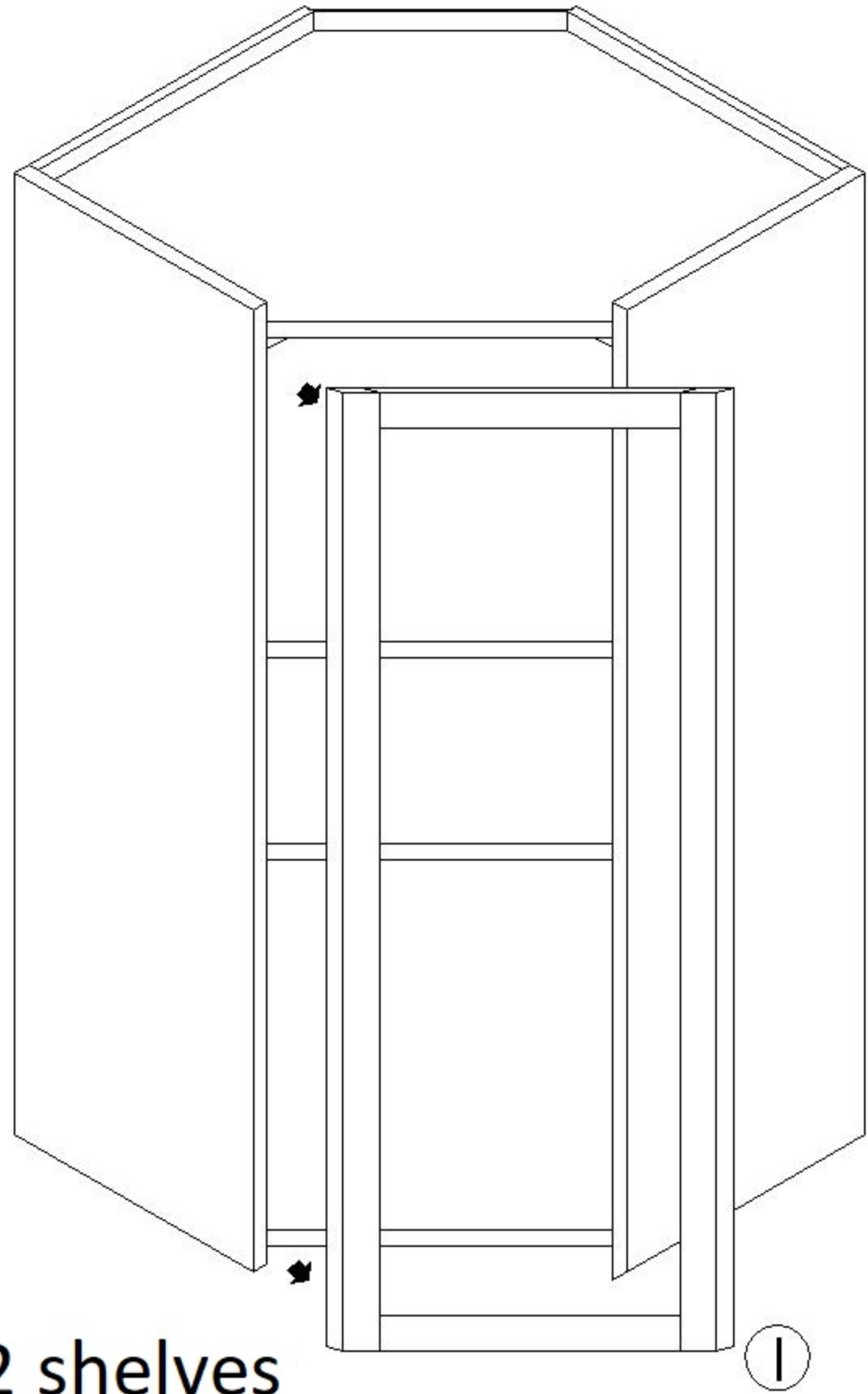
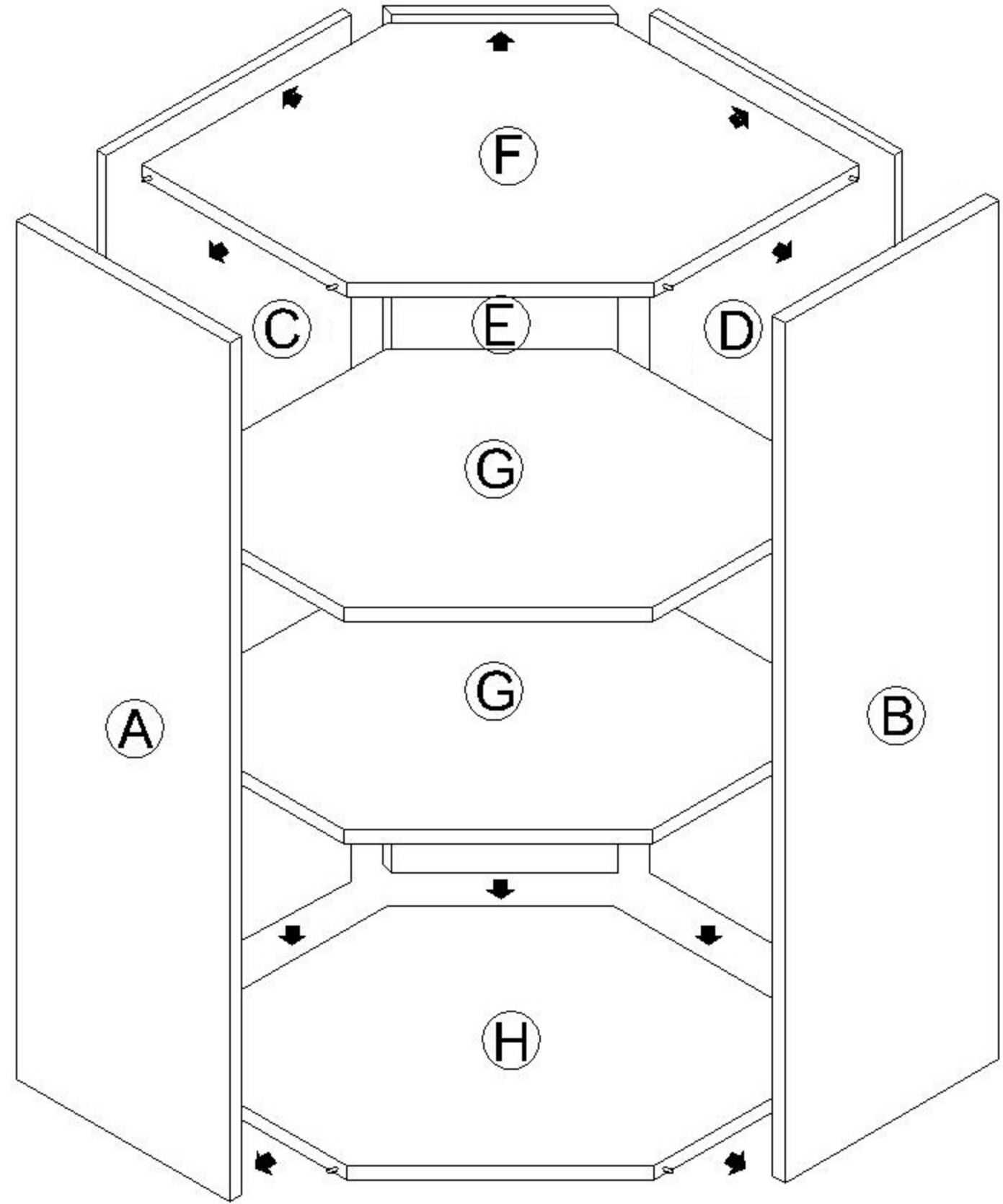
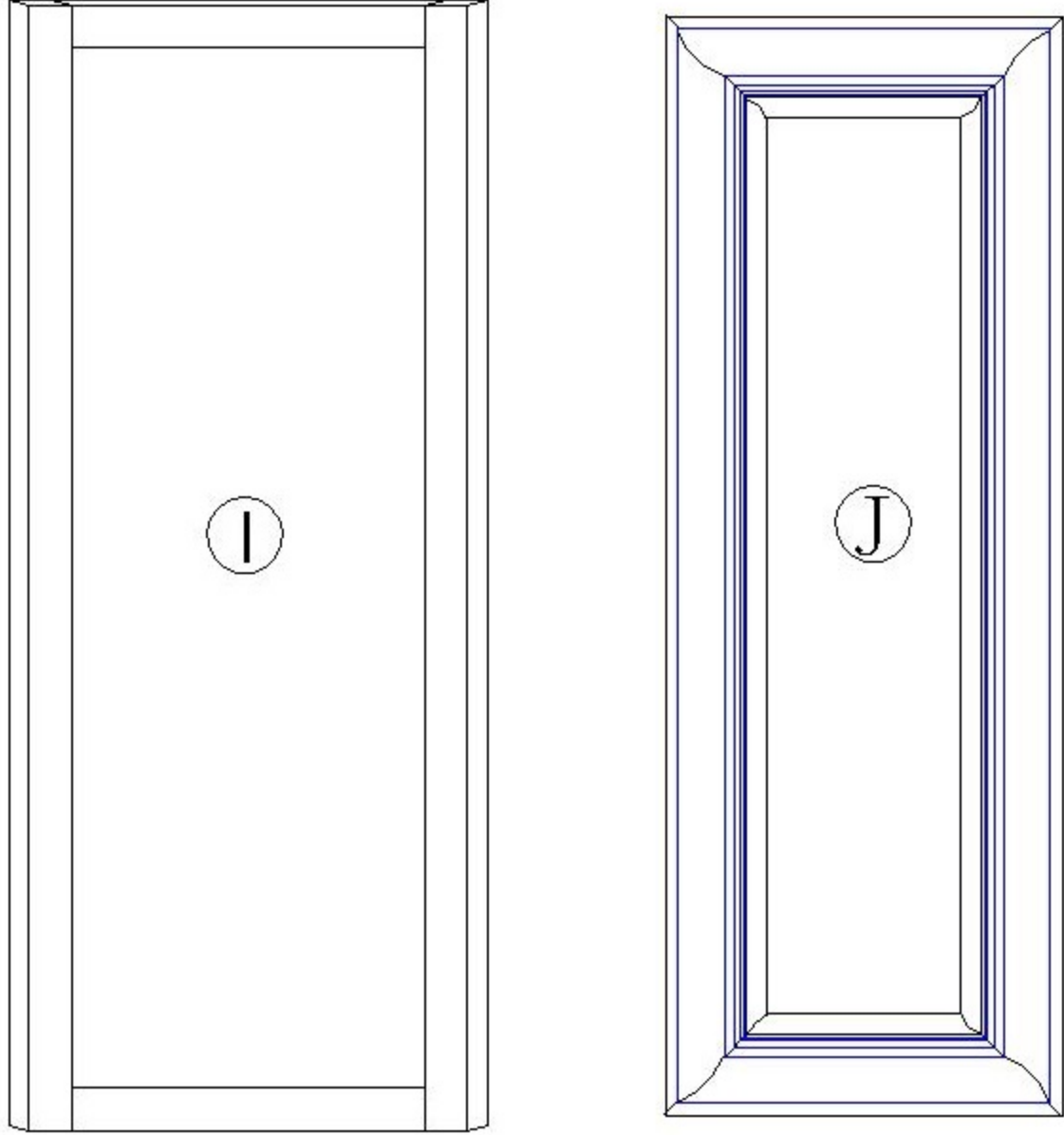
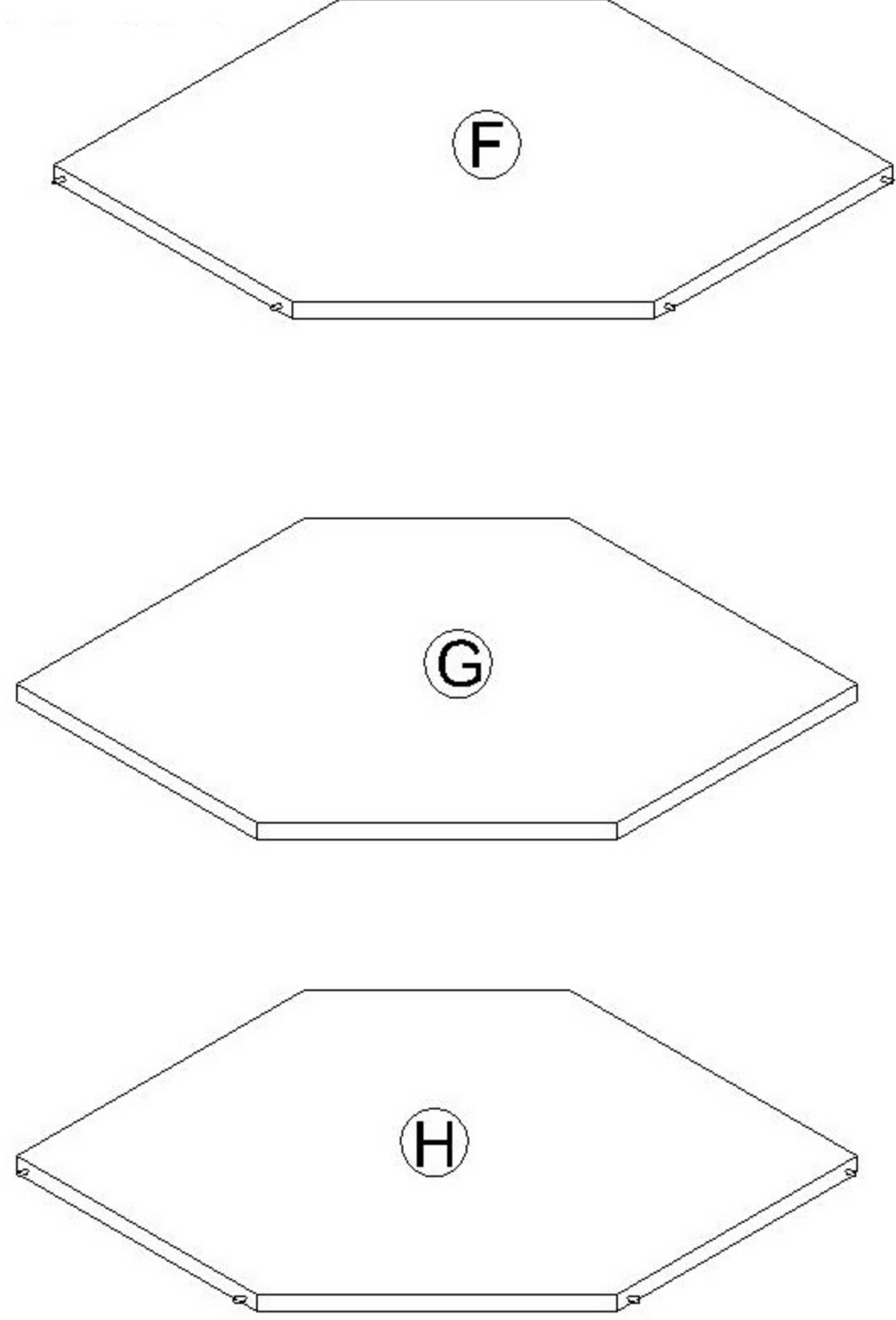
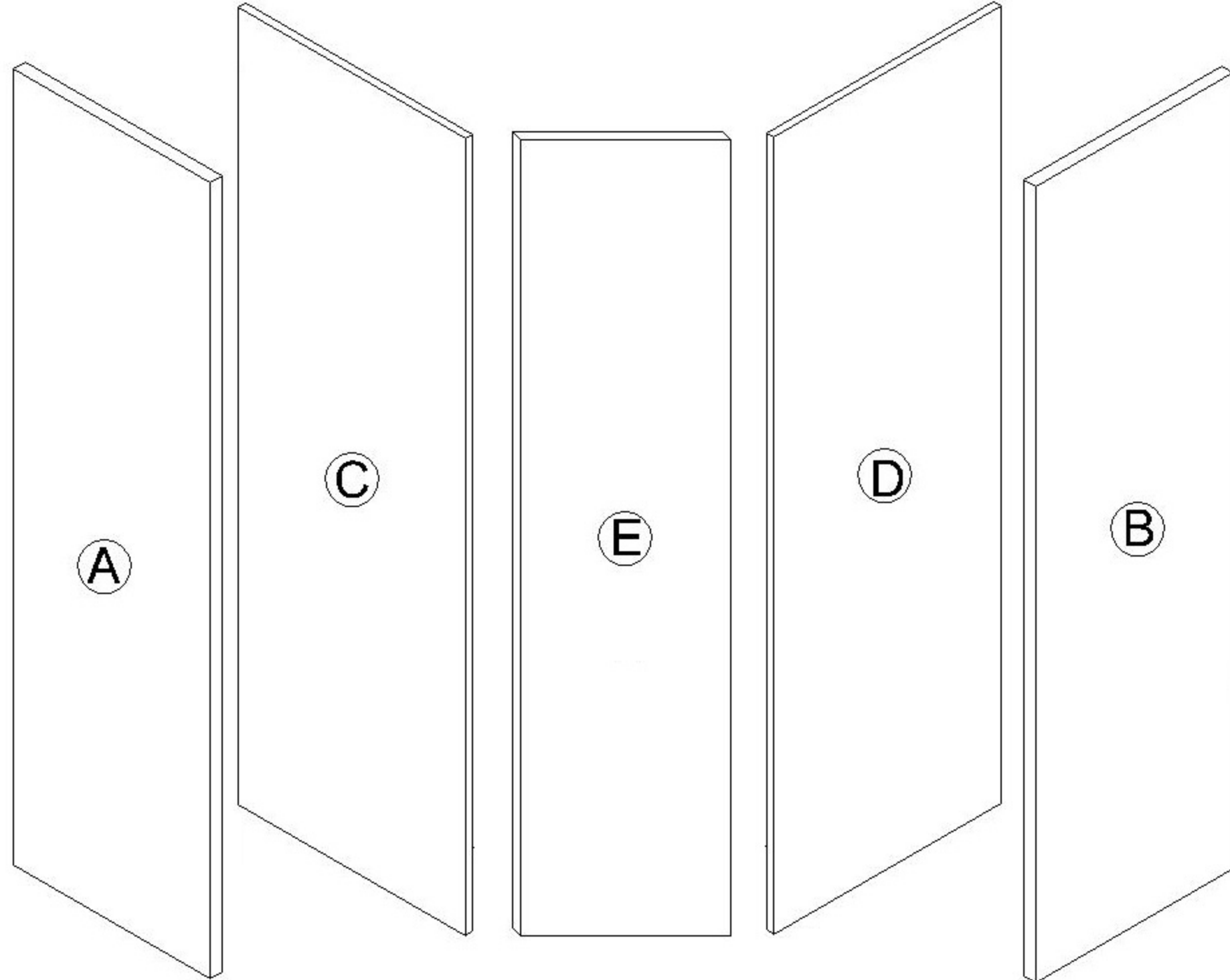
# Assembling Instruction for Wall Diagonal Corner Cabinet

## 1 Door Wood or Glass

AVAILABLE TYPE: WDC2430 WDC2436 WDC2442

WDCMD2430 WDCMD2436 WDCMD2442

- A: Side Panel (Front Left)
- B: Side Panel (Front Right)
- C: Side Panel (Back Left)
- D: Side Panel (Back Right)
- E: Back Panel
- F: Top Panel
- G: Shelf (Adjustable Height)
- H: Bottom Panel
- I: Face Frame
- J: Door



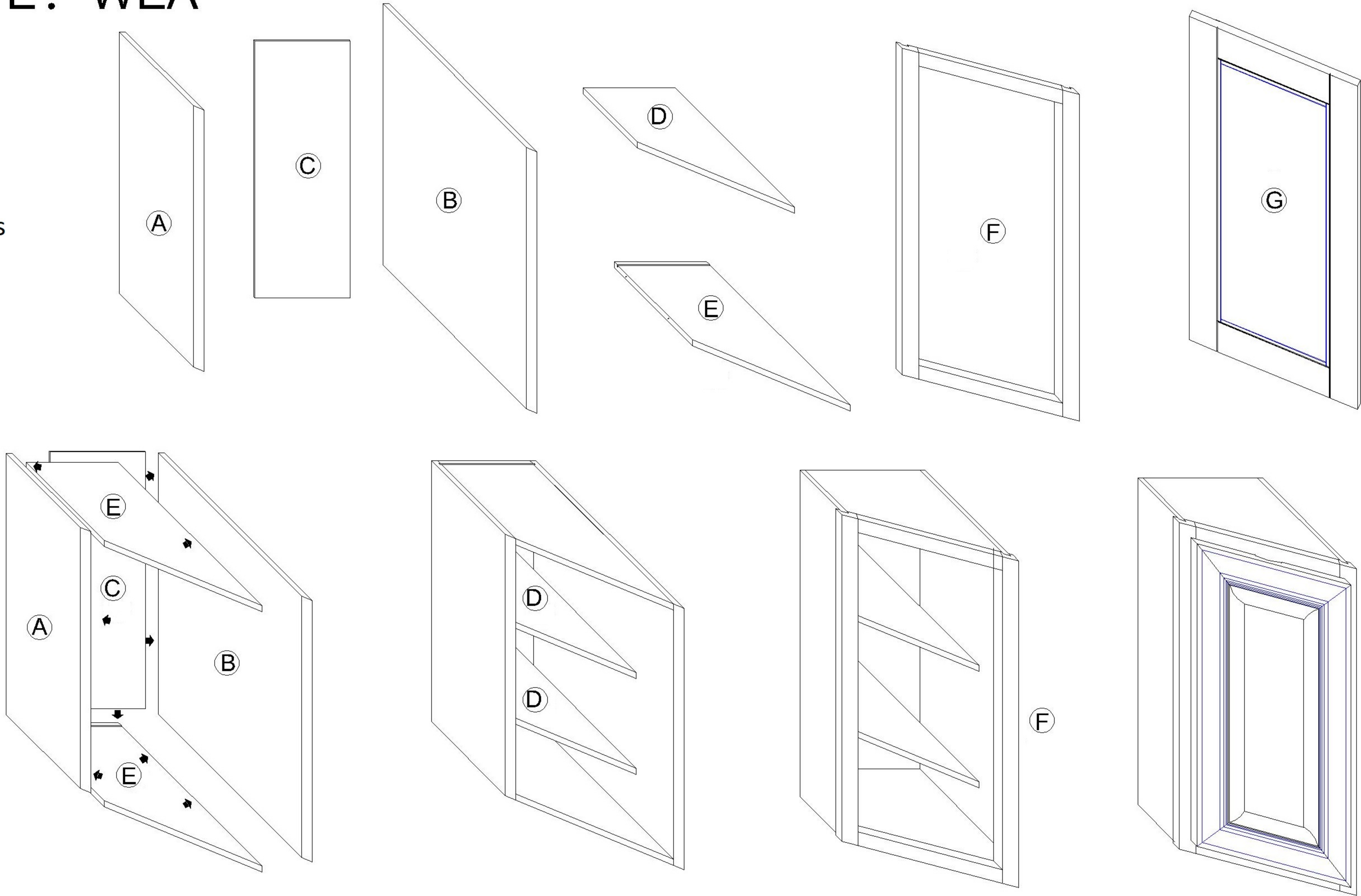
Note: 30" and 36" Height Cabinets Come With 2 shelves  
42" Height Cabinet Comes With 3 Shelves

# Assembling Instruction for Frame Wall End Angle Cabinet

## 1 Door - 2 - 3 Shelves

AVAILABLE TYPE: WEA

- A: Side Panel (Left)
- B: Side Panel (Right)
- C: Back Panel
- D: Shelf (Adjustable Height)
- E: Top and Bottom Panel 2pcs
- F: Face Frame
- G: Door

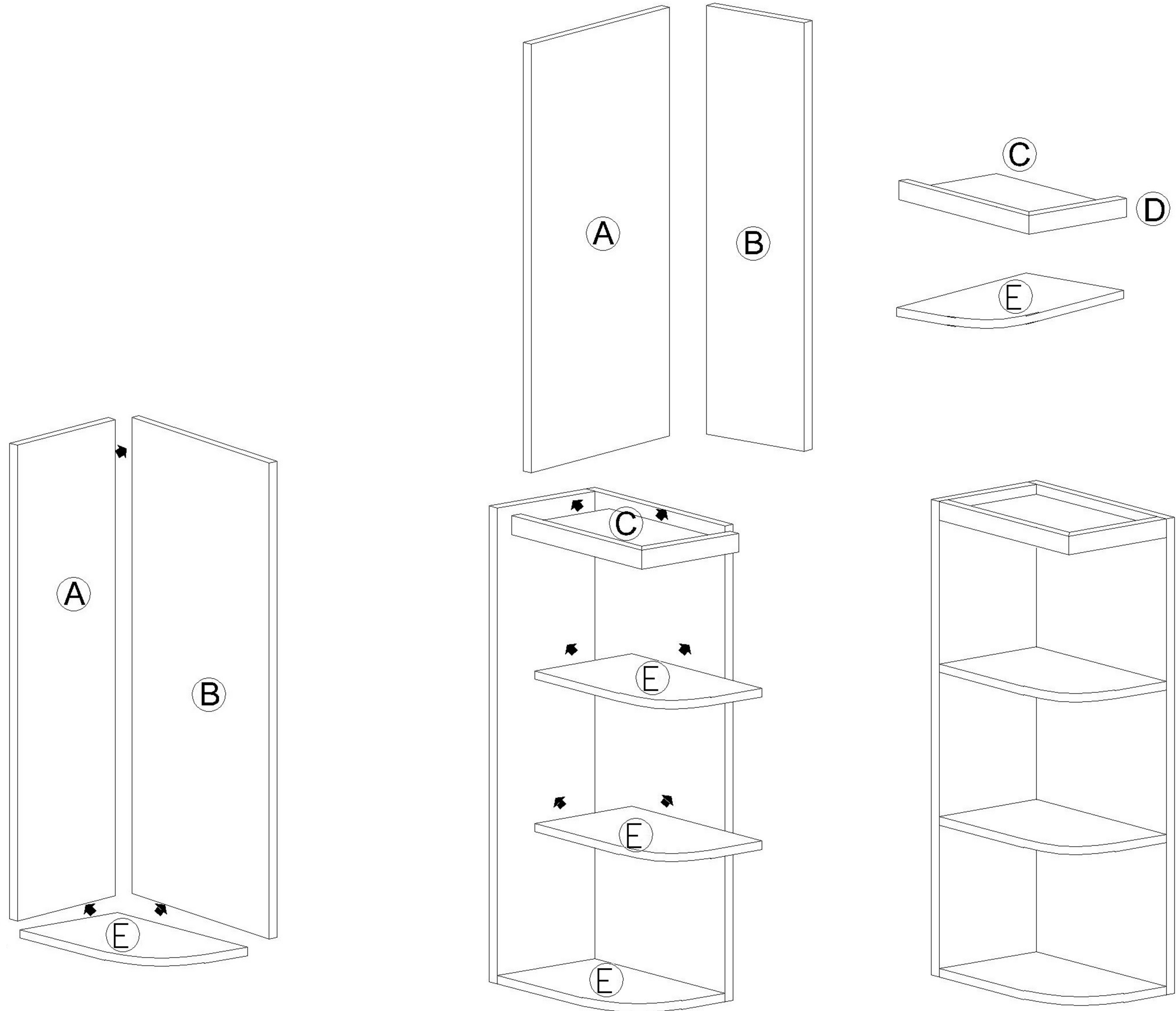


Note: 30" and 36" Height Cabinets Have 2x Shelves (Shown in Diagram)  
42" Height Cabinet Has 3x Shelves

# Assembling Instruction for Wall Open End Shelves

AVAILABLE TYPE: WOES1230L/R WOES1236L/R WOES1242L/R

- A: Back Panel
- B: Side panel
- C: Top Panel
- D: Face Frame
- E: Shelf (NOT Adjustable)

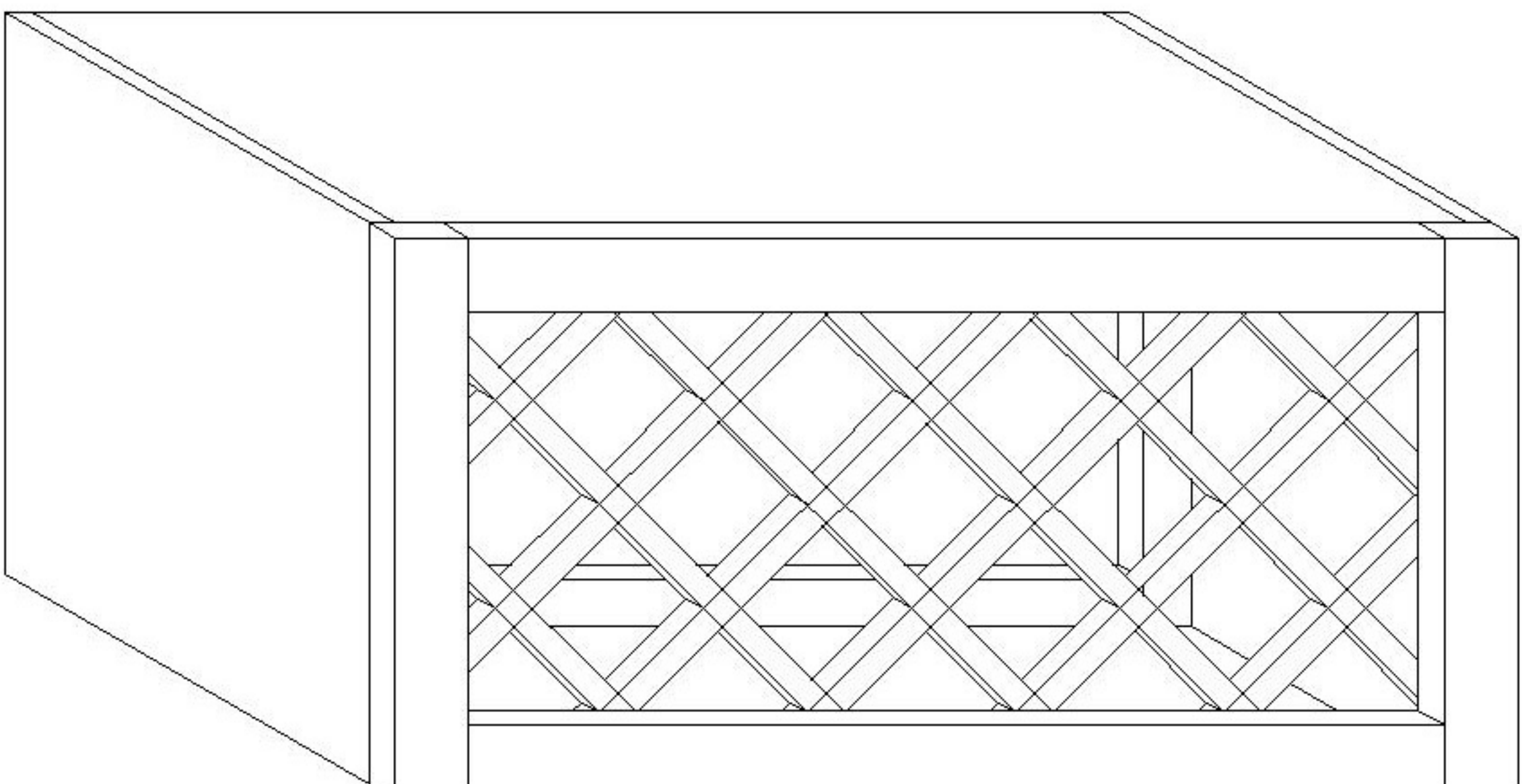
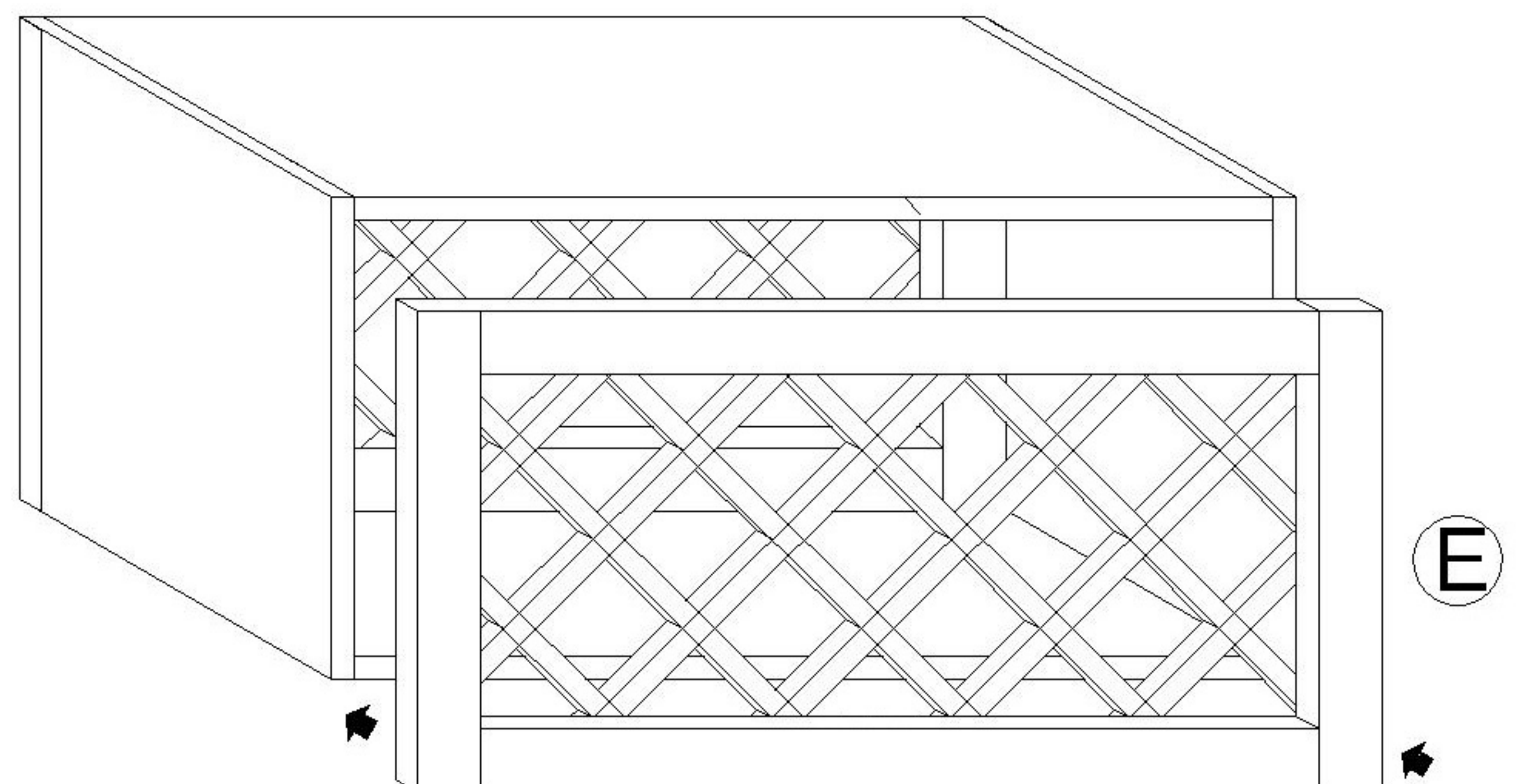
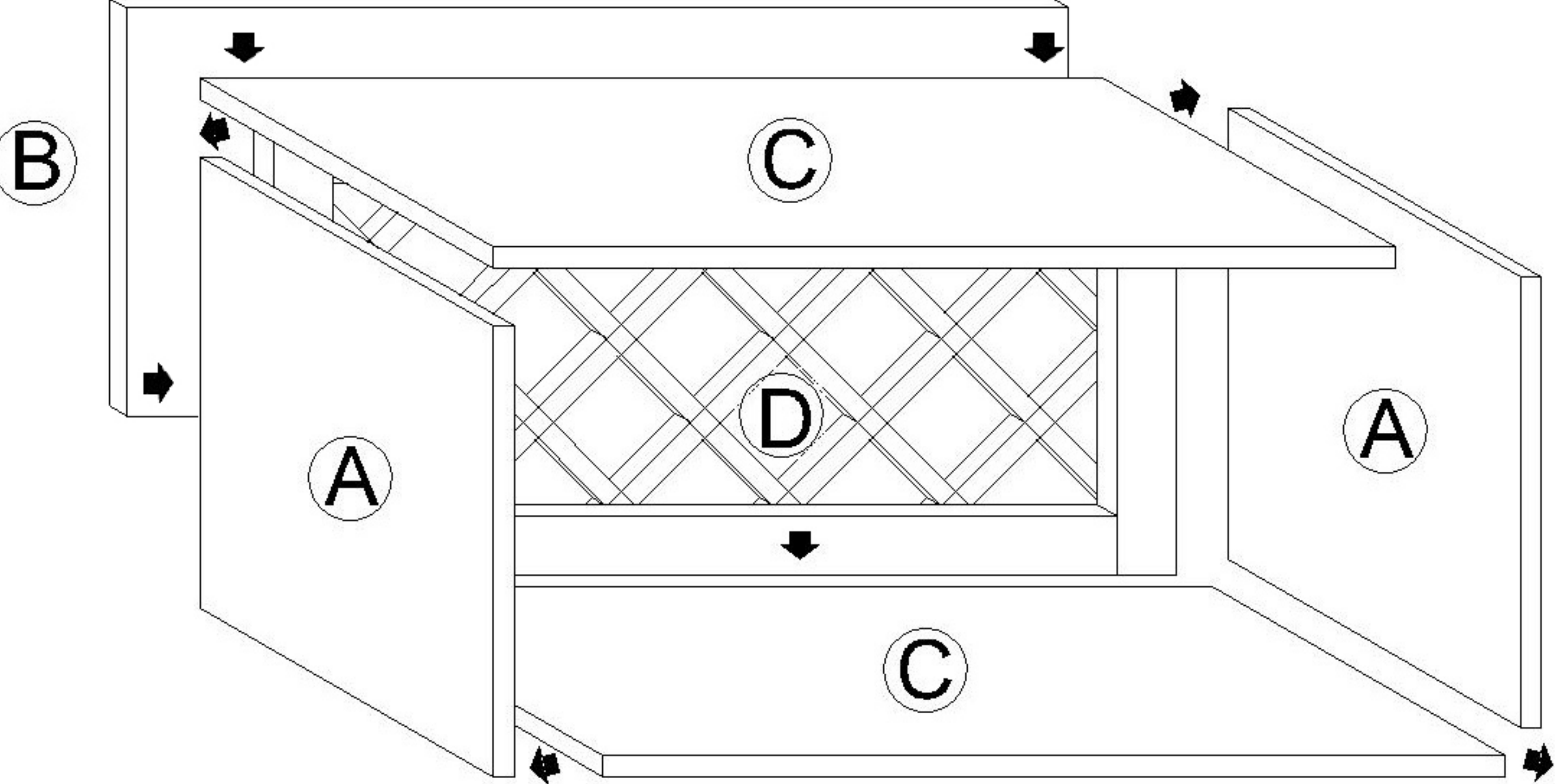
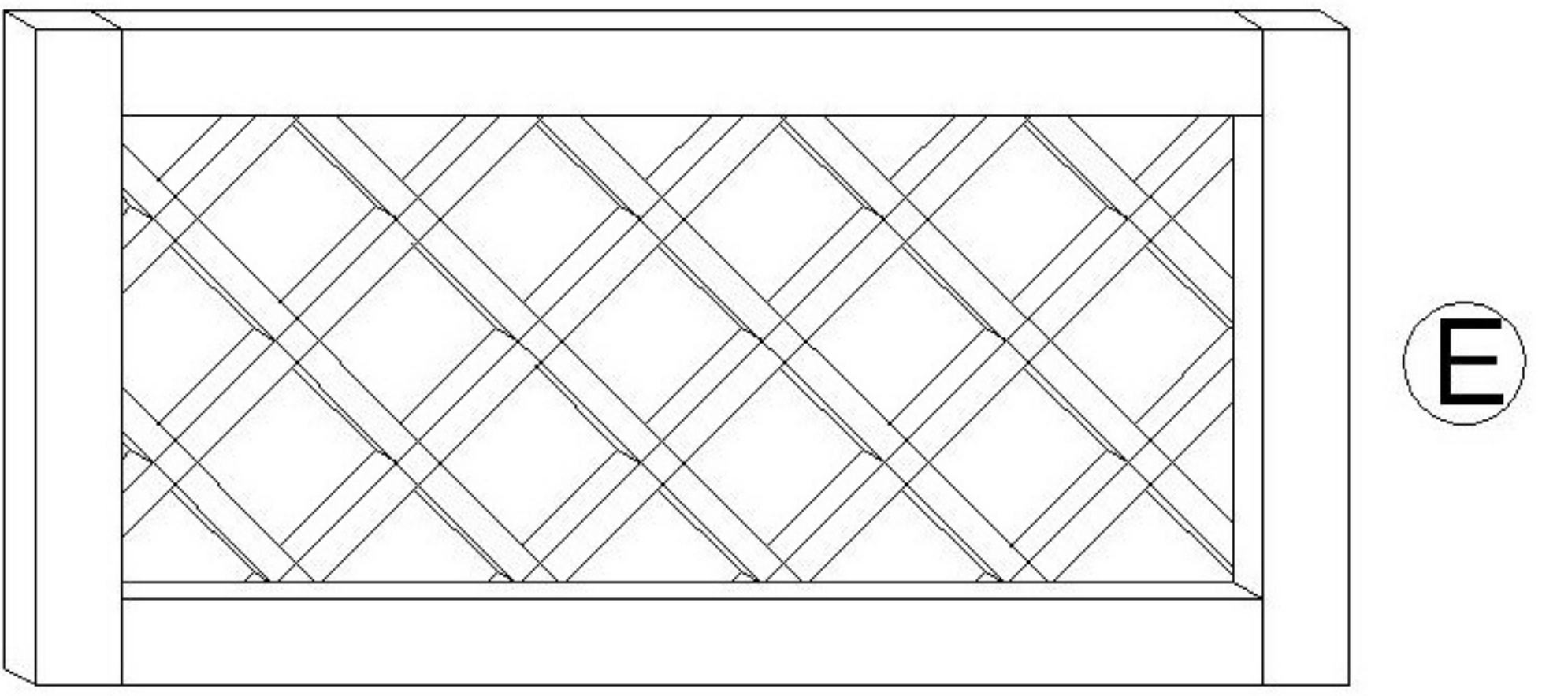
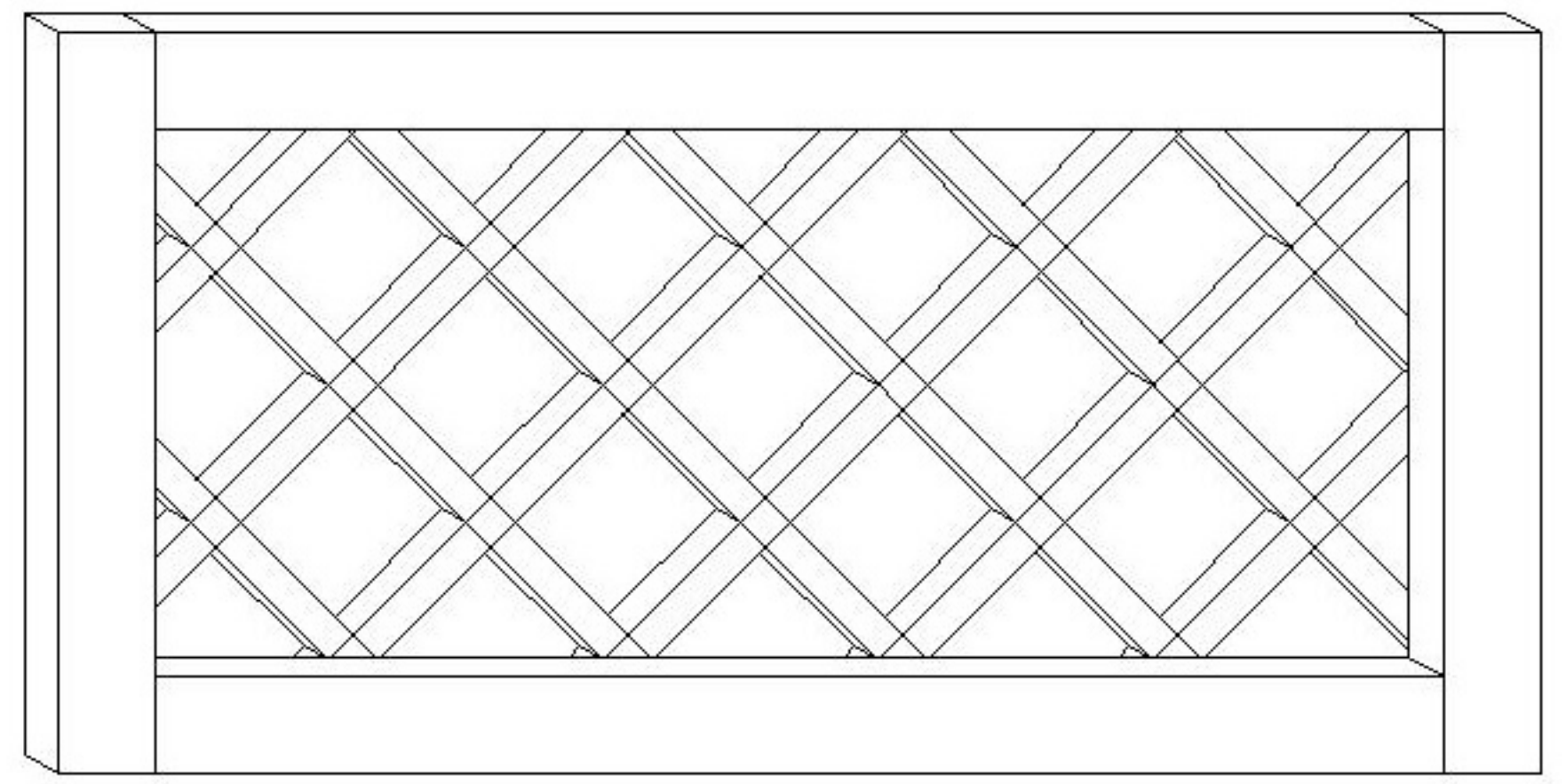
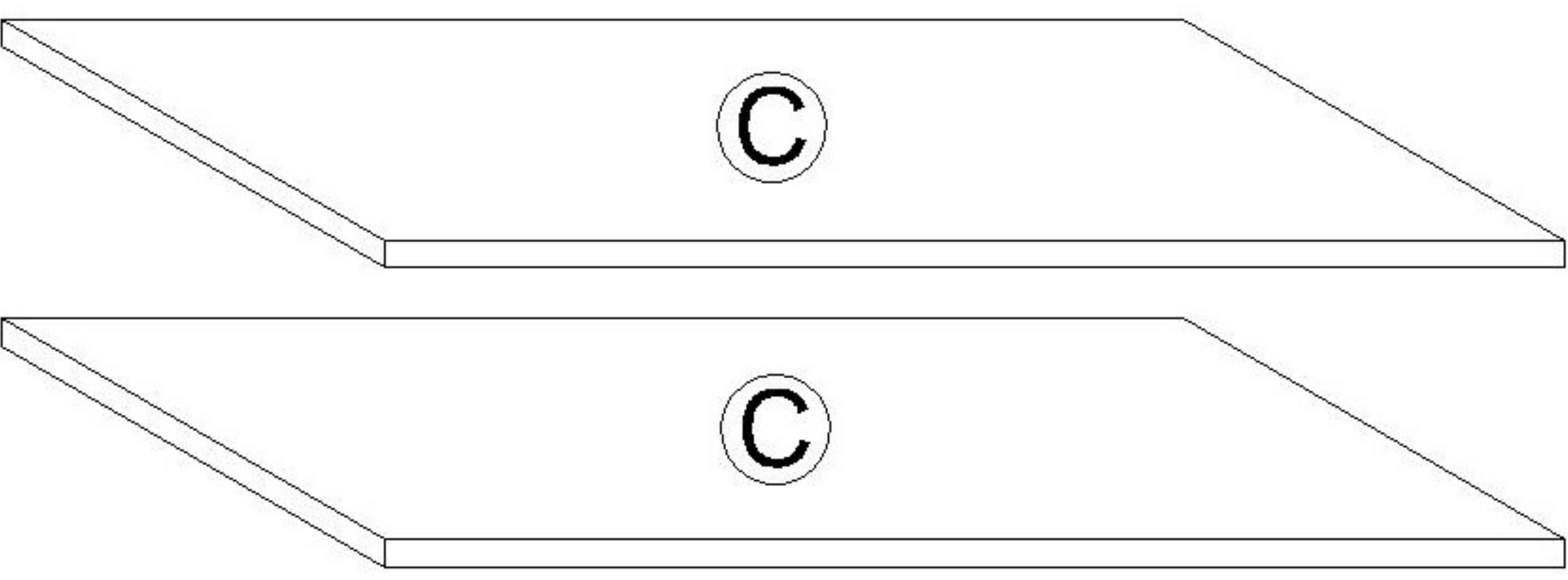
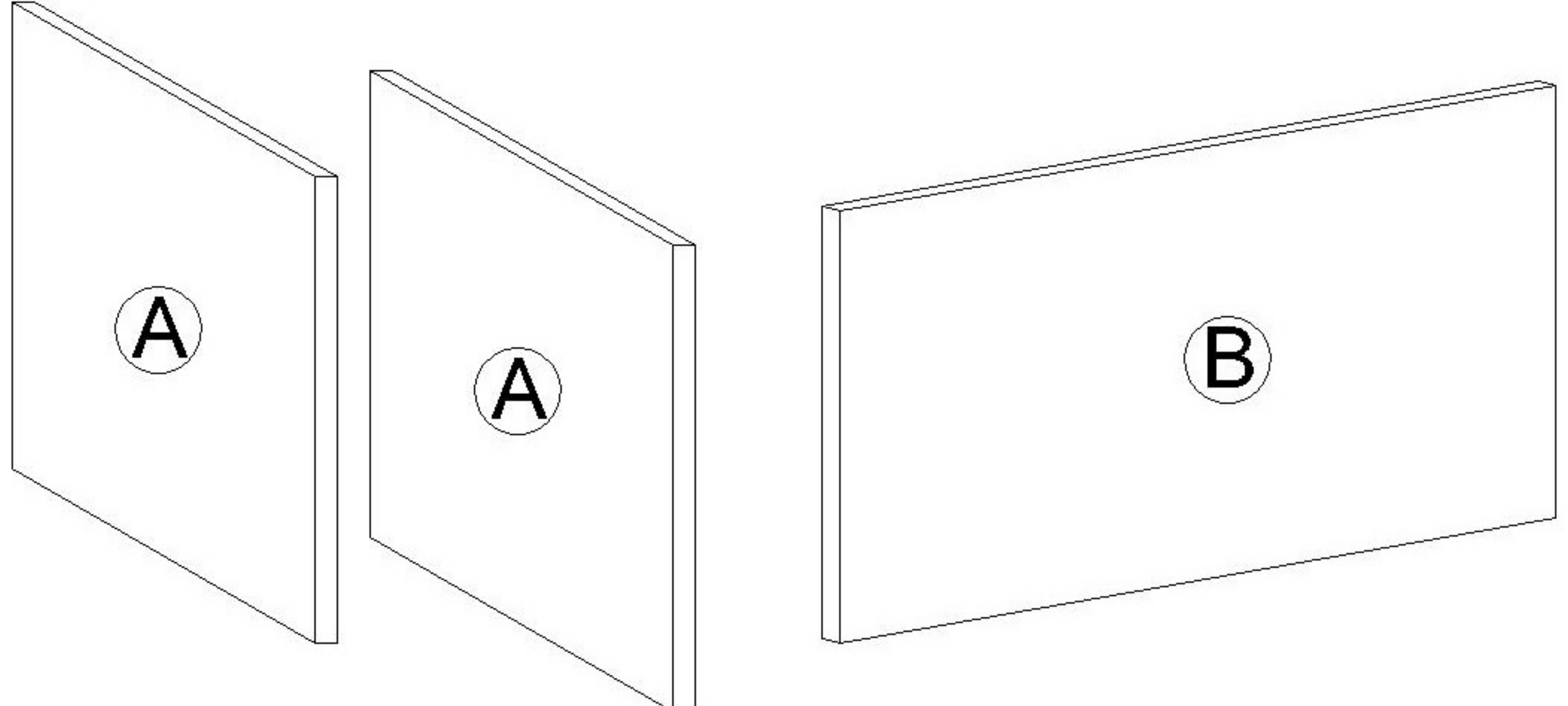


Note: 30" and 36" Height Cabinets Have 2 Shelves  
42" Height Cabinet Has 3 Shelves (Shown in Picture)

# Assembling Instruction for Wine Rack Cabinet

AVAILABLE TYPE : WRC3015 WRC3018 WRC 3615 WRC3618

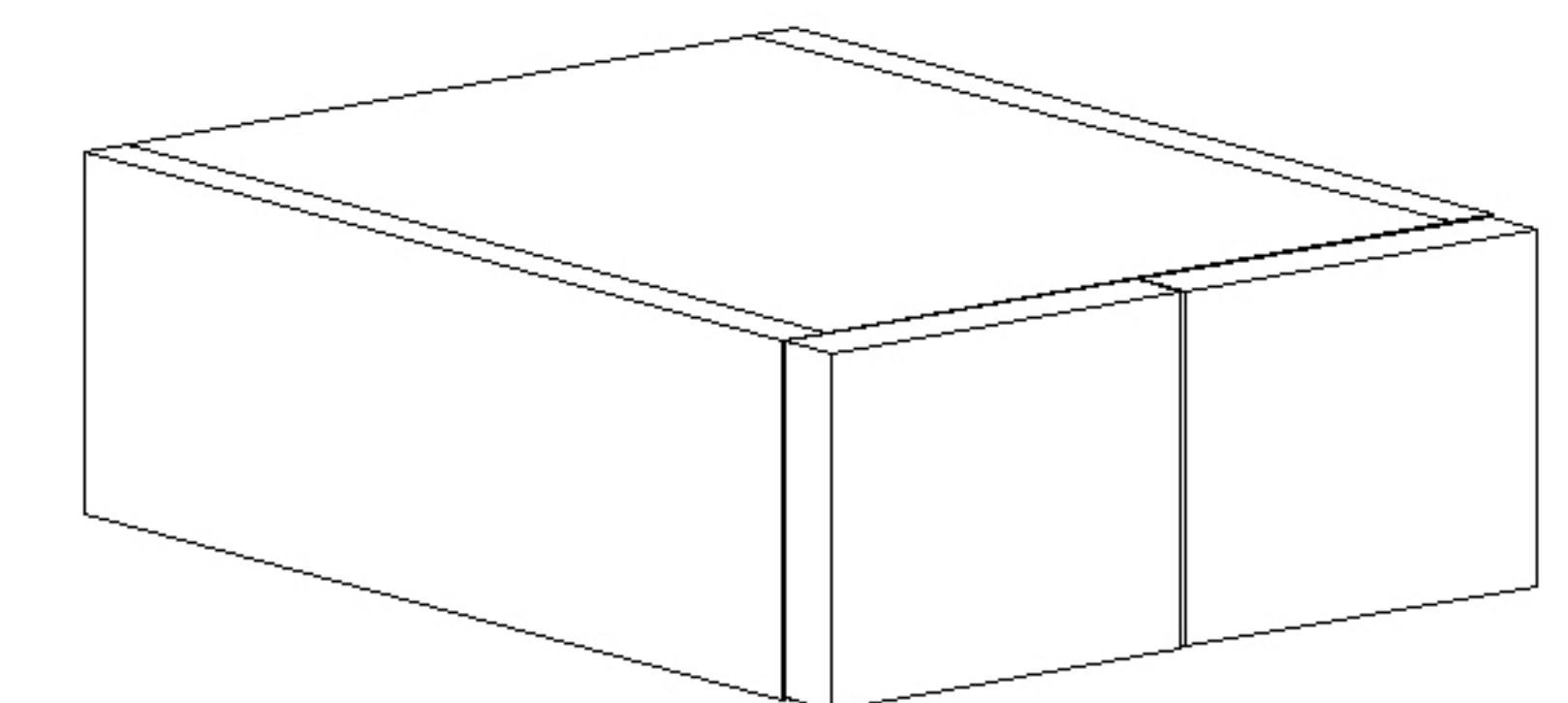
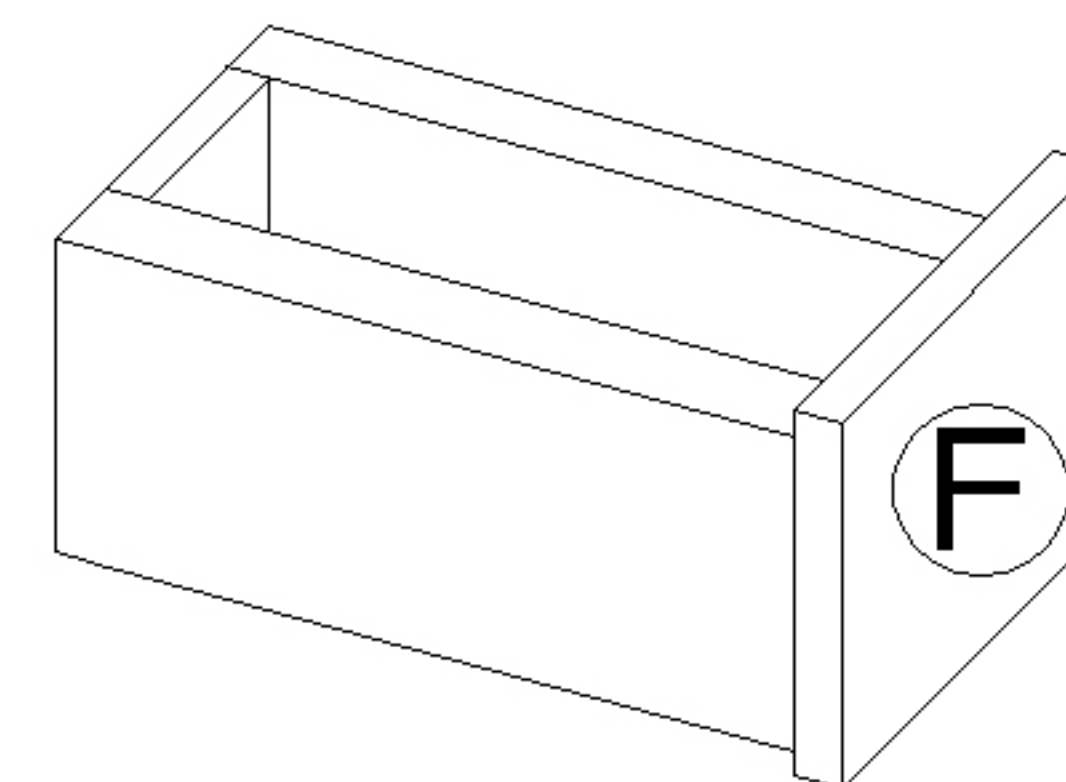
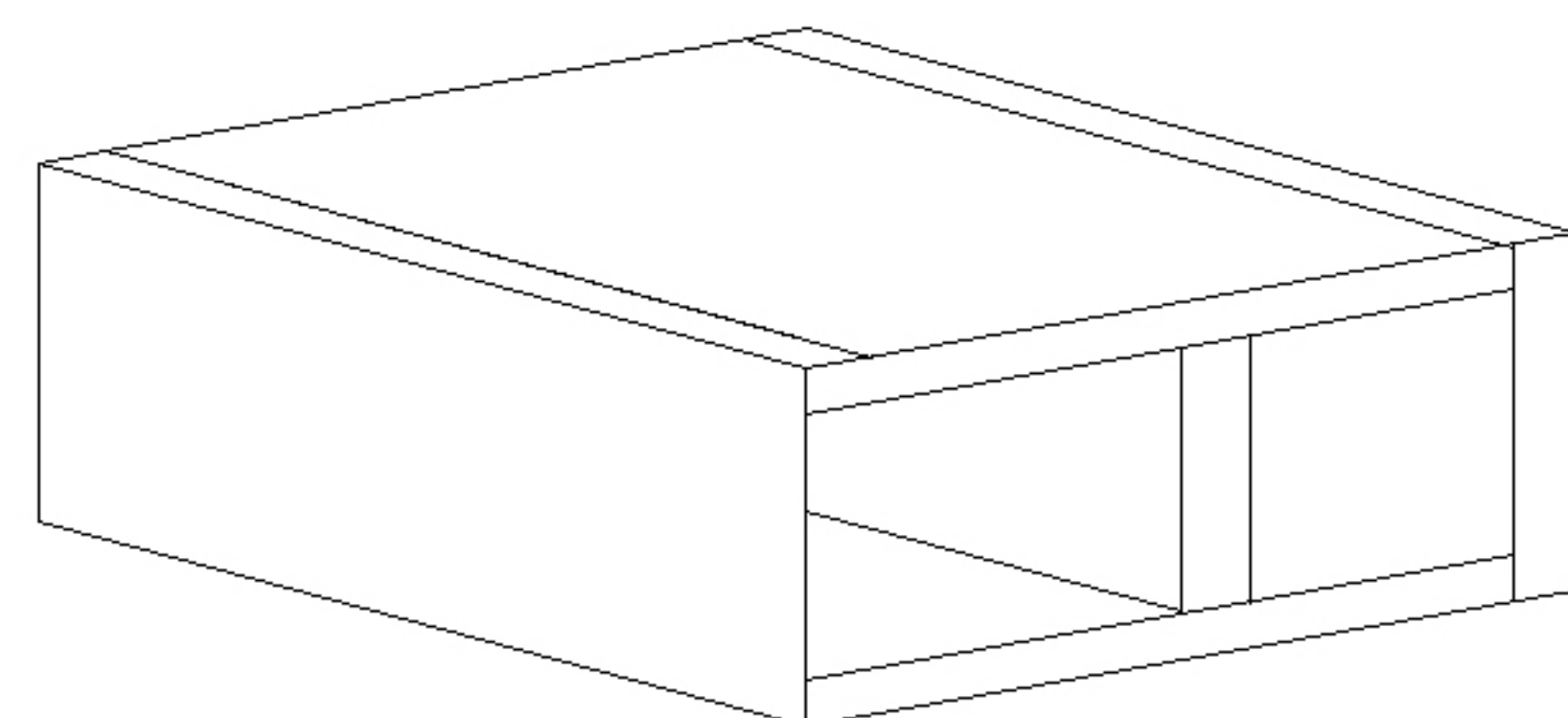
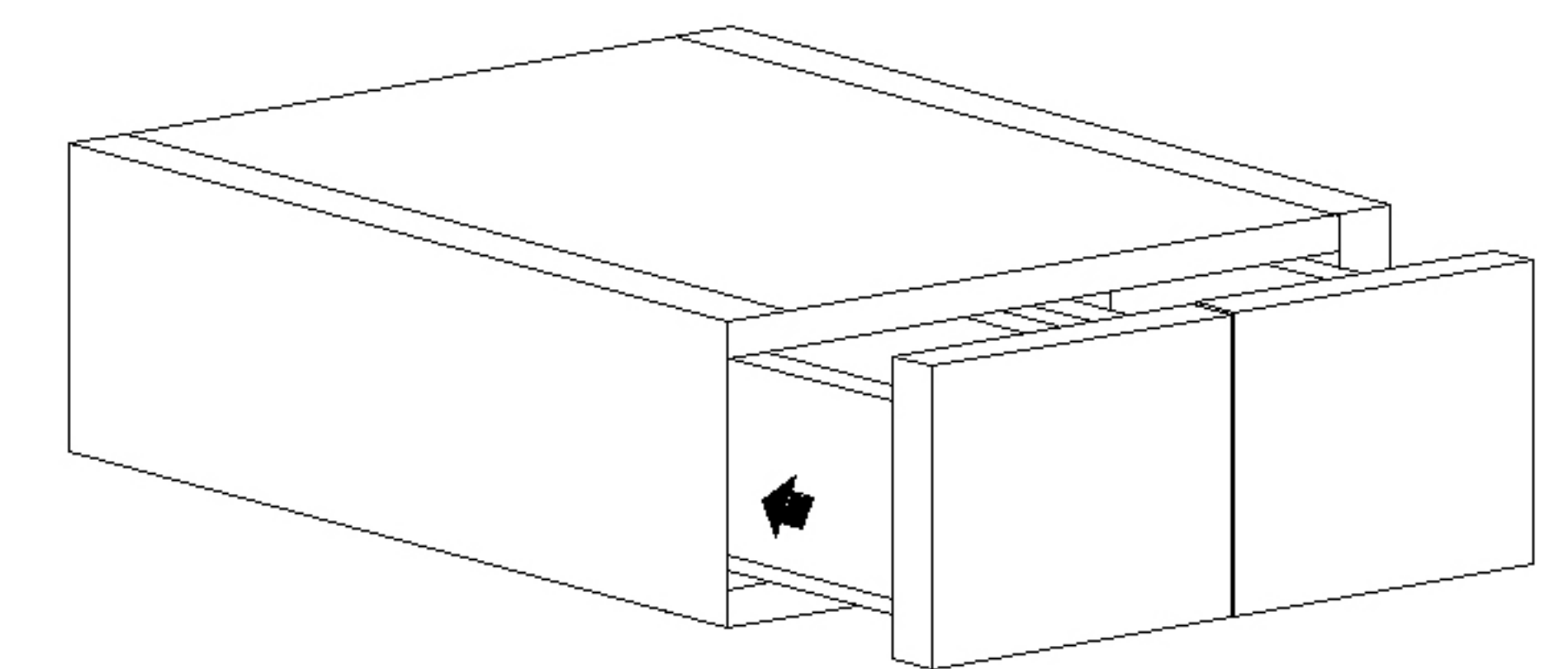
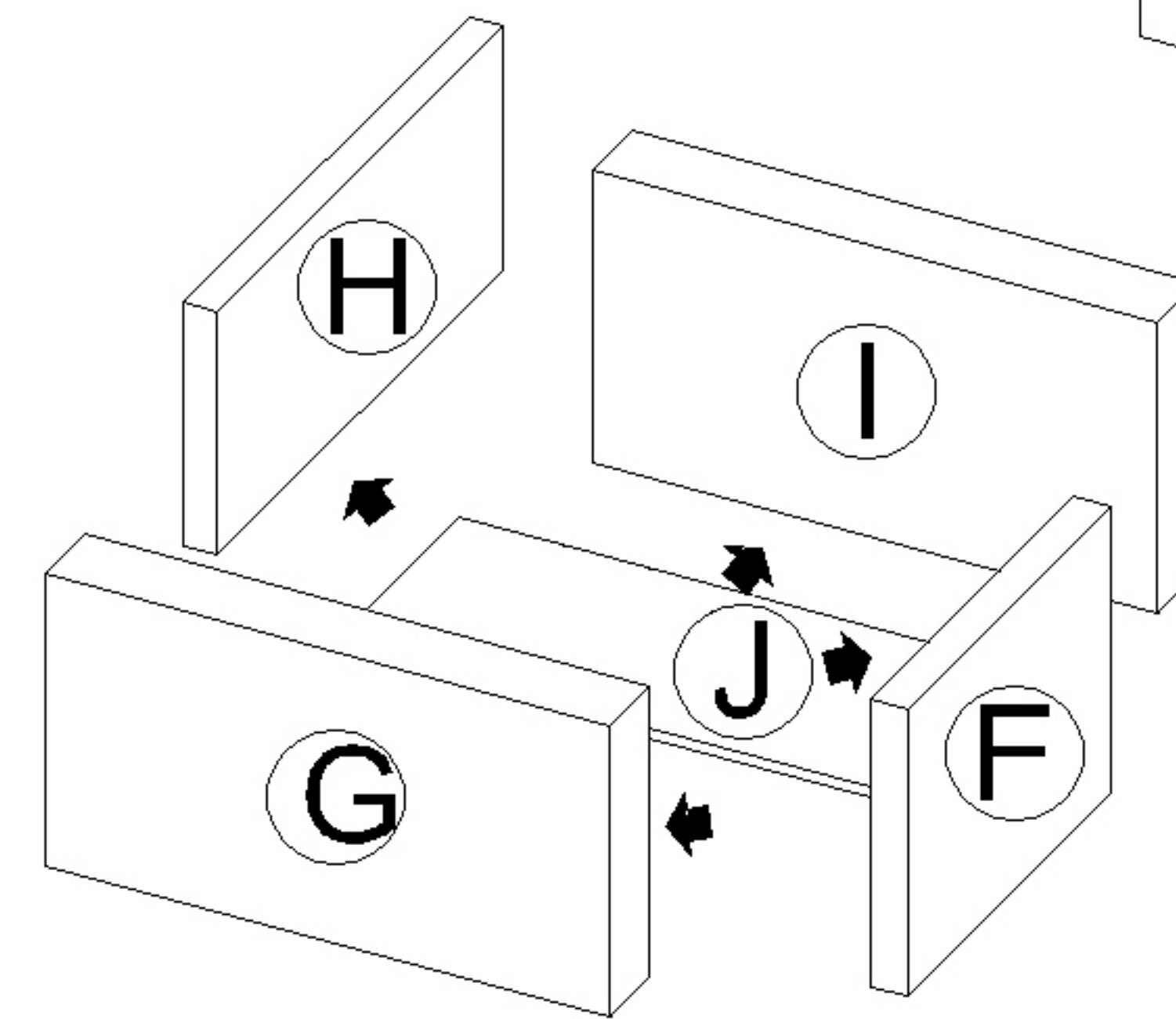
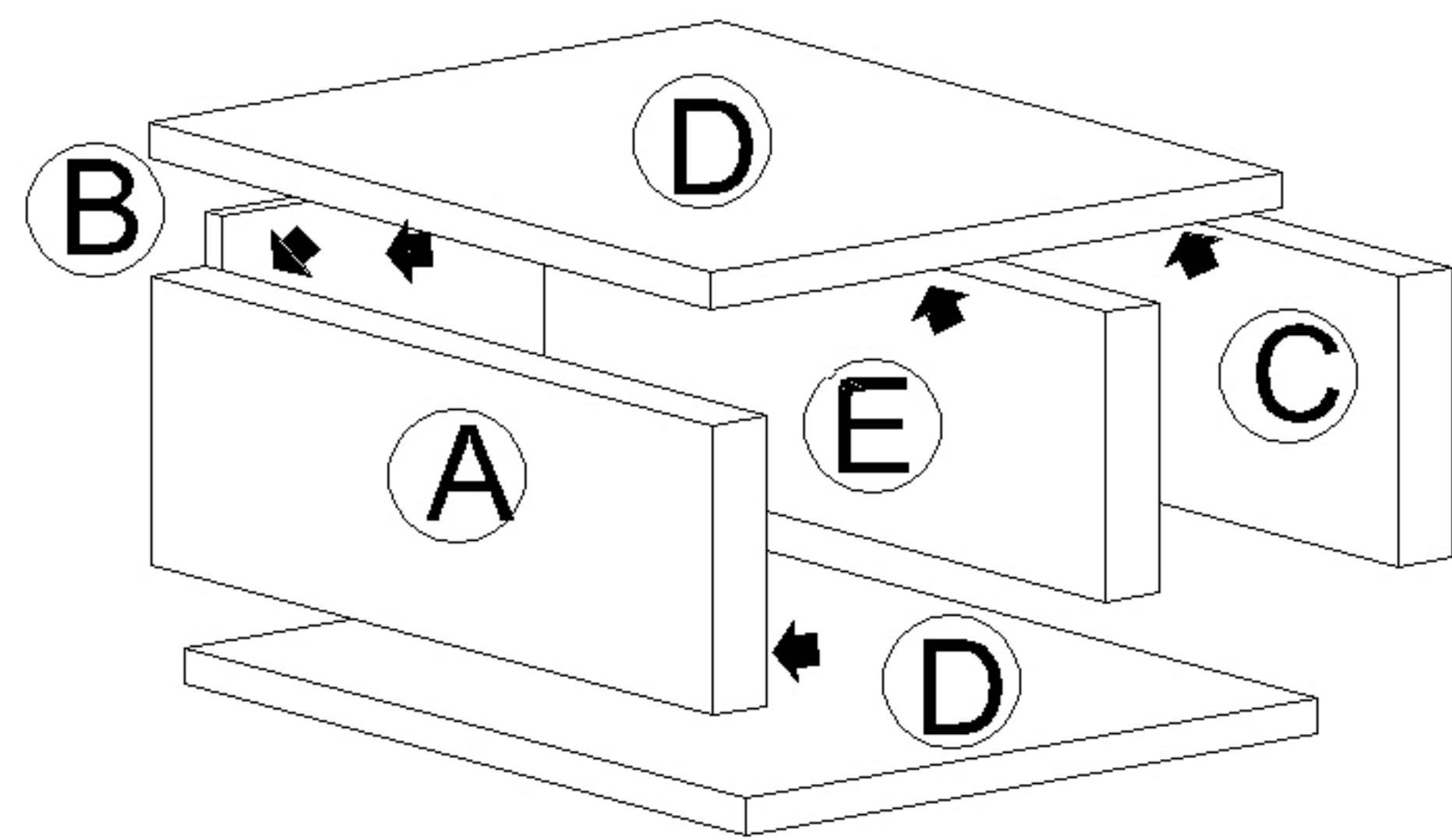
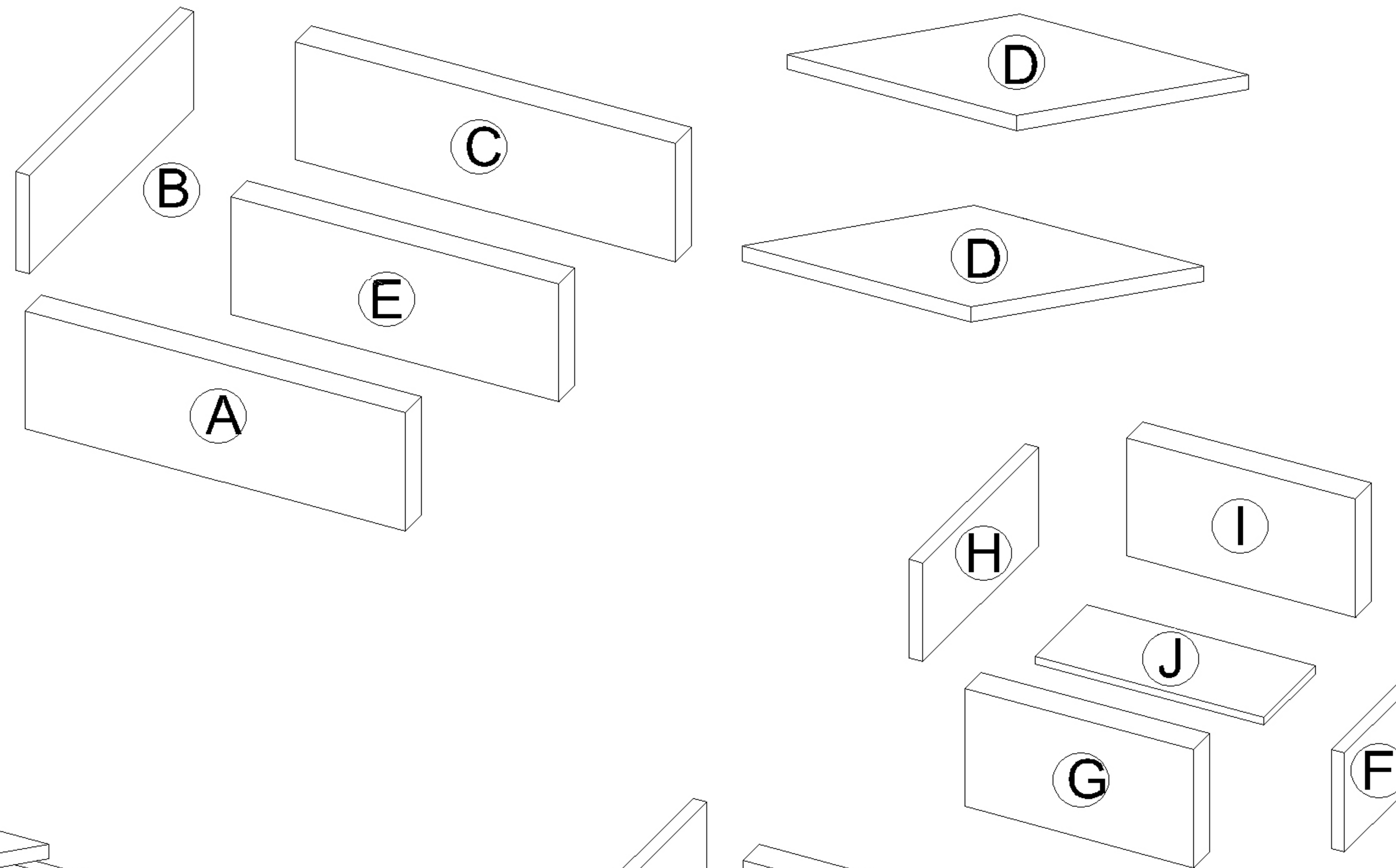
- A: Side Panel
- B: Back Panel
- C: Top and Bottom Panel
- D: Inside Rack
- E: Outside Rack



# Assembling Instruction For Frame Wall Spice Drawer Cabinet

AVAILABLE TYPE: WSD1206

- A: Side Panel (Left)
- B: Back Panel
- C: Side Panel (Right)
- D: Top and Bottom Panel 2pcs
- E: Divider Panel
- F: Drawer Face 2pcs
- G: Drawer Box Panel (Left)
- H: Drawer Box Panel (Back)
- I: Drawer Box Panel (Right)
- J: Drawer Box Panel (Bottom)

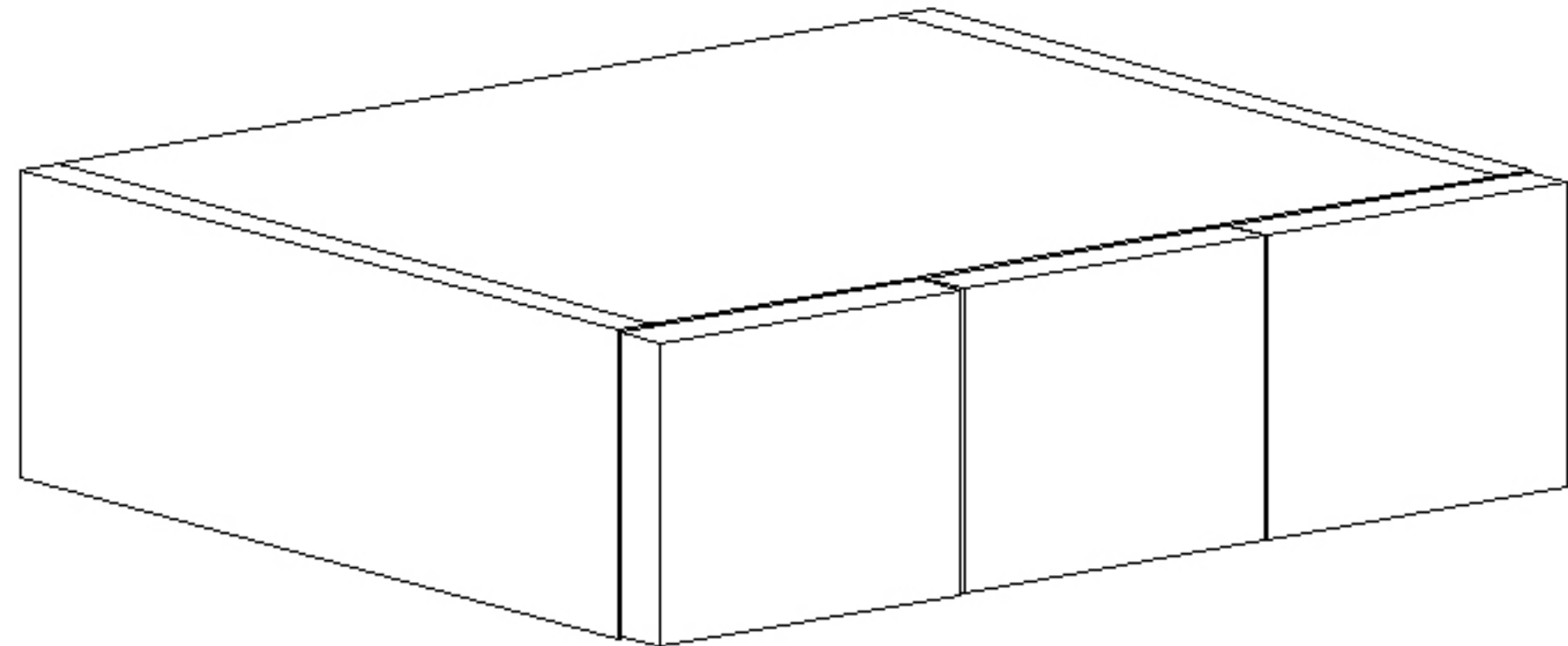
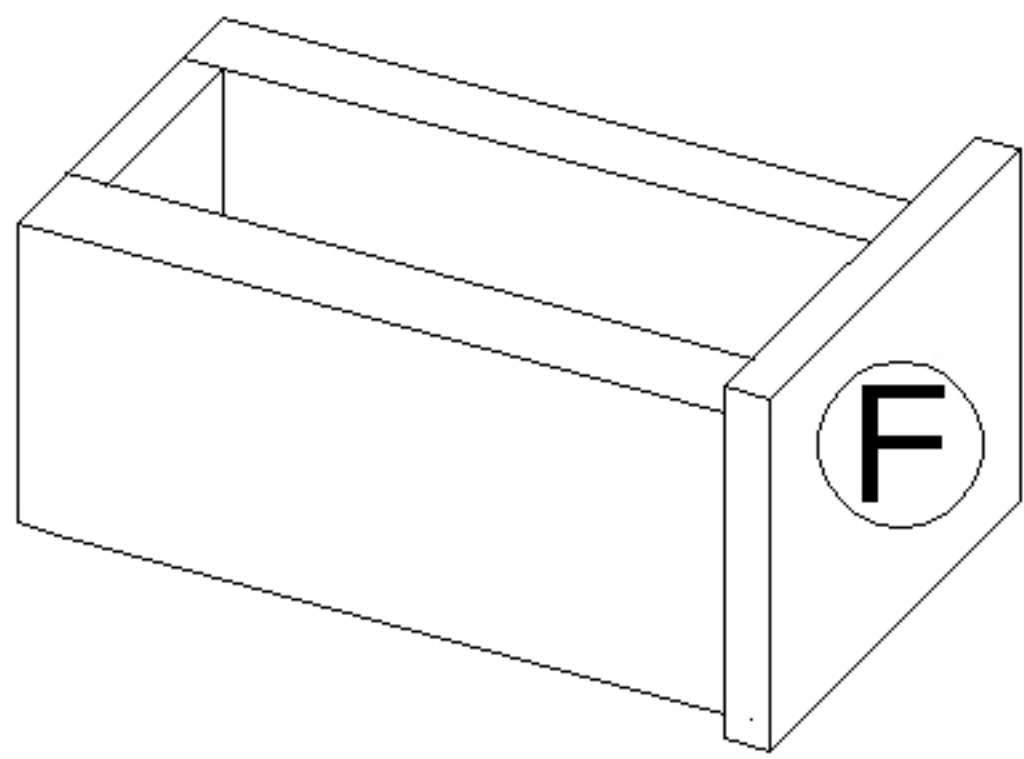
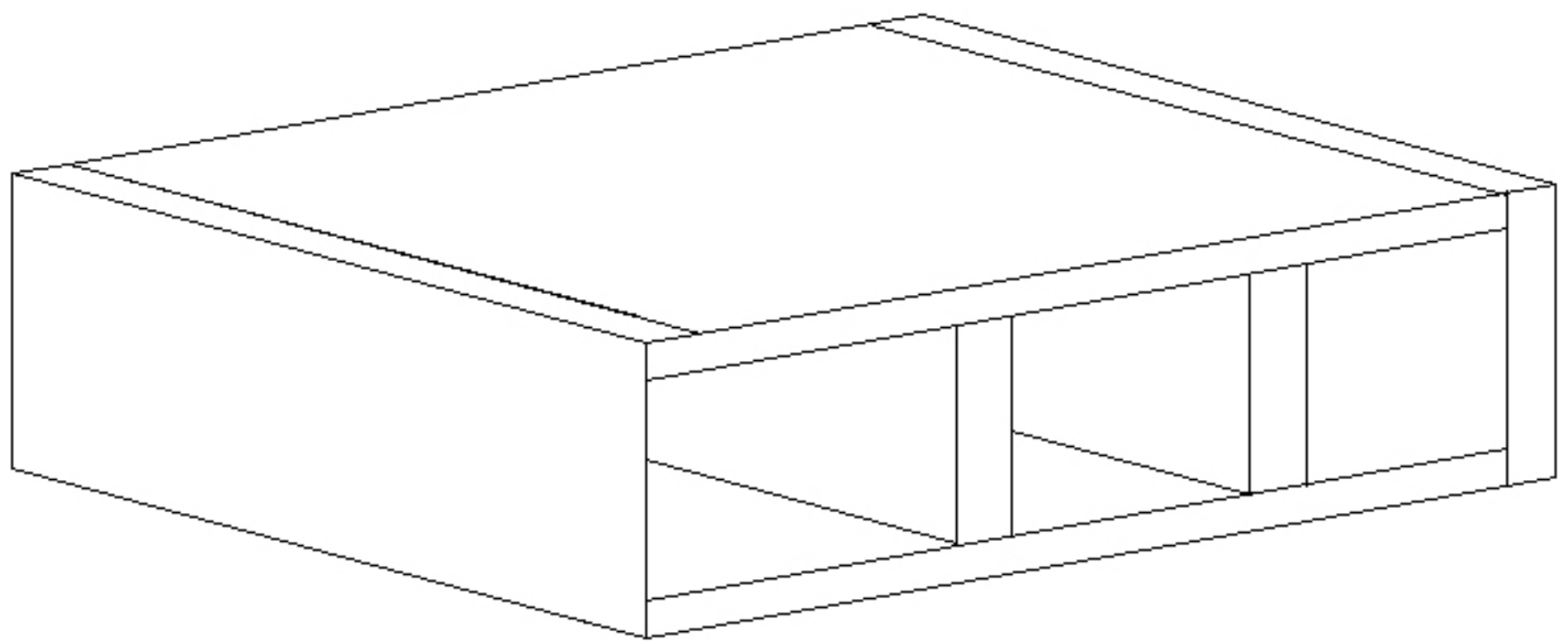
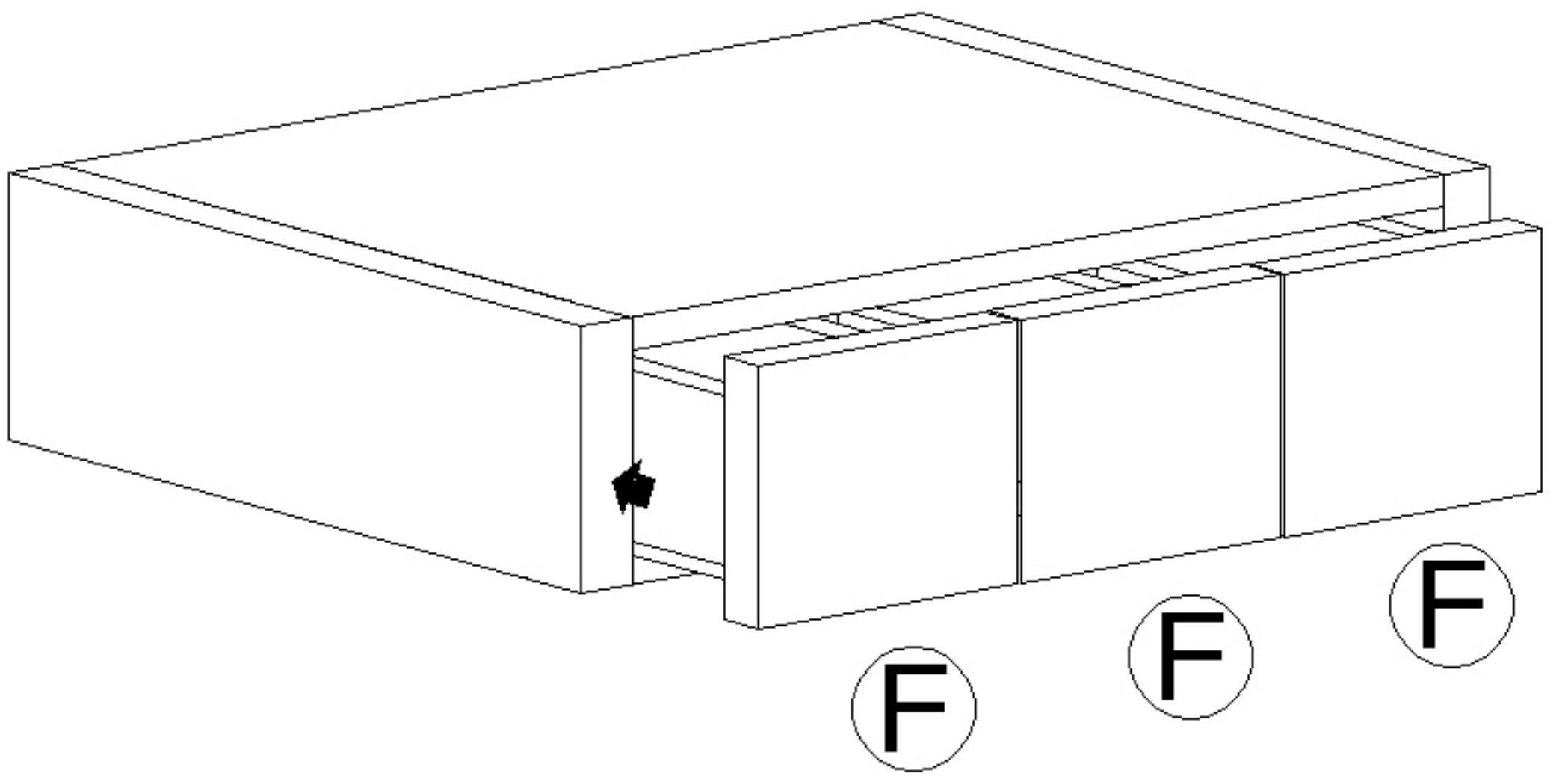
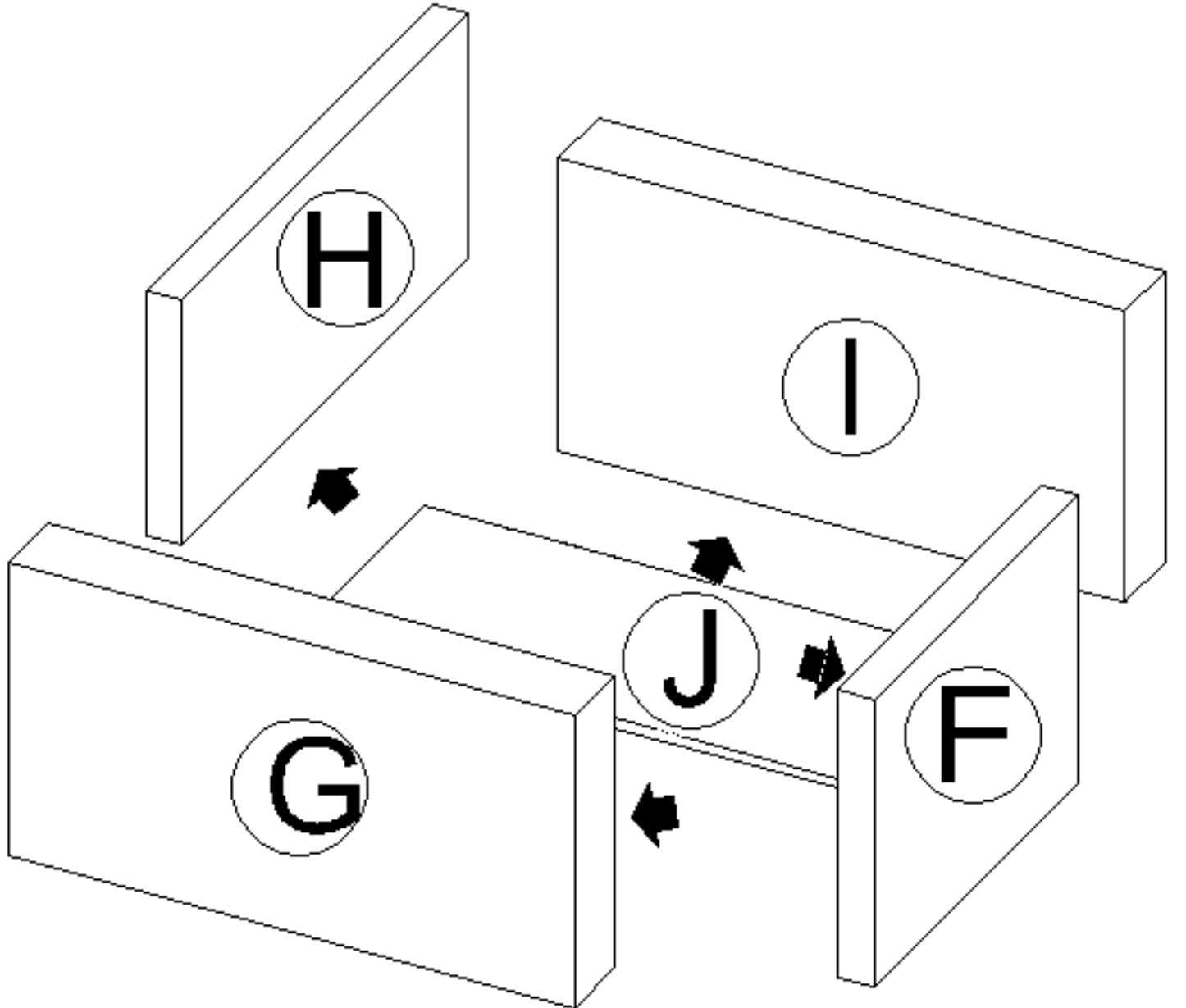
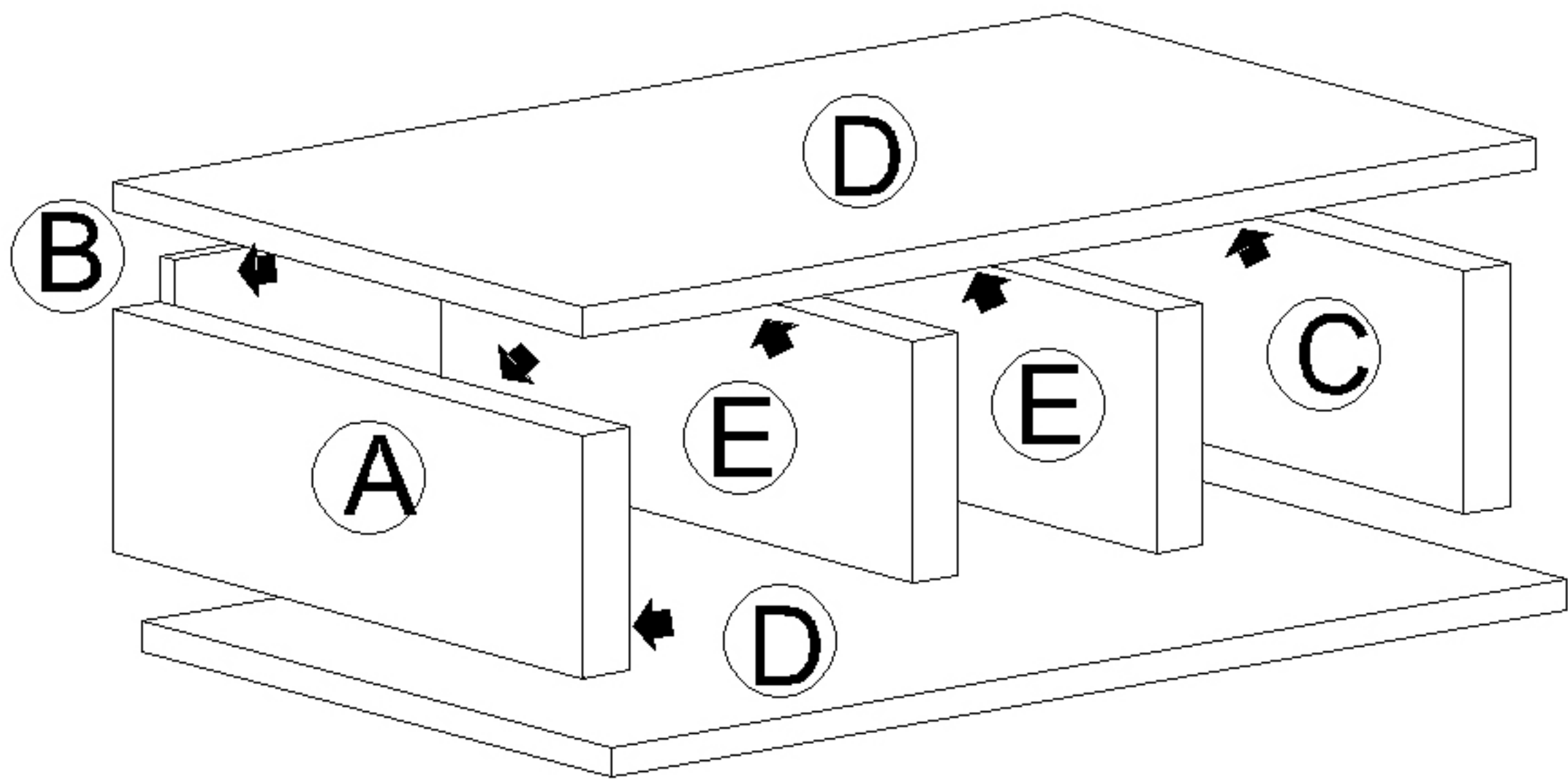
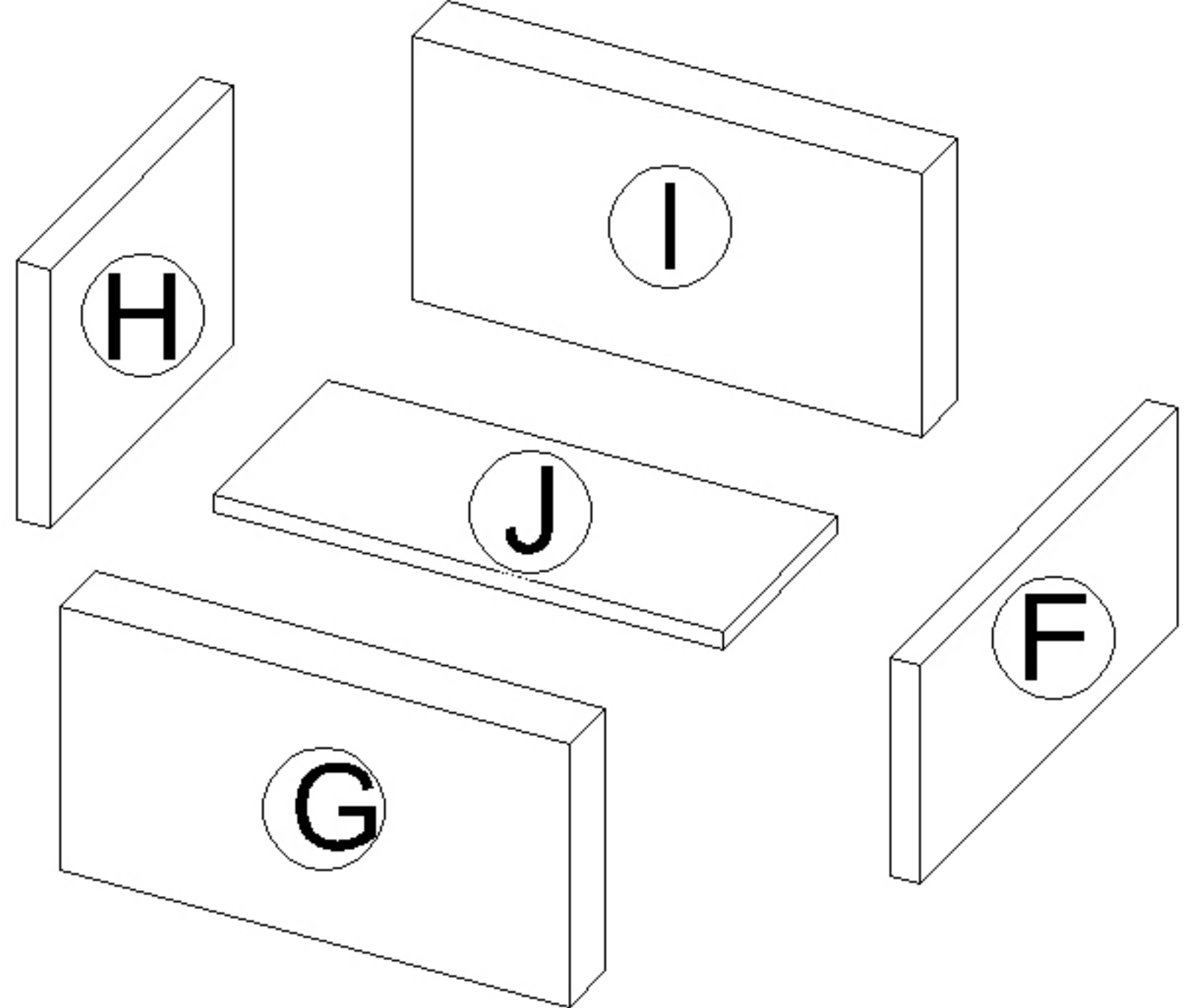
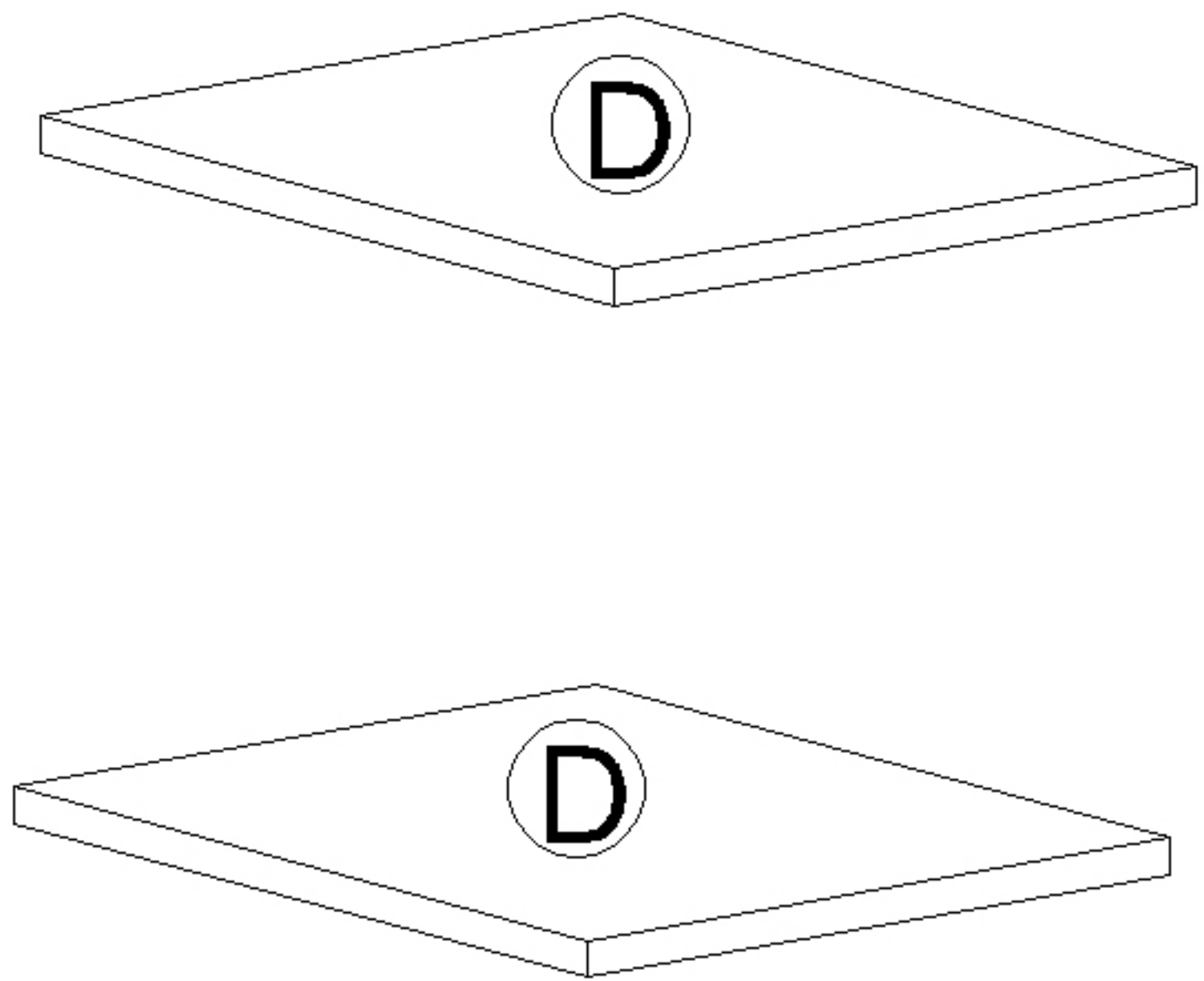
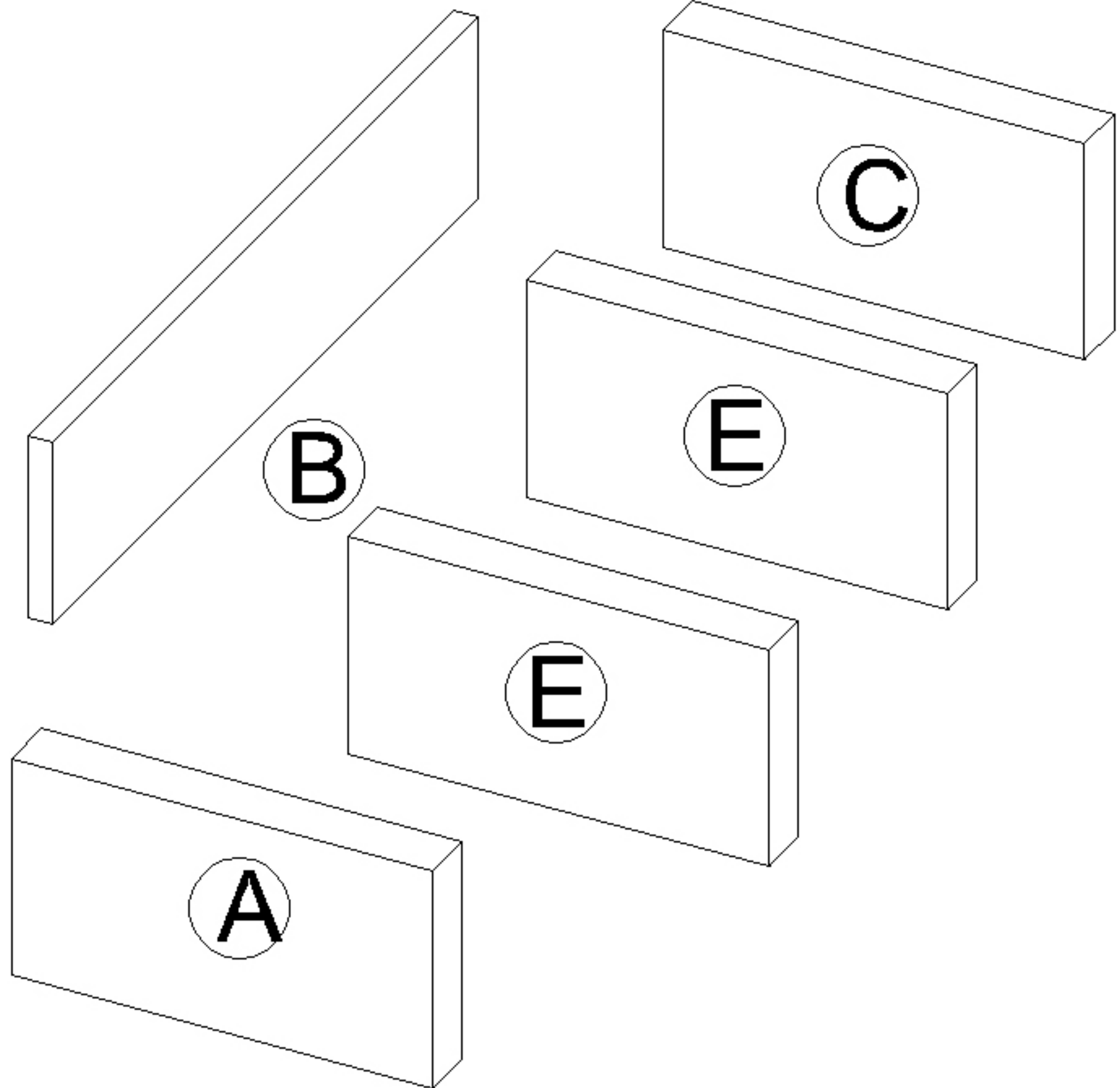




# Assembling Instruction For Frame Wall Spice Drawer Cabinet

AVAILABLE TYPE: WSD1806

- A: Side Panel (Left)
- B: Back Panel
- C: Side Panel (Right)
- D: Top and Bottom Panel 2pcs
- E: Divider Panel 2pcs
- F: Drawer Face
- G: Drawer Box Panel (Left)
- H: Drawer Box Panel (Back)
- I: Drawer Box Panel (Right)
- J: Drawer Box Panel (Bottom)



# Assembling Instruction for Frame Wall Wine Rack X

AVAILABLE TYPE: WRX1818 WRX2424

- A: Side Panel 2pcs
- B: Back Panel
- C: Top and Bottom Panel
- D: Face Frame
- E: Rack 2pcs

